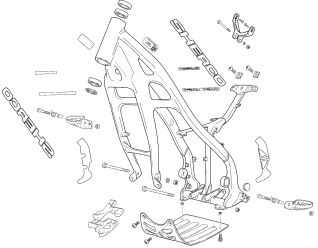
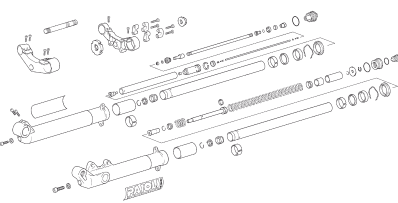
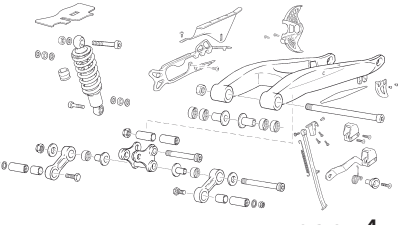
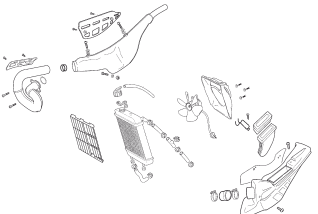
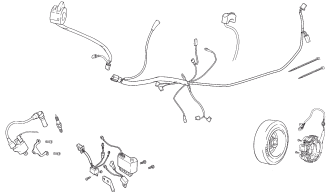
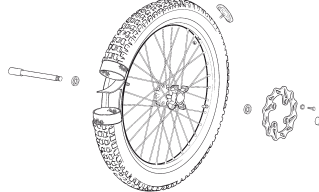
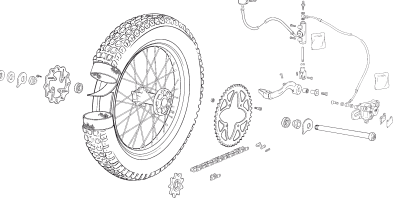
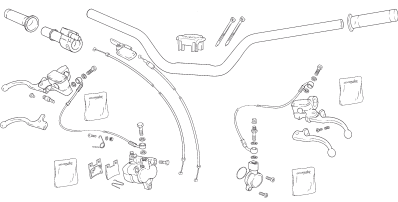
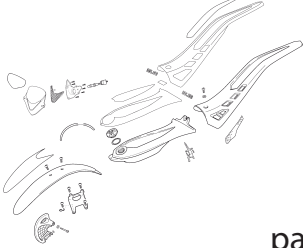
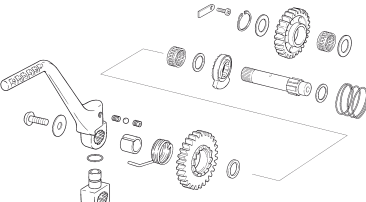
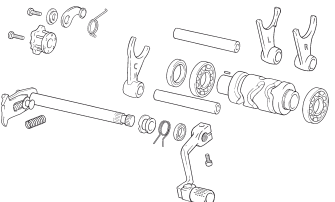
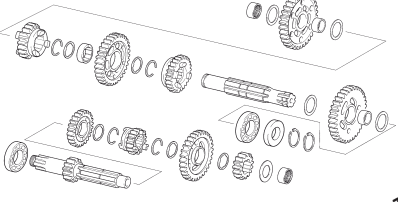
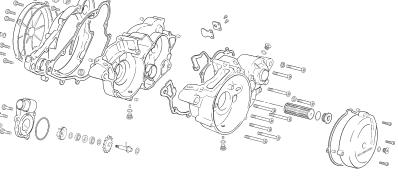
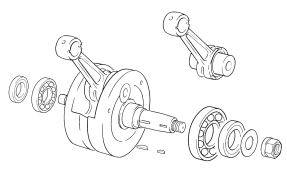
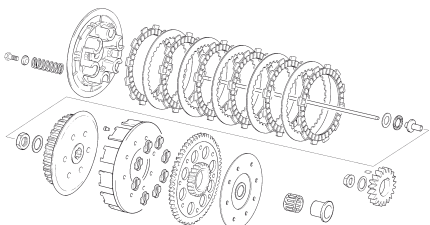


Spare part's book **2007**

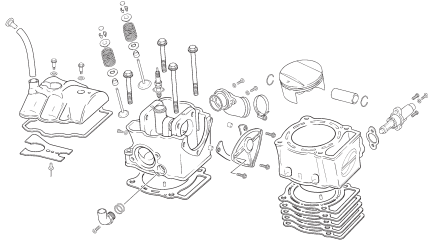
Trial **4T** *3.2*

Trial

SHERCO
Motorcycles

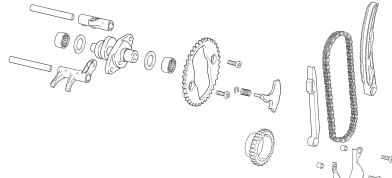
| | | |
|--|--|--|
| <p>1 Cadre / Frame / Chasis</p>  <p>pag. 1</p> | <p>2 Fourche / Fork / Horquilla</p>  <p>pag. 2 - 3</p> | <p>3 Amortisseur - Bras oscillant / Rear Shock - Swingarm / Amortiguador - Basculante</p>  <p>pag. 4 - 5</p> |
| <p>4 Radiateur / Radiator / Radiador</p>  <p>pag. 6</p> | <p>5 Faisceau électrique / Electrical system / Instalación eléctrica</p>  <p>pag. 7</p> | <p>6 Roue avant / Front wheel / Rueda delantera</p>  <p>pag. 8</p> |
| <p>7 Roue arriere / Rear wheel / Rueda trasera</p>  <p>pag. 9 - 10</p> | <p>8 Guidon / Handlebar / Manillar</p>  <p>pag. 11</p> | <p>9 Plastiques / Plastics / Plásticos</p>  <p>pag. 12</p> |
| <p>10 Lanceur / Kick strater assembly / Sistema arranque</p>  <p>pag. 13</p> | <p>11 Selecteur / Gear selector group / Selector cambio</p>  <p>pag. 14</p> | <p>12 Boite a vitesses / Gear set / Cambio</p>  <p>pag. 15</p> |
| <p>13 Groupe carters / Crankcase assembly / Grupo carters</p>  <p>pag. 16 - 17</p> | <p>14 Villebrequin assemble / Crankshaft assembly / Cigüeñal biela</p>  <p>pag. 18</p> | <p>15 Embrayage / Clutch / Embrague</p>  <p>pag. 19</p> |

16 Culasse / Cylinder head / Culata



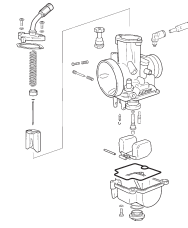
pag. 20 - 21

17 Distribution / Camshaft and drive assembly / Distribución



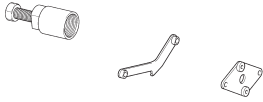
pag. 22

18 Carburateur / Carburetor / Carburador



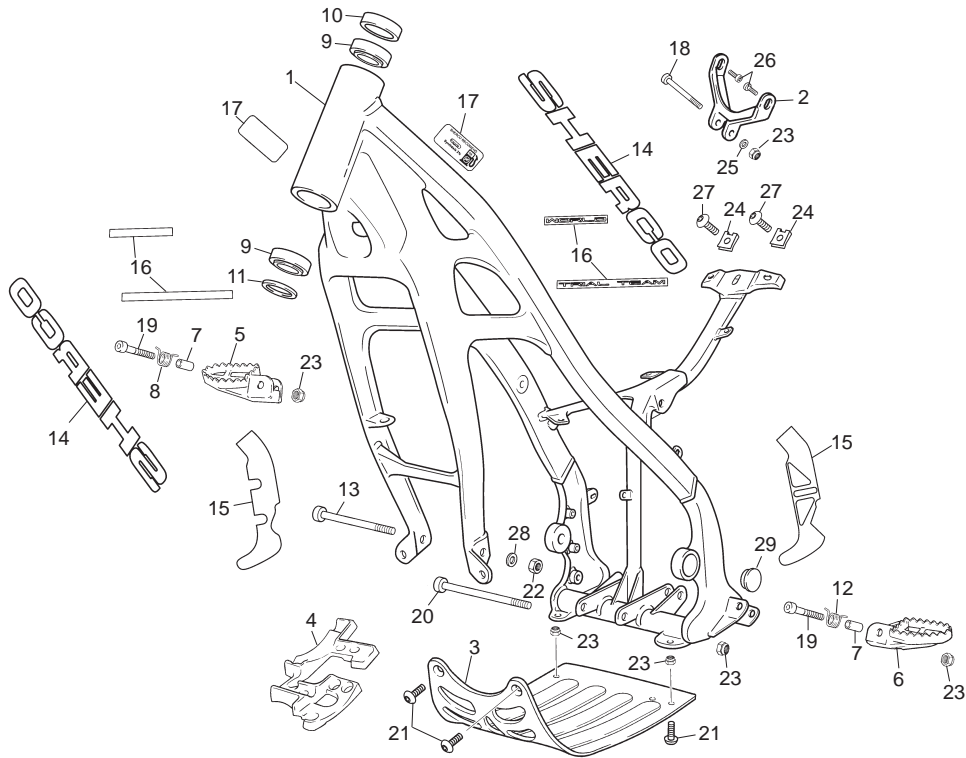
pag. 23 - 24

19 Outillage / Tools / Utiliajes



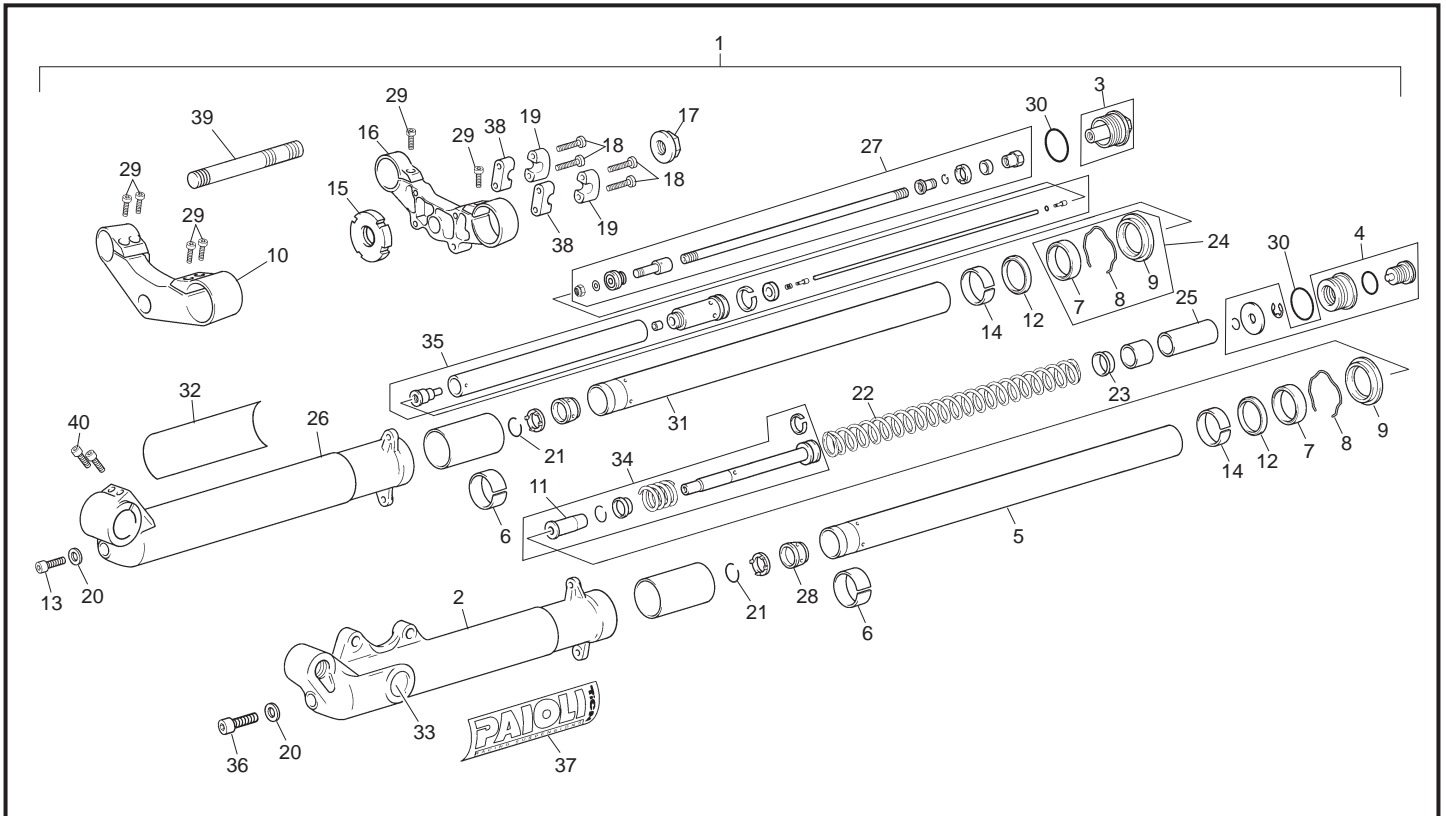
pag. 25

Cadre / Frame / Chasis



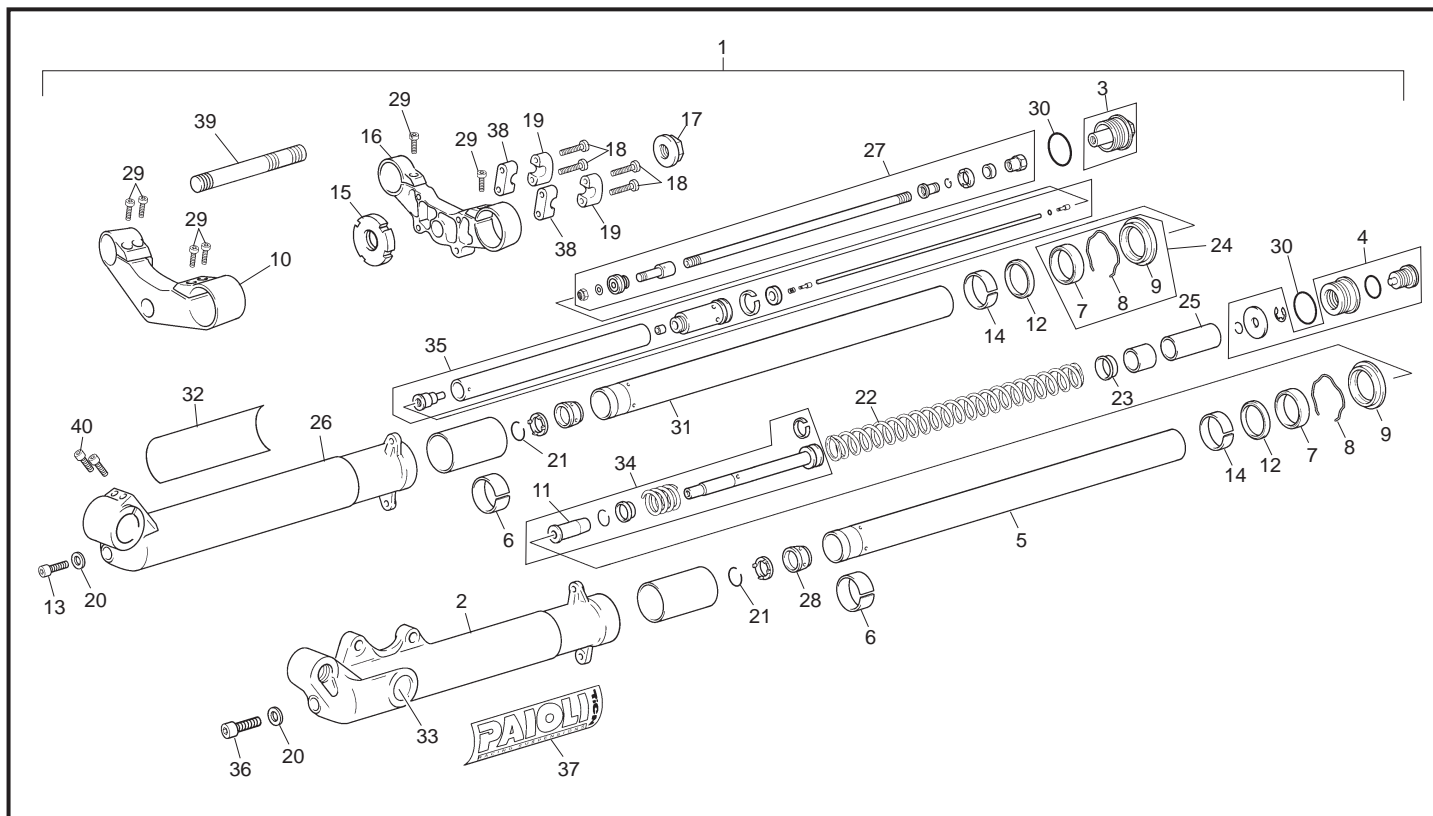
| POS. | 3.2 | FRANÇAIS | ENGLISH | ESPAÑOL |
|------|------|------------------------------------|------------------------------|--------------------------------|
| 1 | 1151 | CADRE | FRAME | CHASIS |
| 2 | C661 | PATE FIXATION CULASSE 4T | CYLINDER HEAD SUPPORT 4T | SOPORTE CULATA 4T |
| 3 | C003 | SABOT | BASH PLATE | PLACA MOTOR |
| 4 | C578 | CAOUTCHOUC MOTEUR | BASH PLATE RUBBER | CAUCHO PLACA MOTOR |
| 5 | C707 | REPOSE PIED DROITE | RIGHT FOOTREST | ESTRIBERA DERECHA |
| 6 | C708 | REPOSE PIED GAUCHE | LEFT FOOTREST | ESTRIBERA IZQUIERDA |
| 7 | C755 | ENTRETOISE REPOSE PIED | FOOTREST BUSHING | CASQUILLO ESTRIBERA |
| 8 | C008 | RESSORT REPOSE PIED DROITE | RIGHT FOOTPEG | MUELLE ESTRIBERA DERECHA |
| 9 | C009 | ROULEMENT COLONNE DIRECTION | STEERING BEARING | COJINETE DIRECCIÓN R32004 |
| 10 | C010 | BAGUE DE PROTECTION HAUTE PLASTIC | PLASTIC DUST COVER | GUARDA POLVO SUPERIOR PLÁSTICO |
| 11 | C011 | BAGUE DE PROTECTION BASSE | WASHER | GUARDA POLVO INFERIOR |
| 12 | C012 | RESSORT DE REPOSE PIED GAUCHE | LEFT FOOTPEG SPRING | MUELLE ESTRIBERA IZQUIERDA |
| 13 | M296 | AXE MOTEUR AV | FRONT ENGINE BOLT | TORNILLO MOTOR |
| 14 | 1220 | SHERCO RESINE | SHERCO DECAL | ADHESIVO CHASIS SHERCO GOTA |
| 15 | C709 | ADESIF PROTECTION CADRE PAIRE 06 | STICKER PROTECTOR PAIR 06 | ADHESIVO PROT. CHASIS JUEGO 06 |
| 16 | C752 | ADESIF W TRIAL TEAM 06 | W TRIAL TEAM STICKER 06 | ADHESIVO W TRIAL TEAM 06 |
| 17 | C393 | ADESIF IPONE | STICKER IPONE | ADHESIVO IPONE |
| 18 | M263 | VIS CHC 8x40 | SCREW CHC 8x40 | TORNILLO M8X40 DIN 912 |
| 19 | M264 | VIS CHC 8x45 | SCREW CHC 8x45 | TORNILLO M8X45 DIN 912 |
| 20 | 1323 | VIS CHC 10x85 | SCREW CHC 10x85 | TORNILLO M10X85 DIN 912 |
| 21 | M301 | VIS FHC 8x20 | SCREW FHC 8x20 | TORNILLO M8X20 DIN 7991 |
| 22 | M304 | ECROU NYLSTOP M10 | NUT NYLSTOP M10 | TUERCA NYLSTOP M10 |
| 23 | M305 | ECROU NYLSTOP M8 | NUT NYLSTOP M8 | TUERCA NYLSTOP M8 |
| 24 | M308 | ECROU CLIP M6 | NUT CLIP M6 | TUERCA CLIP M6 |
| 25 | M316 | RONDELLE X8 | WASHER X8 | ARANDELA X8 DIN 125 B |
| 26 | M344 | VIS CHC 8X16 TETE BASSE | SCREW M8X16 DIN 6912 | TORNILLO M8X16 DIN 6912 |
| 27 | M345 | VIS BHC 6X12 CAROSSERIE | SCREW | TORNILLO CARROCEÍA M6X12 |
| 28 | M315 | RONDELLE X10 DIN 1405 010 | WASHER X10 | ARANDELA X10 DIN 125 A |
| 29 | C165 | BOUCHON AXE BRAS OSCILLANT DIAM 35 | COVER SWING ARM AXLE DIAM 35 | TAPÓN EJE BASCULANTE DIAM 35 |

Fourche / Fork / Horquilla



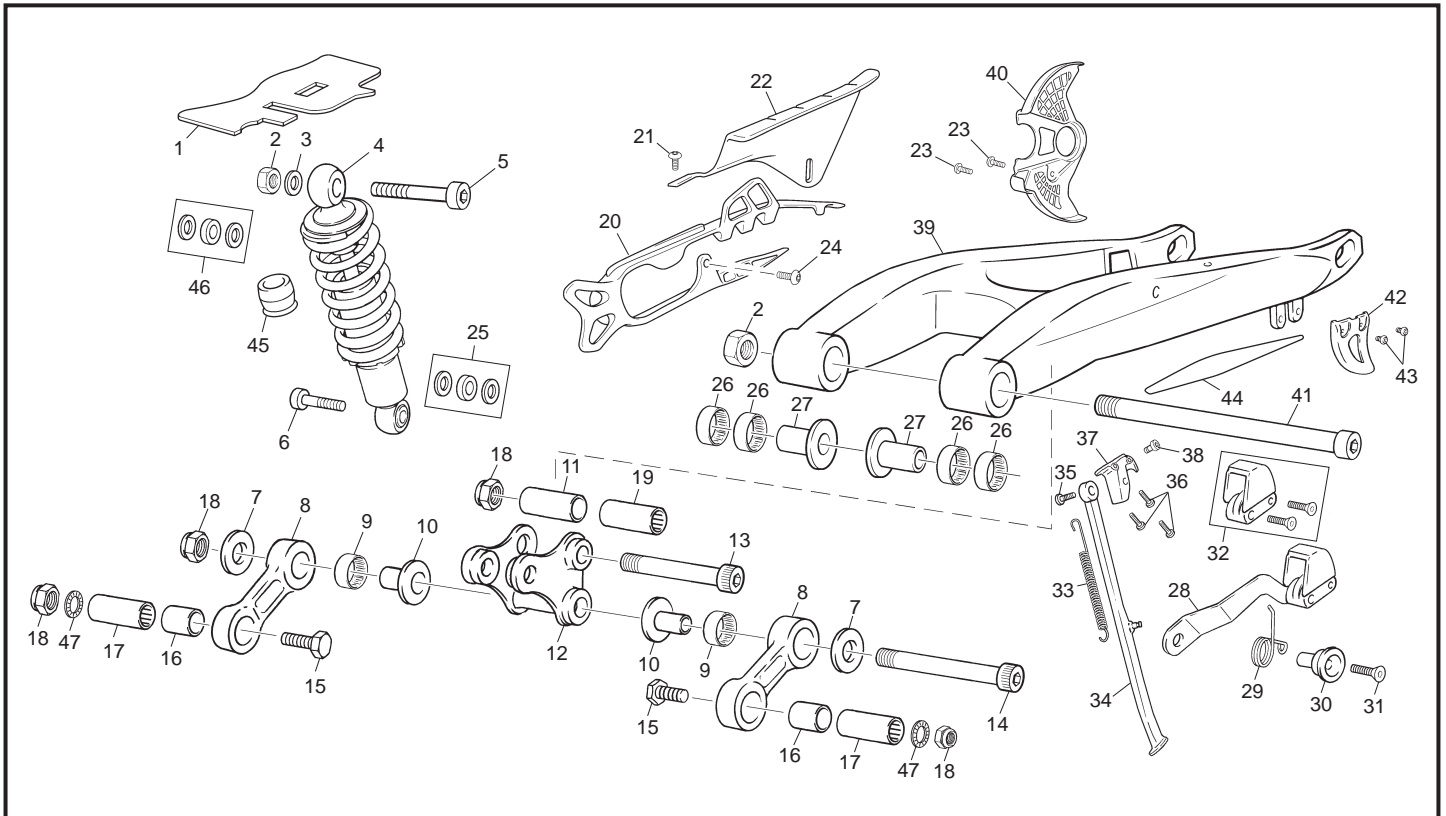
| POS. | 3.2 | FRANÇAIS | ENGLISH | ESPAÑOL |
|------|------|--------------------------------|---------------------------|-------------------------------|
| 1 | 1226 | FOURCHE CPL | FRONT FORK COMPLETE | SUSPENSIÓN DELANTERA COMPLETA |
| 2 | R104 | GROUPE JAMBE GAUCHE FOURCHE | FORK LEG (LEFT) | BOTELLA IZQUIERDA |
| 3 | 1058 | BOUCHON DROITE | FORK CAP RIGTH | TAPÓN DERECHO |
| 4 | 1057 | BOUCHON GAUCHE | FORK LEFT | TAPÓN IZQUIERDO |
| 5 | 1056 | TUBE FOURCHE GAUCHE | FORK TUBE LEFT | BARRA IZQUIERDO |
| 6 | R134 | ENTRETOISE DU | SPACER | CASQUILLO DU |
| 7 | R070 | JOINT SPIE DE FOURCHE | FORK OIL SEAL | RETÉN |
| 8 | R113 | CIRCLIP JOINT SPIE | CIRCLIP OIL SEAL | CIRCLIP RETÉN |
| 9 | R096 | PARE POUSSIERE FOURCHE | DUST SEAL | GUARDAPOLVO |
| 10 | 1199 | GROUPE T DE FOURCHE INFERIEUR | BOTTOM PLATE | PLATINA INF. |
| 11 | R223 | CONE | CONE | CONO |
| 12 | R131 | RONDELLE APUIE | WASHER FORK | ARANDELA APOYO |
| 13 | R224 | VIS CHC 10X30 FOURCHE | BOLT M10X30 | TORNILLO M10X30 D.912 |
| 14 | R133 | DU JAMBE 2000 | SPACER | CASQUILLO DU BOTELLA |
| 15 | 1170 | RONDELLE ECROU AXE DIRECTION | RING NUT | TUERCA DIRECCIÓN |
| 16 | 1200 | T DE FOURCHE SUPERIEUR | UPPER PLATE | PLATINA SUPERIOR |
| 17 | R108 | ECROU SUPERIEUR | NUT | TUERCA SUPERIOR |
| 18 | 1237 | VIS CHC M8X35 | BOLT M8X35 | TORN. ALLEN M8X35 D.912 |
| 19 | 1197 | BRIDE GUIDON SUPERIEURE 07 | TOP BAR U-CLAMP 07 | BRIDA SUPERIOR MANILLAR 07 |
| 20 | R226 | RONDELLE 10X17X1,5 FURCHE 2001 | WASHER 10X17X1,5 | ARANDELA 10X17X1.5 |
| 21 | R227 | ANEAU ELASTIQUE | NUT | ANILLO ELÁSTICO |
| 22 | 1063 | RESSORT FOURCHE | SPRING | MUELLE |
| 23 | R111 | ENTRETOISE RESSORT FOURCHE | TOP BUSHING | TOPE MUELLE |
| 24 | R071 | GROUPE GARNITURE FOURCHE COMP. | FORK BUSHING AND SEAL KIT | KIT REPARACIÓN RETÉN |
| 25 | R132 | ENTRETOISE DU | SPACER | SEPARADOR DU |
| 26 | R105 | GROUPE JAMBE DROITE FOURCHE | FORK LEG (RIGHT) | BOTELLA DERECHA |
| 27 | R228 | VALVE DE COMPRESSION | PLASTIC COMPRESSION VALVE | VÁLVULA DE COMPR. |
| 28 | R135 | RONDELLE APPUI RESSORT 2000 | SPRING COLLAR | APOYO MUELLE |
| 29 | M261 | VIS CHC 8X20 | SCREW CHC 8X20 | TORNILLO 8X20 ALLEN |
| 30 | R230 | TORIQUE FOURCHE | O.RING | TÓRICA CIERRE |
| 31 | 1060 | TUBE DROITE NOIR | FORCK TUBE RIGHT | TUBO DRE. NEGRO |
| 32 | 1061 | ADESIF PAIOLI DROITE | STICKER PAIOLI RIGHT | ADH. PAIOLI DERECHO |
| 33 | C186 | ADESIF LOGO PAIOLI RESINE | PAIOLI LOGO STICKER | PAIOLI REDONDO |
| 34 | 1055 | GRUOPE POMPE | GROUP POMP | GRUPO BOMBA |

Fourche / Fork / Horquilla



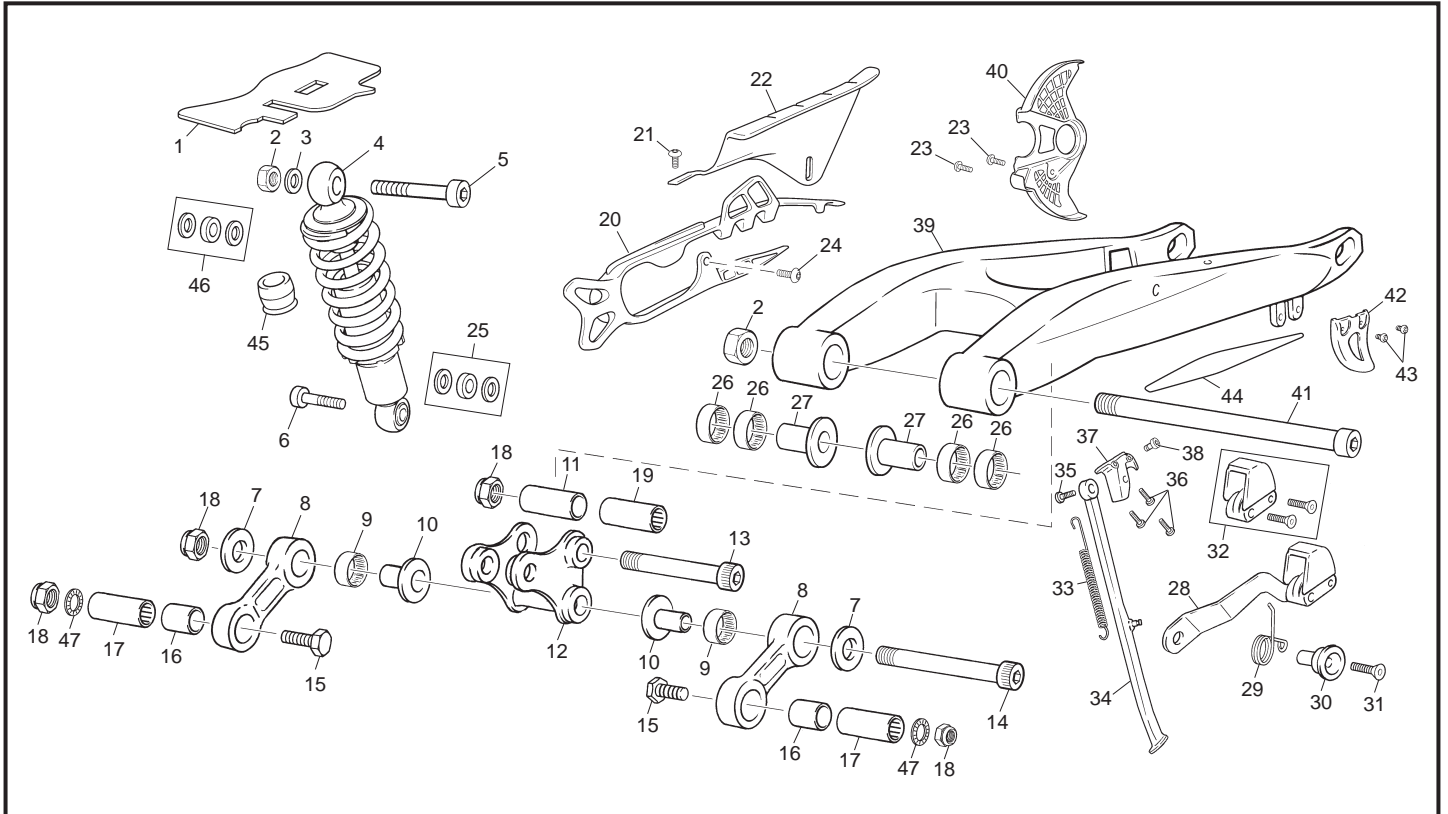
| POS. | 3.2 | FRANÇAIS | ENGLISH | ESPAÑOL |
|------|------|--------------------------|-------------------------------|--------------------------------|
| 35 | 1059 | GROUPE CARTOUCHE | PLUNGER ASSEMBLY | CONJ. BOMBEO |
| 36 | C465 | VIS 10X30 FILETE INT. | SCREW | TORNILLO M10X30 CON ROSCA INT. |
| 37 | 1062 | ADESIF PAIOLI GAUCHE | STICKER PAIOLI LEFT | ADH. PAIOLI IZQ. |
| 38 | 1198 | BRIDE INFERIEUR TRIAL 07 | U-CLAMP INF. HANDBAR TRIAL 07 | BRIDA INFE. TRIAL 07 |
| 39 | 1166 | AXE ALUMINIUM | AXIS ALUMINIUM | EJE ALUMINIO |
| 40 | 0547 | VIS TH EP 6 X 30 | SCREW TH EP 6 X 30 | TORNILLO TH EP 6 X 30 |

Amortisseur - Bras oscillant / Rear Shock - Swingarm / Amortiguador - Basculante

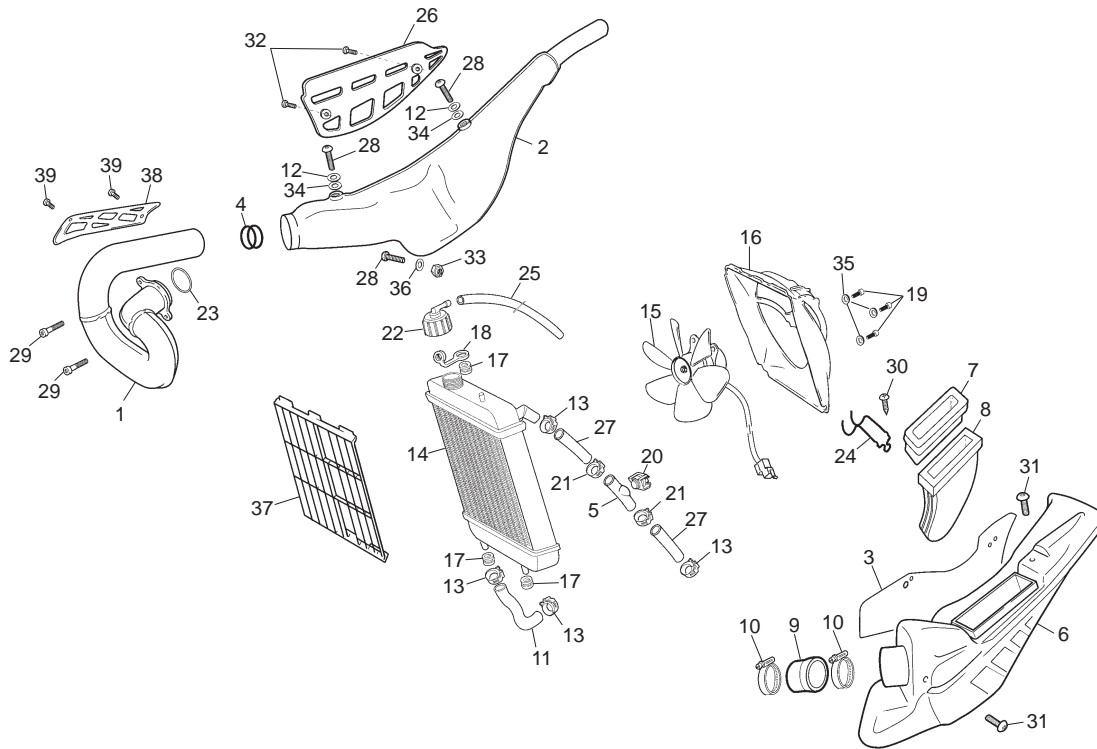


| POS. | 3.2 | FRANÇAIS | ENGLISH | ESPAÑOL |
|------|------|--|-----------------------------------|--------------------------------------|
| 1 | C686 | PROTECTEUR AMORTISSEUR | PROTECTOR | PROTECTOR AMORTIGUADOR |
| 2 | M310 | ECROU NYLSTOP M10 | NUT NYLSTOP M10 | TUERCA NYLSTOP M10 |
| 3 | M315 | RONDELLE X 10 1405 010 | WASHER X 10 | ARANDELA X 10 DIN 125 A |
| 4 | 1092 | AMORTISSEUR TRIAL | REAR SHORK TRIAL | AMORTIGUADOR TRIAL |
| 5 | M259 | VIS CHC 10 X 50 0084 | SCREW CHC 10 X 50 | TORNILLO 10 X 50 ALLEN |
| 6 | C173 | AXE 10 X 42 | PIN10 X 42 | EJE 10 X 42 |
| 7 | M320 | RONDELLE 10 X 30 X 2.5 0416 | WASHER 10 X 30 X 2.5 | ARANDELA 10 X 30 X2,5 DIN 9021 |
| 8 | C157 | BIELETTE TIRANT SIMPLE | REAR SUSPENSION LINK | BIELETA SUSPENSION |
| 9 | C168 | DOUILLE AIGUILLE TIRANT HK16162 RS | DOUILLE AIGUILLE TIRANT HK16162RS | CASQUILLO AGUJAS BIELETA HK16162RS |
| 10 | C171 | ENTRETOISE ARTICULATION BRAS | SPACER SWING ARM | CASQUILLO EJE BASCULANTE |
| 11 | C152 | ENTRETOISE SUSPENSION | SPACER SUSPENSION | CASQUILLO SUSPENSIÓN |
| 12 | C729 | BIELETTE DELTA 2004 | REAR SUSPENSION DELTA LINK 2004 | TRAPECIO SUSPENSIÓN 2004 |
| 13 | C174 | AXE 10 X 72 | PIN 10 X 72 | EJE 10 X 72 |
| 14 | C172 | AXE 10 X 1250 | PIN 10 X 120 | EJE 10 X 120 |
| 15 | C175 | VIS HEXA TETE BASSE | SPECIAL HEAD SCREW HEX | TORNILLO HEX C/REBAJADA |
| 16 | C170 | ENTRETOISE TIRANT | LINK SPACER | CASQUILLO BIELETA |
| 17 | C169 | DOUILLE AIGUILLE TIRANT HK14162 RS | BEARING HK14162RS | CASQUILLO AGUJAS BIELETA HK14162RS. |
| 18 | M305 | ECROU NYLSTOP M8 0368.8 | NUT NYLSTOP M8 | TUERCA NYLSTOP M8 |
| 19 | C167 | DOILL. AIGUILLE BRAS/ SUSP HK16X20X2RS | BEARING HK 16202RS | CASQUILLO AGUJAS BAS/SUSP HK16202RS |
| 20 | 1207 | PATIN DE CHAINE | CHAIN GUIDE PLATE | PATÍN CADENA |
| 21 | M258 | VIS BHC 5 X16 1093 | SCREW BHC 5X16 | TORNILLO 5X16 ULS |
| 22 | 1208 | CARTER DE CHAINE | CHAIN PROTECTOR | CUBRECADENAS |
| 23 | M282 | VIS BHC 6X10 | SCREW BHC 6X10 | TORNILLO 6X10 ULS |
| 24 | M278 | VIS BHC 5X10 | SCREW BHC 5X10 | TORNILLO BHC 5X10 |
| 25 | 1118 | KIT ROTULE 06 | KIT | KIT ROTULA 06 |
| 26 | C151 | DOUILLE AIGUILLE BRAS HK 20X20X2 RS | BEARING HK 20X20X2RS | CASQUILLO AGUJAS BASCU. HK 20X20X2RS |
| 27 | C153 | ENTRETOISE ARTICULATION BRAS | SPACER SWING ARM | CASQUILLO EJE BASCULANTE |
| 28 | C164 | TENDEUR DE CHAINE | CHAIN TENSIONER | ENSOR CADENA |
| 29 | R205 | RESSORT TENDEUR DE CHAINE | SPRING CHAIN TENSIONER | MUELLE TENSOR CADENA |
| 30 | R206 | ENTRETOISE TENDEUR DE CHAINE | SPECER CHAIN ADJUST | CASQUILLO TENSOR CADENA |
| 31 | M300 | VIS FHC 8 X 35 1089 | SCREW FHC 8 X 35 | TORNILLO AVELLANADO M8 X 35 |
| 32 | R047 | CAOUTCHOUC TENDEUR SEUL | CHAIN STRETCHER PLATE | GOMA TENSOR CADENA |
| 33 | C161 | RESSORT DE BEQUILLE | SIDE STAND SPRING | MUELLE CABALLETE |
| 34 | S131 | BEQUILLE SEULE | LATERAL STAND | CABALLETE |

Amortisseur - Bras oscillant / Rear Shock - Swingarm / Amortiguador - Basculante

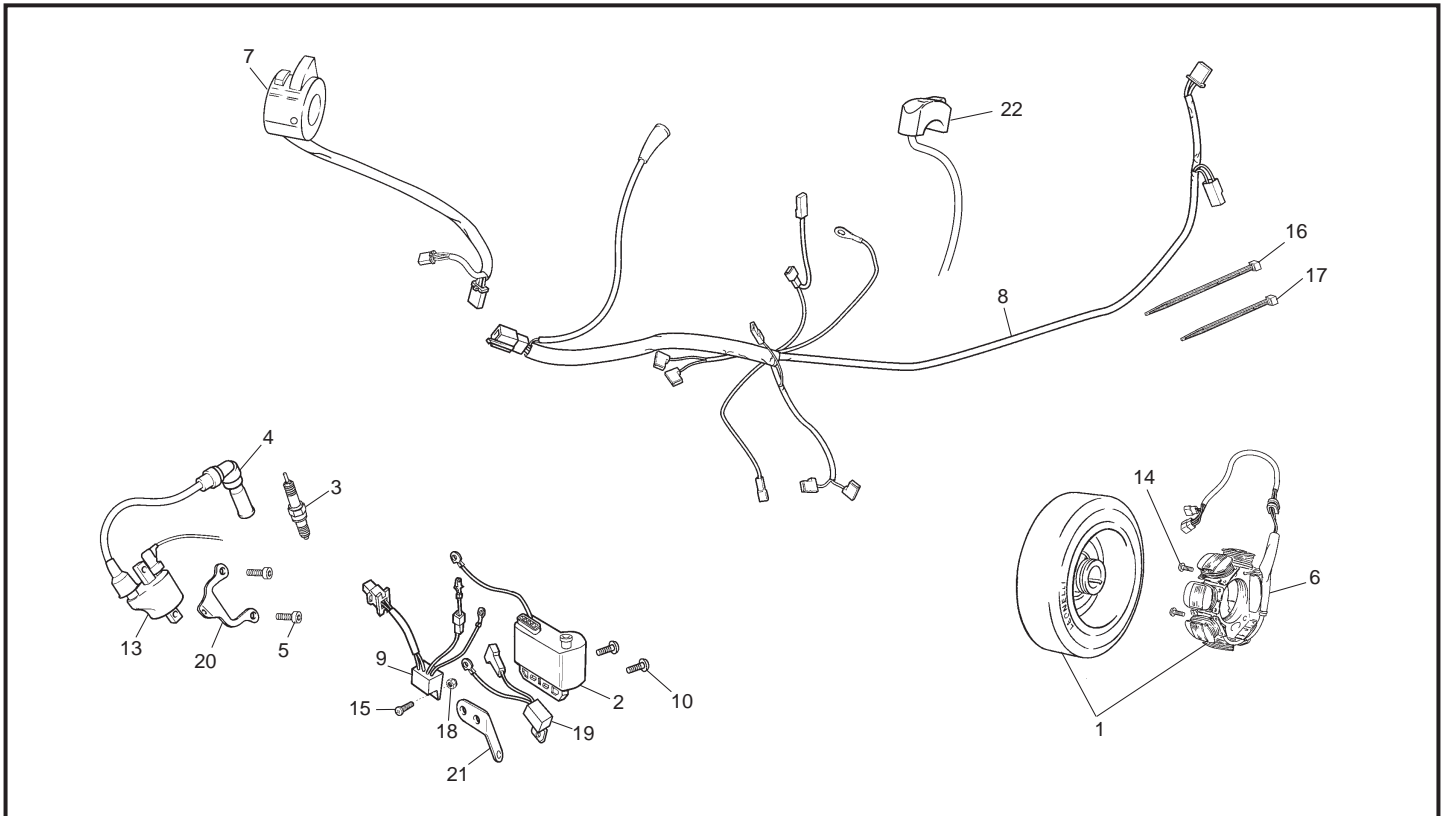


| POS. | 3.2 | FRANÇAIS | ENGLISH | ESPAÑOL |
|------|------|------------------------------|-------------------------|-----------------------------|
| 35 | M281 | VIS BHC 8 X 12 1093 | SCREW BHC 8 X 12 | TORNILLO M8 X 12 ULS |
| 36 | M261 | VIS CHC 8 X 20 0084 | SCREW CHC 8 X 20 | TORNILLO 8 X 20 ALLEN |
| 37 | S132 | SUPPORT DE BEQUILLE | STAND HOLDER | SOPORTE CABALLETE |
| 38 | C166 | VIS SPECIALE BEQUILLE | SIDE STAND SPECIAL BOLT | TORNILLO ESPECIAL CABALLETE |
| 39 | 1093 | BRAS OSCILLANT MAT 07 | SWINGARM MAT 07 | BASCULANTE MAT 07 |
| 40 | 1209 | PROTECTEUR DIS ADDEPE | PROTECTOR | PROTECTOR DISCO |
| 41 | C154 | AXE BRAS OSCILLANT | ALUMINIUM SWINGARM AXL | EJE BASCULANTE ALUMINIO |
| 42 | C177 | PROTECTEUR COURRONE | PROTECTEUR SPROKET | PROTECTOR CORONA |
| 43 | M278 | VIS BHC 5 X10 1093 | SCREW BHC 5X10 | TORNILLO 5X10 ULS |
| 44 | 1249 | ADHESIF BRAS 07 | SWINGARM STICKER 07 | ADHESIVO BASCULANTE 07 |
| 45 | 1686 | BUTEE CAOUTCHOUC AMORTISSEUR | RUBBER REAR SHOCK | GOMA TOPE AMORTIGUADOR 08 |
| 46 | 1685 | KIT ROTULE AMORTISSEUR | SHORK ROTULE KIT | KIT ROTULA AMORTIGUADOR 08 |
| 47 | 1432 | RONDELLE AET 8 | WASHER AET 8 | ARANDELA AET 8 |

Radiateur / Radiator / Radiador


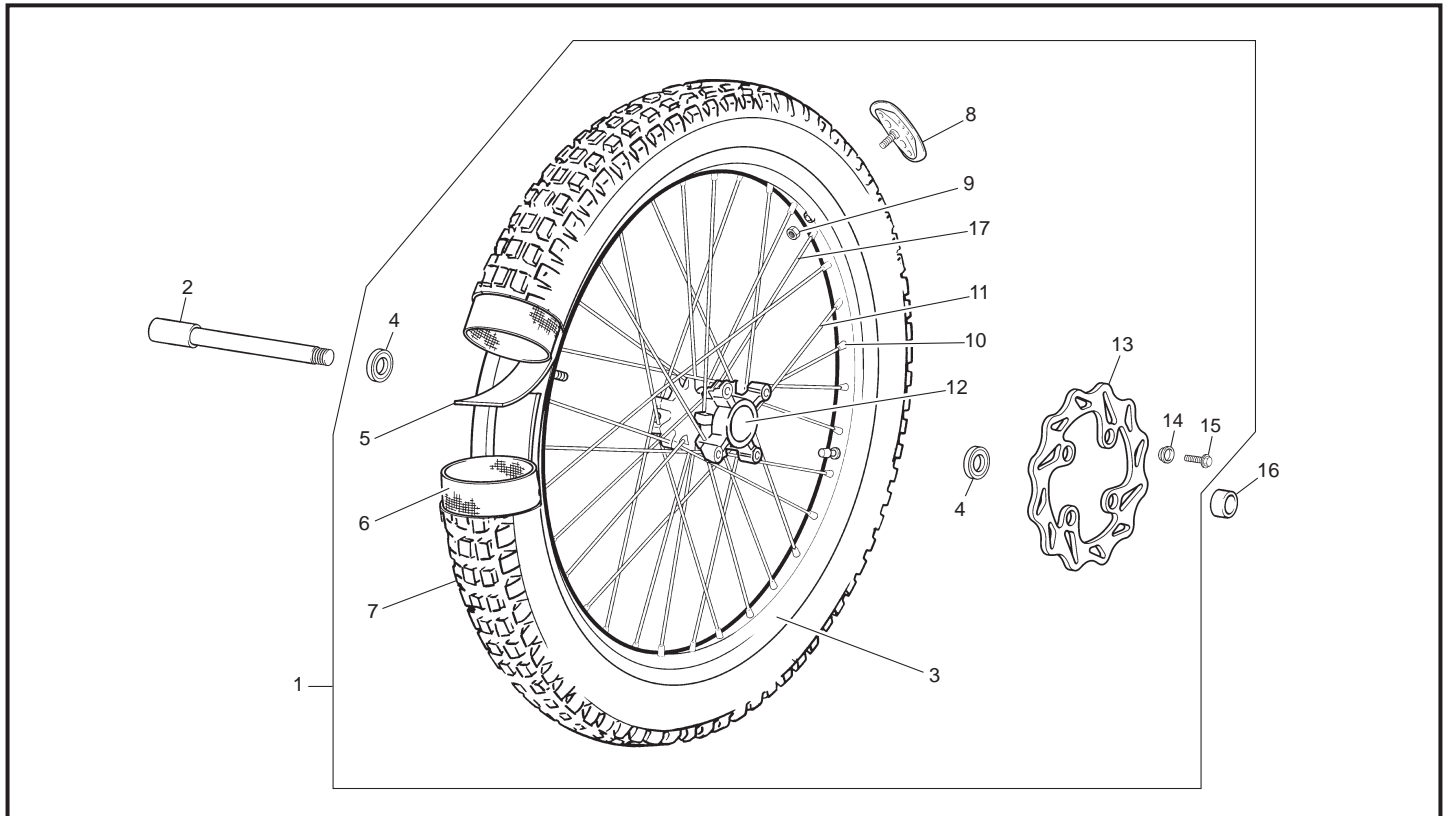
| POS. | 3.2 | FRANÇAIS | ENGLISH | ESPAÑOL |
|------|------|-----------------------------------|-----------------------------------|-----------------------------------|
| 1 | C723 | TUBE ECHAPPEMENT 4T 07 | EXHAUST PIPE 4T 07 | CURVA DE ESCAPE 4T 07 |
| 2 | 1324 | POT CENTRAL R | MIDDLE SILENCER R | SILENCIADOR CENTRAL R |
| 3 | 1419 | PROTECTEUR THERMIQUE | THERMIC PROTECTOR | PROTECTOR TÉRMICO |
| 4 | C104 | JOINT TORIQUE POT CENTRAL 44x3.5 | O-RING MIDDLE SILENCER | JUNTA TÓRICA SILEN.CENTRAL 44X3,5 |
| 5 | C126 | SUPPORT DE THERMOCONTACT | THERMOSTAT SUPPORT T-PIECE | SOPORTE TERMOSTATO |
| 6 | C726 | BOITIER FILTRE AIR | AIR FILTER BOX | CAJA FILTRO |
| 7 | C107 | COUVERCLE FILTRE AIR | AIR FILTER BOX COVER | TAPA FILTRO |
| 8 | C730 | MOUSSE DE FILTRE 4T | AIR FILTER ELEMENT 4T | ESPUMA DE FILTRO 4T |
| 9 | C658 | RACCORD FILTRE CARBURETEUR 4T | MANIFOLD FILTER/ CARBURETOR 4T | TOBERA FILTRO/CARBURADOR 4T |
| 10 | 0595 | COLLIER NORMA 32/50 | HOSE CLAMP | ABRAZADERA NORMA 32/50 |
| 11 | C757 | DURITE POMPE EAU RADIATEUR 06 | RUBBER HOSE WATERPUMP/RADIATOR 06 | TUBO GOMA BOMBA/RADIADOR 06 |
| 12 | M274 | RONDELLE GROSVER X6 DIN 67985 | WASHER 6 DIN 67985 | ARANDELA DENTADA 6 DIN 67985 |
| 13 | C114 | COLLIER DE DURITE NORMA VERT 21 | HOSE CLAMP | ABRAZADERA 21 VERDE |
| 14 | C703 | RADIATEUR | RADIATOR | RADIADOR |
| 15 | C313 | VENTILATEUR | FAN | VENTILADOR |
| 16 | C314 | SUPPORT DE VENTILATEUR | FAN SUPPORT | SOPORTE VENTILADOR |
| 17 | C118 | SILENT-BLOC RADIATEUR | SILENT-BLOC RADIATOR | SILENT-BLOC RADIADOR |
| 18 | C119 | PATE FIXATION RADIATEUR | HOLDER (silent bloc radiator) | SOPORTE FIJACIÓN RADIADOR |
| 19 | C358 | VIS CHC 4X6 | SCREW CHC 4X6 | TORNILLO 4X6 DIN 912 |
| 20 | C664 | SONDE THERMOSTATIQUE 4T | THERMOSTAT 4T | TERMOSTATO 4T |
| 21 | C029 | COLLIER DE DURITE NORMA VIOLET 19 | HOSE CLAMP | ABRAZADERA 19 VIOLETA |
| 22 | R046 | BOUCHON DE RADIATEUR | RADIATOR CAP | TAPÓN RADIADOR |
| 23 | C122 | JOINT CUIVRE 38X44X2,5 | EXHAUST GASKET | JUNTA COBRE SALIDA CILINDRO |
| 24 | 1239 | RESSORT COUVERCLE FILTRE | AIRBOX RETAINER CLIP | MUELLE TAPA FILTRO |
| 25 | C125 | DURITE RADIATEUR | RADIATOR OVERFLOW HOSE | TUBO DRENAJE RADIADOR |
| 26 | C702 | PROTECTEUR ECHAPPEMENT | EXHAUST PROTECTOR | PROTECTOR ESCAPE |
| 27 | C756 | DURITE CULASSE RADIATEUR | RUBBER HOSE RADIATOR | TUBO GOMA CULATA RADIADOR |
| 28 | M251 | VIS CHC 6X16 | SCREW CHC 6X16 | TORNILLO M6X16 DIN 912 |
| 29 | M252 | VIS CHC 6X20 | SCREW CHC 6X20 | TORNILLO M6X20 DIN 912 |
| 30 | M278 | BHC 5X10 | SCREW BHC 5X10 | TORNILLO M5X10 ULS |
| 31 | M282 | VIS BHC 6X10 | SCREW BHC 6X10 | TORNILLO M6X10 ULS |
| 32 | M283 | VIS BHC 6X16 | SCREW BHC 6X16 | TORNILLO M6X16 ULS |
| 33 | M306 | ECROU NYLSTOP M6 | NUT NYLSTOP M6 | TUERCA NYLSTOP M6 |
| 34 | M317 | RONDELLE X 6 | WASHER X 6 | ARANDELA X 6 DIN 125 B |
| 35 | M318 | RONDELLE 4X12 | WASHER 4X12 | ARANDELA 4X12X1 DIN 9021 |
| 36 | M321 | RONDELLE M6X18 | WASHER 6X18 | ARANDELA M6X18 |
| 37 | C713 | GRILLE RADIATEUR | RADIATOR PROTECTOR | RESINA RADIADOR |
| 38 | 1375 | TOLE. PROTECTION | STEEL PROTECTION EXHAUST | CHAP PROTECTOR ESCAPE |
| 39 | 1381 | VIS M4XM6 TOLE | SCREW M4XM6 | TORNILLO M4XM6 |

Faisceau électrique / Electrical system / Instalación eléctrica



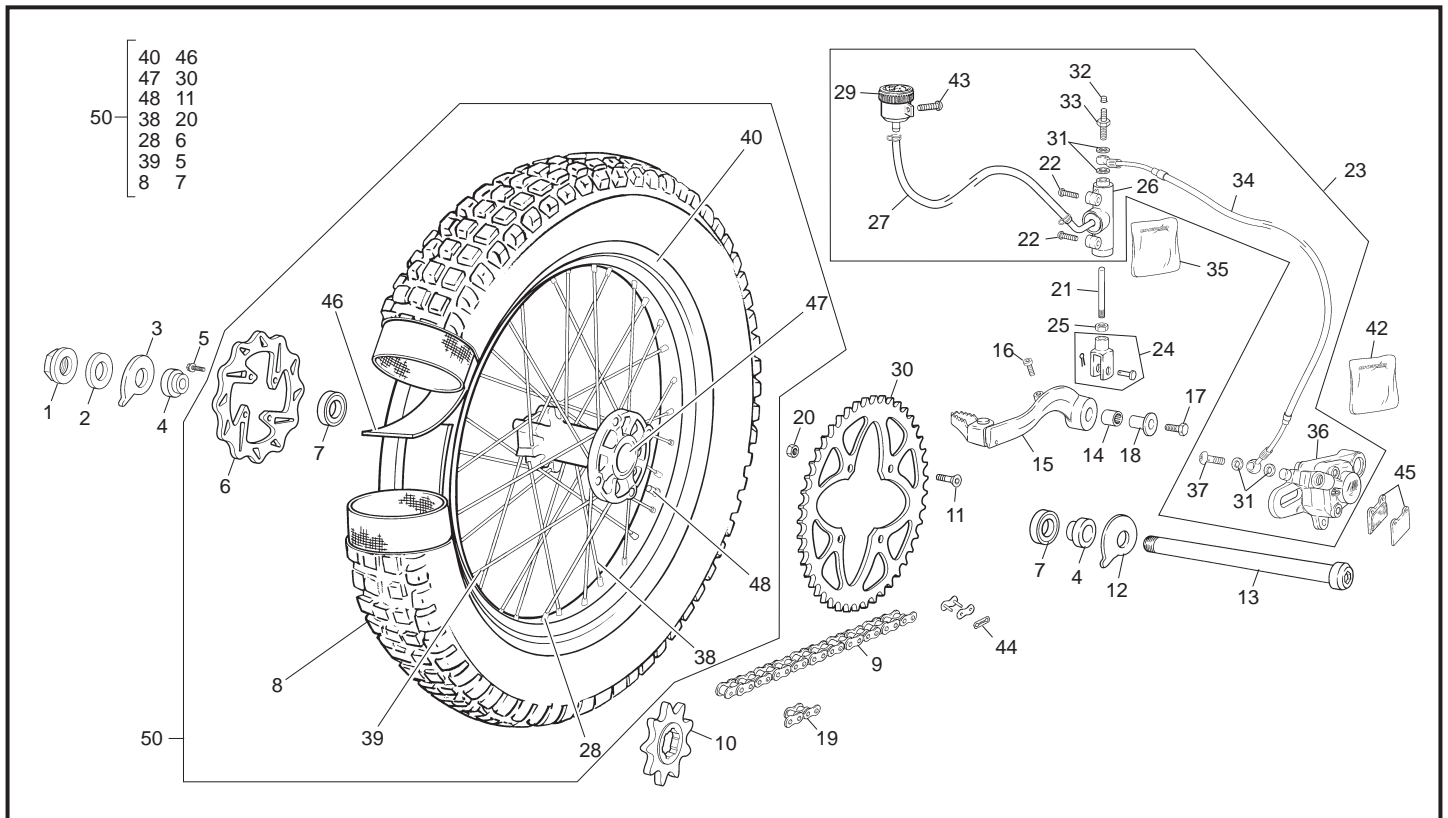
| POS. | 3.2 | FRANÇAIS | ENGLISH | ESPAÑOL |
|------|------|---------------------------------|----------------------------------|------------------------------|
| 1 | M645 | ALLUMAGE CPL 4T | IGNITION ASSY 4T | ENCENDIDO 4T |
| 2 | 1379 | CDI DOUBE COURBE | CDI BOX | CDI DOBLE CURVA |
| 3 | M673 | BOUGIE 4T | SPARK PLUG 4T | BUJÍA 4T |
| 4 | 1591 | ANTI PARASITE 4T TRIAL SILICONE | SPARK PLUG CAP 4T TRIAL SYLICONE | PIPA BUJÍA 4T TRIAL SILICONA |
| 5 | M251 | VIS CHC 6X16 | SCREW CHC 6X16 | TORNILLO 6X16 CHC |
| 6 | 1415 | STATOR ALLUMAGE SEUL 4T | IGNITION 4T DLONE | STATOR SUELTO |
| 7 | C038 | COMUTATEUR ELECTRIQUE | LIGHT SWITCH ASSEMBLY | CONMUTADOR LUCES |
| 8 | C037 | FAISEAU ELECTRIQUE | WIRING HARNESS | INSTALACIÓN ELÉCTRICA |
| 9 | C039 | DIODE REDRESSEUS | DIODE | RECTIFICADOR |
| 10 | M252 | VIS CHC 6x10 | SCREW CHC 6X10 | TORNILLO M6X10 DIN 912 |
| 11 | M273 | CAVALIER NORMA BSL1x8 | FORMED WIRE CLIP | BRIDA NORMA BSL1X8 |
| 12 | M275 | RONDELLE X 5 | WASHER X 5 | ARANDELA X 5 DIN125 A |
| 13 | 1142 | BOBINE KOKUSAN | ELECTRONIC BOX KOKUSAN | BOBINA KOKUSAN |
| 14 | M255 | VIS BHC 6X25 | SCREW CHC 6X25 | TORNILLO M6X25 CHC |
| 15 | M306 | ECROU NYLSTOP M6 | NUT NYLSTOP M6 | TUERCA NYLSTOP M6 |
| 16 | M330 | COLLIER 178X4.8 | ZIP TIE 178X4.8 | BRIDA 178X4.8 |
| 17 | M331 | COLLIER 100X2.5 | ZIP TIE 80X2.5 | BRIDA 100X2.5 |
| 18 | M274 | RONDELLE GROSVER X6 DIN 67985 | WASHER 6 DIN 67985 | ARANDELA DENTADA 6 DIN 67985 |
| 19 | M182 | REGULATEUR | REGULATOR | REGULADOR |
| 20 | 1383 | SUPPORT DE BOBINE 4T | HOLDER ELECTRIC BOX 4T | SOPORTE BOBINA 4T |
| 21 | 1322 | SUPPORT CDI 4T | HOLDER CDI 4T | SOPORTE CDI 4T |
| 22 | 1380 | COMUTATEUR SÉLECTION DOUBLE | DOUBLE SELECTION SWITCH | CONMUTADOR SELECCIÓN DOBLE |

Roue avant / Front wheel / Rueda delantera



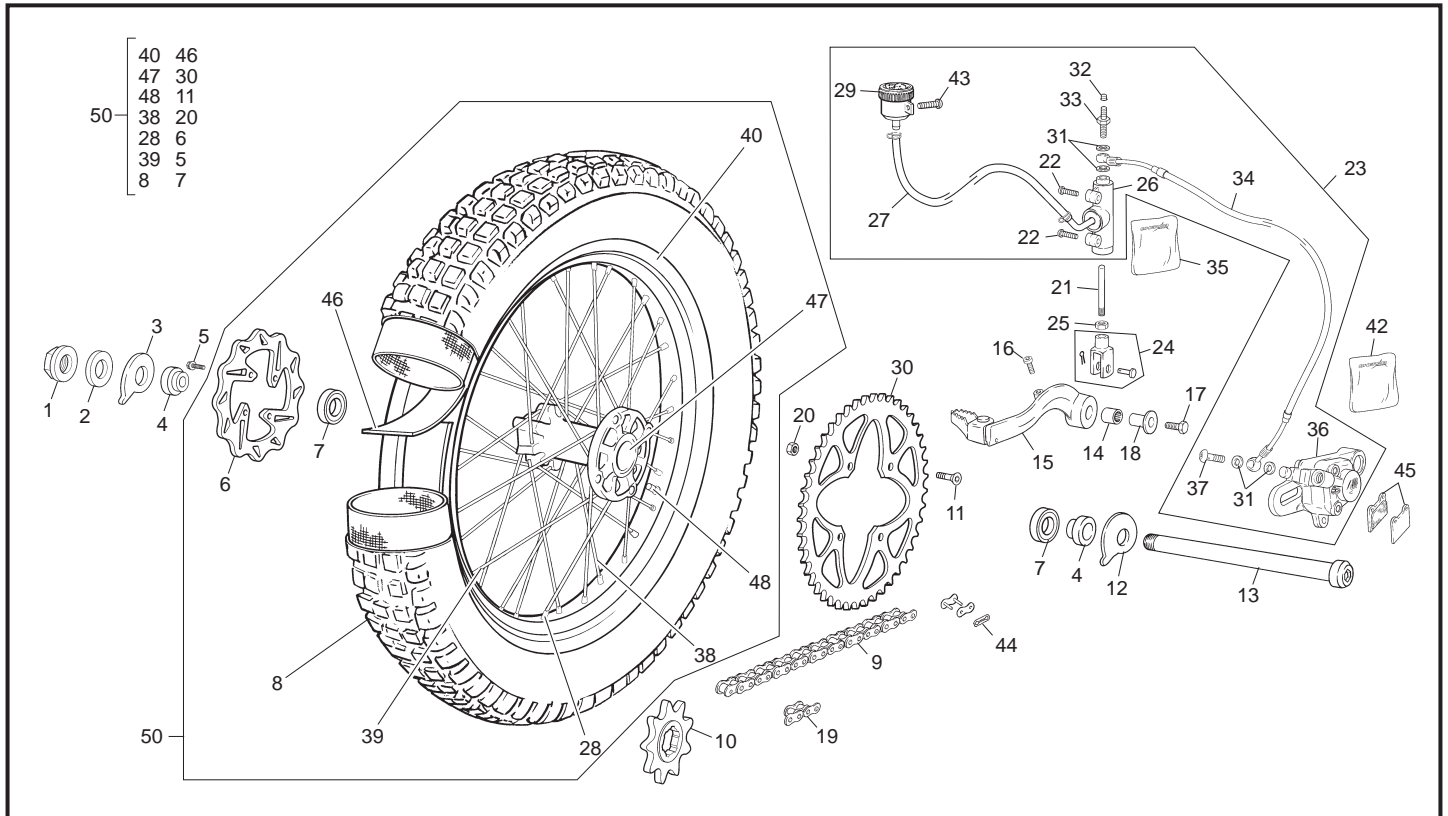
| POS. | 3.2 | FRANÇAIS | ENGLISH | ESPAÑOL |
|------|------|-------------------------------|----------------------------|-------------------------------|
| 1 | C732 | ROUE AVANT 06 CABES | FRONT WHEEL 06 CABES | RUEDA DELANTERA 06 CABES |
| 2 | C205 | AXE DE ROUE AVANT | FRONT WHEEL AXLE | EJE RUEDA DELANTERA |
| 3 | C759 | JANTE AVANT RAYONS NOIR | FRONT RIM BLACK | LLANTA DELANTE NEGRA |
| 4 | R049 | ROULEMENT DE MOYEU 6004 2RS | BEARING HUB 6004 2RS | RODAMIENTO BUJE 6004 2RS |
| 5 | C201 | RUBAN FOND DE JANTE R1 4025 | RIM RUBBER PROTECTION | GOMA PROTECCIÓN LLANTA |
| 6 | C202 | CHAMBRE A AIR 21AB | 21 TUBE | CAMARA 21 |
| 7 | C204 | PNEU AVANT 2,75X21 | FRONT TIRE 2,75 X 21 | NEUMÁTICO DELANTERO 2,75 X 21 |
| 8 | C203 | GRISTER | TYRE STAY | AGARRACUBIERTAS |
| 9 | M305 | ECROU NYLSTOP M8 0368.8 | NUT NYLSTOP M8 | TUERCA NYLSTOP M8 |
| 10 | R048 | ECROU DE RAYON AVANT | FRONT NEEPLE SPOCKE | TUERCA RADIO DELANTERO |
| 11 | C381 | RAYON AVANT | FRONT SPOCKE | RADIO DELANTERO |
| 12 | C320 | MOYEU AVANT | FRONT HUB | BUJE DELANTERO |
| 13 | C466 | DISQUE FREIN AVANT WAVE TRIAL | FRONT DISC WAVE TRIAL | DISCO DELANTERO WAVE TRIAL |
| 14 | C209 | ENTRETOISE DISQUE AVANT | SPACER DISC | CASQUILLO FLOTANTE DISCO |
| 15 | C452 | VIS HEXAGONAL EPAULE M6 X 18 | SCREW EXAGONAL M6 X 18 | TORNILLO HEXA. M6 X 18 |
| 16 | C333 | ENTRETOISE ROUE AVANT | FRONT BRUSH | SEPARADOR EJE RUEDA DELANTERA |
| 17 | C382 | RAYON AV ROUE 32 R L256 | FRONT SPOKE WEEL 32 R L256 | RADIO DEL RUEDA 32 R L256 |

Roue arriere / Rear wheel / Rueda trasera



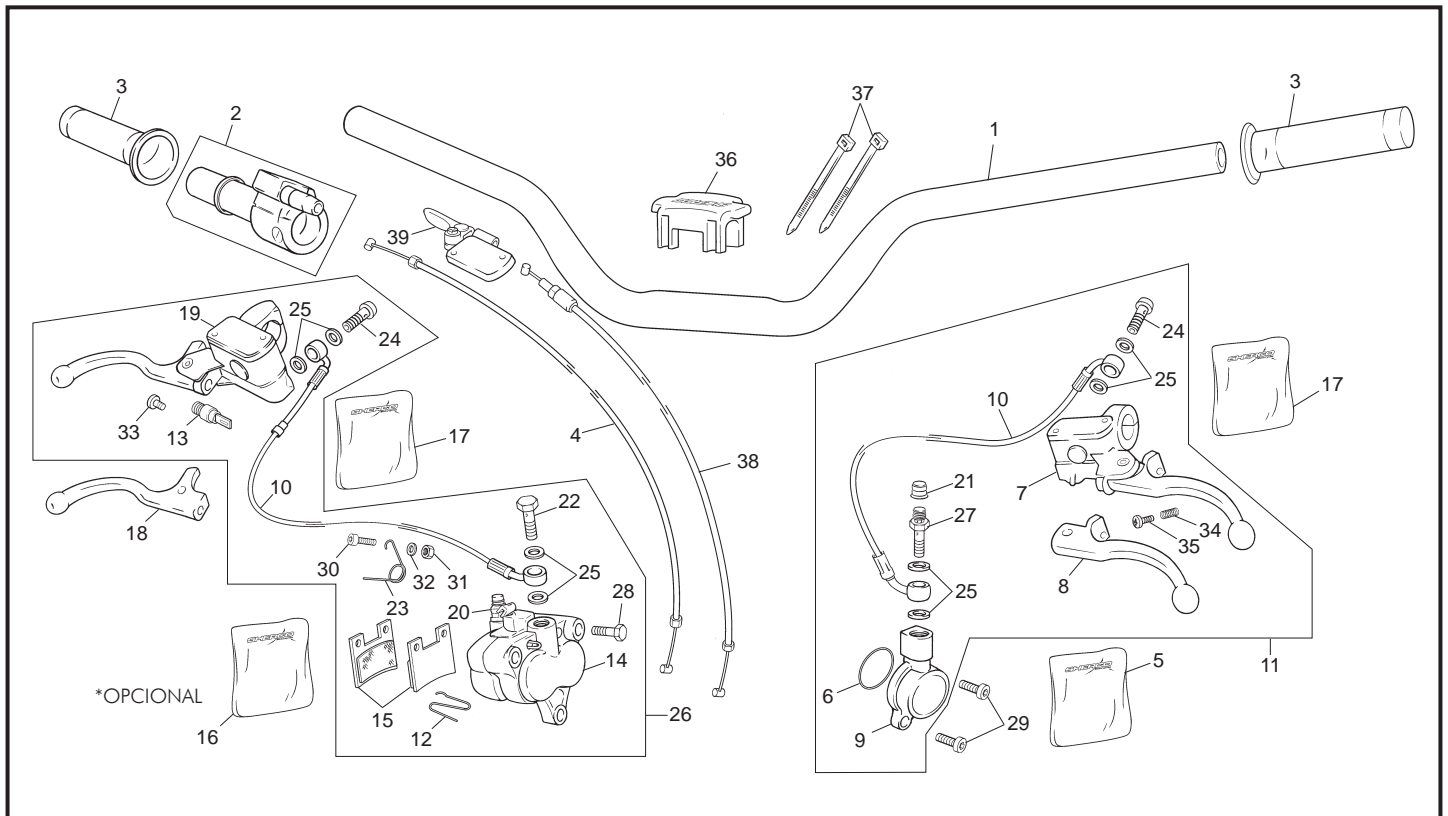
| POS. | 3.2 | FRANÇAIS | ENGLISH | ESPAÑOL |
|------|------|--------------------------------------|--------------------------|--------------------------------|
| 1 | C253 | ECROU ROUE ARRIERE | REAR AXLE NUT | TUERCA EJE RUEDA TRASERA |
| 2 | M314 | RONDELLE X 16 1405 016 | WASHER X 17 | ARANDELA X 17 |
| 3 | C254 | EXENTRIQUE DROIT TENDEUR CHAINE | RUNNER CHAIN | EXCÉNTRICA DERECHA |
| 4 | C255 | ENTRETOISE ROUE ARRIERE | REAR BRUSH | SEPARADOR RUEDA TRASERA |
| 5 | M249 | VIS BHC 8 X 20 | SCREW BHC 8 X 20 | TORNILLO BHC 8 X 20 |
| 6 | 1065 | DISQUE FREIN ARRIERE WAVE TRIAL | REAR DISC WAVE TRIAL | DISCO FRENO TRASERO WAVE TRIAL |
| 7 | R049 | ROULEMENT DE MOYEU 6004 2RS | BEARING HUB 6004 2RS | RODAMIENTO BUJE 6004 2RS |
| 8 | C251 | PNEU ARRIERE 400X18 | REAR TYRE 400 X 18 | NEUMÁTICO 400 X 018 TUBELESS |
| 9 | 1433 | CHAINE 99 | CHAIN 99 | CADENA 99 |
| 10 | M227 | PIGNON | SPROCKET | PIÑÓN |
| 11 | M287 | VIS BHC 8 X 22 | SCREW BHC 8 X 22 | TORNILLO BHC 8 X 22 |
| 12 | C256 | EXENTRIQUE GAUCHE TENDEUR CHAINE | LEFT REAR AXLE EXCENTRIC | EXCÉNTRICA IZQUIERDA |
| 13 | C326 | AXE ROUE ARRIERE 2002 | AXELE BACK WEEL 2002 | EJE RUEDA TRAS. 2002 |
| 14 | C263 | DOUILLE AIGUILLE PEDALE FREIN | BEARING | CASQUILLO AGUJAS PEDAL FRENO |
| 15 | C327 | PEDALE DE FREIN 2002 | REAR BRAKE PEDAL 2002 | PEDAL FRENO TRASERO 2002 |
| 16 | C358 | VIS CHC M4 X 6 | SCREW M4 X 6 CHC | TORNILLO M4X6 CHC |
| 17 | M303 | VIS HEXAG 8 X 25 | SCREW HEXAG 8 X 25 | TORNILLO HEXAG 8 X 25 |
| 18 | C264 | ENTRETOISE PEDALE DE FREIN | SPACER BRAKE PEDAL | CASQUILLO PEDAL DE FRENO |
| 19 | C304 | 1/2 MAILLON DE CHAINE | HALF COMPLING CONNECTION | MEDIA MALLA DE CADENA |
| 20 | M305 | ECROU NYLSTOP M8 | NUT NYLSTOP M8 | TUERCA NYLSTOP M8 |
| 21 | C261 | TIGE FREIN ARRIERE | PIN BRAKE ROD | TIJA PEDAL FRENO TRASERO |
| 22 | M284 | VIS BHC 6 X 25 | SCREW BHC 6 X 25 | TORNILLO 6 X 25 |
| 23 | C321 | GROUPE FREIN ARRIERE 2002 | REAR BRAKE COMPLETE 2001 | CTO FRENO TRASERO 2001 |
| 24 | C259 | CHAPE PEDALE FREIN 0267 | REAR BRAKE ROD | HORQUILLA PEDAL DE FRENO |
| 25 | M309 | ECROU STANDARD M6 0317 | NUT M6 | TUERCA M6 |
| 26 | C385 | POMPE FREIN AR 9,5 | REAR MASTER CYLINDER 9,5 | BOMBA FRENO TRASERO |
| 27 | R069 | TUBE LIQUIDE FREIN BOCAL/POMPE L 210 | OIL TANK TUBE L 210 | TUBO LIQUIDO FRENO L 210 |
| 28 | R067 | ECROU DE RAYON AR | REAR NIPPLE SPOKE | TUERCA RADIOS TRASEROS |
| 29 | R066 | BOCAL LIQUIDE FREIN | OIL TANK BRAKE | DEPÓSITO LIQUIDO FRENO |
| 30 | C330 | COURRONE 42D 4 TROUS | REAR SPROKET 42D 2002 | CORONA 42D 4TROUS 2002 |
| 31 | R074 | RONDELLE BANJO | ALUMINIUM SEAL | ARANDELA BANJO |
| 32 | R057 | PURGEUR ETIER AVANT | PURGE STIRRUP SCREW | SANGRADOR DELANTERO |
| 33 | R058 | CAPUCHON VIS DE PURGE | HOOD SCREW PURGE | TAPÓN SANGRADOR |
| 34 | C388 | DURITE FREIN ARRIERE | REAR BRAK HOSE | LATIGUILLO FRENO TRASERO |

Roue arriere / Rear wheel / Rueda trasera



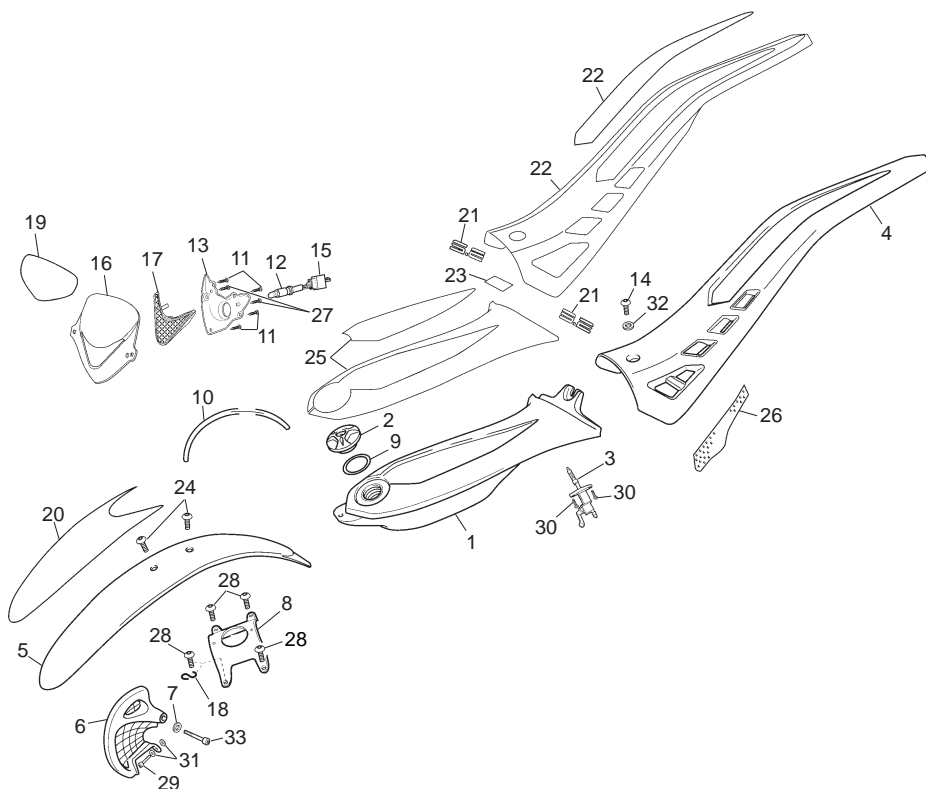
| POS. | 3.2 | FRANÇAIS | ENGLISH | ESPAÑOL |
|------|------|------------------------------------|--------------------------|------------------------------------|
| 35 | R233 | KIT REPARATION POMPE FREIN AR 2005 | KIT BACK CALIPER 2005 | KIT REPARACIÓN PINZA FRENO TR 2005 |
| 36 | C386 | ETRIER FREIN ARRIERE 2005 | REAR CALIPER 2005 | PINZA FRENO TRASERO 2005 |
| 37 | R059 | VIS RACCORD M10 X 21 | LINK SCREW M10 X 21 | TORNILLO RACORD M10 X 21 |
| 38 | C379 | RAYON AR ROUE 32R L218 | REAR SPOKE WEEL 32R L218 | RADIO TRASERO RUEDA 32R L218 |
| 39 | C380 | RAYON AR ROUE 32R L224 | REAR SPOKE WEEL 32R L224 | RADIO TRASERO RUEDA 32R L224 |
| 40 | C760 | JANTE ARRIERE RAYONS | REAR RIM | LLANTA TRASERA NEGRA |
| 42 | R235 | KIT ETRIER ARRIERE | KIT CALIPER BACK | KIT PINZA FRENO TR |
| 43 | M282 | VIS BHC 6 X 10 1093 | SCREW BHC 6 X 10 | TORNILLO 6 X 10 ULS |
| 44 | R034 | ATTACHE RAPIDE DE CHAINE | CONNECTING LINK | ENGANCHE CADENA |
| 45 | C390 | PLAQUETTES FREIN ARRIERE PAIRE | REAR PAD BRAKE PAIR | JUEGO PASTILLAS TRASERO |
| 46 | 1947 | FLAP DE ROUE ARRIERE | STRIP | FLAP |
| 47 | C323 | MOYEU ARRIERE | REAR HUB | BUJE TRASERO |
| 48 | R061 | VALVE AR | TUBLESS VALVE | VÁLVULA |
| 50 | 1168 | ROUE ARRIERE 06 | COMPLETE REAR WHEEL 06 | RUEDA TRASERA 06 |

Guidon / Handlebar / Manillar



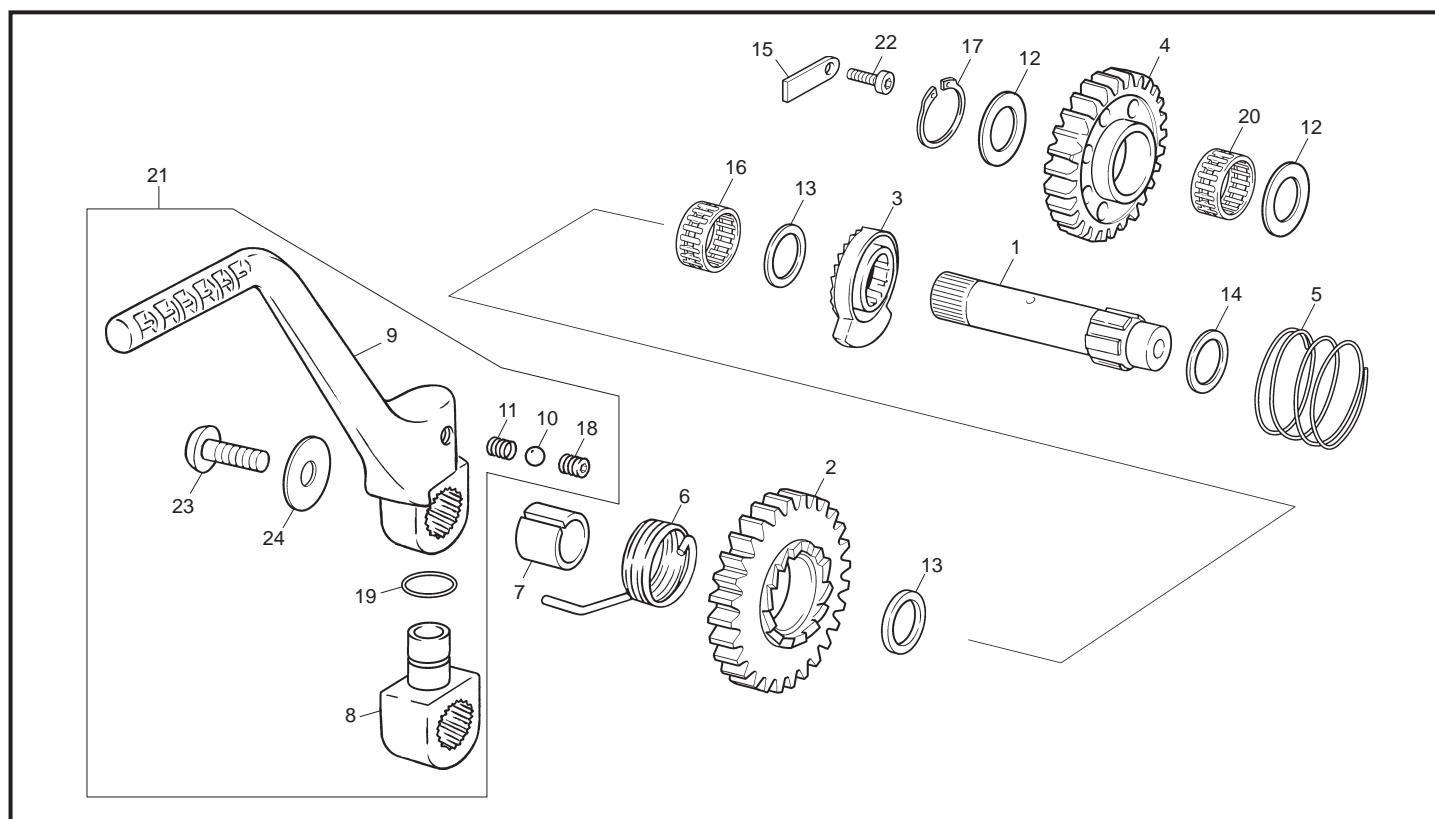
| POS. | 3.2 | FRANÇAIS | ENGLISH | ESPAÑOL |
|------|------|-------------------------------|--|----------------------------------|
| 1 | 1201 | GUIDON TRIAL 07 | HANDLEBAR TRIAL 07 | MANILLAR TRIAL 07 |
| 2 | C074 | COMMANDE DE GAZ | THROTTLE CONTROL | MANDO DE GAS |
| 3 | C075 | POIGNEE CAOUTCHOUC PAIRE | GRIPS SET | JUEGO EMPUÑADURAS |
| 4 | 1362 | CABLE DE GAZ KEIHIN | THROTTLE CABLE KEIHIN | CABLE DE GAS KEIHIN |
| 5 | R023 | KIT REP. EMBRAYAGE | CLUTCH SLAVE CYLINDER REPAIR KIT | KIT REPARACIÓN EMBRAGUE |
| 6 | R024 | TORIQUE EMBRAYAGE | CLUTCH SLAVE CYLINDER O-RING | TORICA EMBRAGUE |
| 7 | R030 | POMPE EMB. CPL | CLUTCH MASTER CYLINDER ASSEMBLY | CONJUNTO BOMBA EMBRAGUE |
| 8 | R441 | LEJIER EMB SEUL | CLUTCH LEVER | MANETA EMBRAGUE |
| 9 | R032 | RECEPTEUR EMB SEUL | CLUTCH SLAVE CYLINDER HOUSING | PINZA EMBRAGUE COMPLETE |
| 10 | R033 | DURITE EMBRAYAGE | CLUTCH HOSE | EMBRAGUE / FRENO |
| 11 | M089 | GROUPE CPL. EMB. | COMPLETE CLUTCH HYDRAULIC KIT | GRUPO EMBRAGUE COMPLETO |
| 12 | R042 | CLIP PLAQUETTES | CALIPER SPRING CLIP | CLIP PASTILLAS |
| 13 | R207 | CONTACTEUR FREIN AVANT | BRAKE LIGHT SWITCH | INTERRUPTOR FRENO DELANTERO |
| 14 | C387 | ETRIER FREIN AVANT | FRONT CALIPER ASSY | PINZA FRENO DELANTERO |
| 15 | C389 | PLAQUETTES FREIN PAIRE | PAD BRAKE | JUEGO PASTILLAS FRENO |
| 16 | R234 | KIT REPARATION ETRIER | FRONT BRAKE CALIPER REPAIR KIT | KIT REPARACIÓN PINZA |
| 17 | R053 | KIT REPARATION POMPE FREIN | FRONT BRAKE MASTER CYLINDER REPAIR KIT | KIT REPARACIÓN BOMBA DELANTERO |
| 18 | R440 | LEVIER FREIN AVANT SEUL | FRONT BRAKE LEVER | MANETA FRENO |
| 19 | R056 | POMPE FREIN AV CPL | FRONT BRAKE MASTER CYLINDER ASSEMB. | BOMBA FRENO DELANTERO |
| 20 | R057 | PURGEUR ETIER AVANT | BLEED SCREW | SANGRADOR DELANTERO |
| 21 | R058 | CAPUCHON VIS DE PURGE | BLEED SCREW COVER | TAPÓN SANGRADOR |
| 22 | R059 | VIS RACCORD M10 x 21 | FRONT CALIPER BANJO BOLT | TORNILLO RACORD M10x21 |
| 23 | R043 | GUIDE ETRIER | WIRE GUIDE LOOP | GANCHO LATIGUILLO |
| 24 | R044 | VIS BANJO | BANJO BOLT | TORNILLO RACORD ULS |
| 25 | R074 | JOINT | COPPER O-RING | ARANDELA BANJO |
| 26 | C318 | GROUPE FREIN AVANT CPL | FRONT BRAKE HYDRAULIC ASSEMBLY | GRUPO FRENO DEL COMPLETO |
| 27 | R068 | PURGEUR RACORD | BLEED SREW | SANGRADOR RACORD |
| 28 | R236 | AXE ETRIER FREIN AV D. PISTON | PIN FRONT CALIPER DL.PISTON | EJE PINZA FRENO DEL DOBLE PISTÓN |
| 29 | M252 | VIS CHC 6x20 | SCREW CHC 6x20 | TORNILLO M6X20 DIN 912 |
| 30 | M283 | VIS BHC 6x16 | SCREW BHC 6x16 | TORNILLO M6X16 ULS |
| 31 | M306 | ECROU NYLSTOP M6 | NUT NYLSTOP M6 | TUERCA NYLSTOP M6 |
| 32 | M317 | RONDELLE x 6 | WASHER x 6 | ARANDELA X 6 DIN 125 B |
| 33 | R366 | RACORD | BUSHING FRONT BRAKE LIGHT SWITCH | SOPORTE INTERIOR FRENO |
| 34 | R367 | RESSORT | SPRING | MUELLE MANETA EMBRAGUE |
| 35 | R368 | VIS REGULATION | SCREW | TORNILLO TENSOR MANETA EMBRAGUE |
| 36 | 1227 | MOUSSE GUIDON TRIAL 07 | FOAM HANDLEBAR 07 | ESPUMA MANILLAR TRIAL 07 |
| 37 | 1246 | BRIDAS MUUSE | ZIP TIE | BRIDES |
| 38 | 1122 | CABLE STARTER A CHAUD | BRAKE STARTER | CABLE ESTÁRTER |
| 39 | 1113 | COUVERCE + LEVIER STARTER | CONTROL LEVIER STARTER | TAPA + MANETA ESTÁRTER |

Plastiques / Plastics / Plásticos



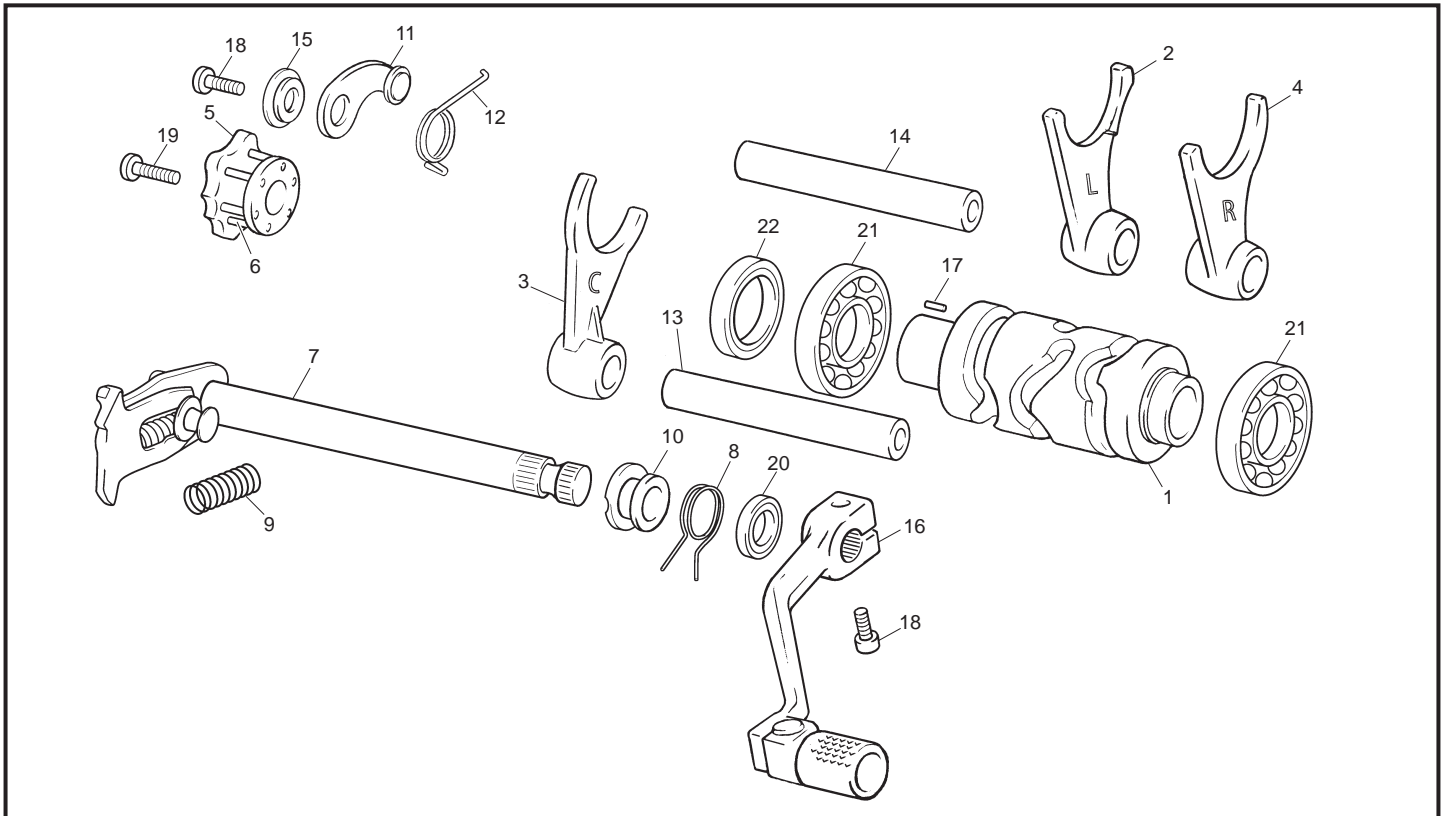
| POS. | 3.2 | FRANÇAIS | ENGLISH | ESPAÑOL |
|------|------|---------------------------------|------------------------------|---------------------------------|
| 1 | 1386 | RESERVOIR ESSENCE XL 4T 07 | FUEL TANK XL 4T 07 | DEPÓSITO GASOLINA XL 4T 07 |
| 2 | C712 | BOUCHON ESSENCE | PETROL CAP | TAPÓN GASOLINA |
| 3 | C023 | ROBINET ESSENCE | PETROL TAP | GRIFO GASOLINA |
| 4 | C717 | PARE BOUE ARRIERE GRIS 06 | REAR NUDGUARD GRIS 06 | GUARDABARROS TRASERO GRIS 06 |
| 5 | S350 | PARE BOUE AVANT GRIS 06 | FRONT NUDGUARD GRIS 06 | GUARDABARROS DELANTERO GRIS 06 |
| 6 | C636 | PARE DISQUE | DISC COVER | PROTECTOR DISCO |
| 7 | C031 | ENTRETOISE PARE DISQUE | SPACER DISC COVER | SEPARADOR CUBREDISCOS DELANTERO |
| 8 | C439 | ARCEAU SUPPORT GARDE BOUE | F/MUDGUARD HOLDER | PUENTE SUSPENSIÓN |
| 9 | C721 | JOINT BUOCHONS | CAP GASKET | JUNTA TAPÓN |
| 10 | C043 | DURITE ESSENCE | PETROL HOSE | TUBO GASOLINA |
| 11 | M336 | VIS TOLE 2.9X9.5 | SCREW 2.9X9.5 | TORNILLO CHAPA 2.9X9.5 |
| 12 | C067 | AMPOULE AVANT | FRONT LIGHT BULB | BOMBILLA FARO DELANTERO |
| 13 | C062 | INT. PLAQUE PHARE NOIR | FRONT PLATE BACK HOLDER | INT. PLACA FARO |
| 14 | M343 | VIS 6X35 | SCREW 6X35 | TORNILLO M6X35 |
| 15 | C066 | FAISEAU ELECTRIQUE PLAQUE PHARE | HEADLIGHT WIRING HARNESS | INSTALACIÓN DELANTERA |
| 16 | 1098 | PLAQUE PHARE NOIRE 07 | PLASTIC LIGHT COVER BLACK 07 | PLACA FARO NEGRO 07 |
| 17 | C068 | OPTIQUE | HEADLIGHT LENSE | ÓPTICA COMPLETA |
| 18 | R136 | GUIDE RESSORT FOURCHE | F/ BRAKE HOSE CLIP | GUÍA LATIGUILLO |
| 19 | 1091 | AD PLAQUE FARE | FRONT LIGHT STICKER | AD PLACA FARO |
| 20 | 1090 | AD GB AVANT | FRONT MUDGARD STICKER | AD GB DELANTERO |
| 21 | 1219 | AD CILINDREE | CC STICKER | AD CILINDRADA |
| 22 | 1095 | AD GB ARRIERE | REAR MUDGARD TOP STICKER | AD GB TRASERO |
| 23 | C307 | AD RESERVE COMPETITION | ADVISE STICKER | AD RESERVADO COMPETICIÓN |
| 24 | M289 | ULS VIS BHC M6X12 | SCREW M6X12 | TORNILLO M6X12 |
| 25 | 1387 | AD RESERVOIR 07 | PETROL TANK STICKER 07 | AD DEPÓSITO 07 |
| 26 | C714 | ADH PROTECTEUR TERMIQUE | HEAT RESISTANT STICKER | PROTECTOR TÉRMICO |
| 27 | M342 | VIS TOLE 3.5X9.5 | SCREW 3.5X9.5 | TORNILLO CHAPA 3.5X9.5 |
| 28 | M251 | VIS CHC 6X16 | SCREW CHC 6X16 | TORNILLO M6X16 DIN 912 |
| 29 | M267 | VIS CHC 4X16 | SCREW VIS CHC 4X16 | TORNILLO M4X16 DIN 912 |
| 30 | M282 | VIS BHC 6X10 | SCREW BCH 6X10 | TORNILLO M6X10 ULS |
| 31 | M318 | RONDELLE 4X12 | WASHER 4X12 | ARANDELA 4X12X1 DIN 9021 |
| 32 | M321 | RONDELLE 6X18 | WASHER 6X18 | ARANDELA 6X18X1.5 DIN 9021 |
| 33 | M265 | VIS CHC 8X60 | SCREW CHC 8X60 | TORNILLO 8X60 ALLEN |

Lanceur / Kickstarter assembly / Pedal arranque



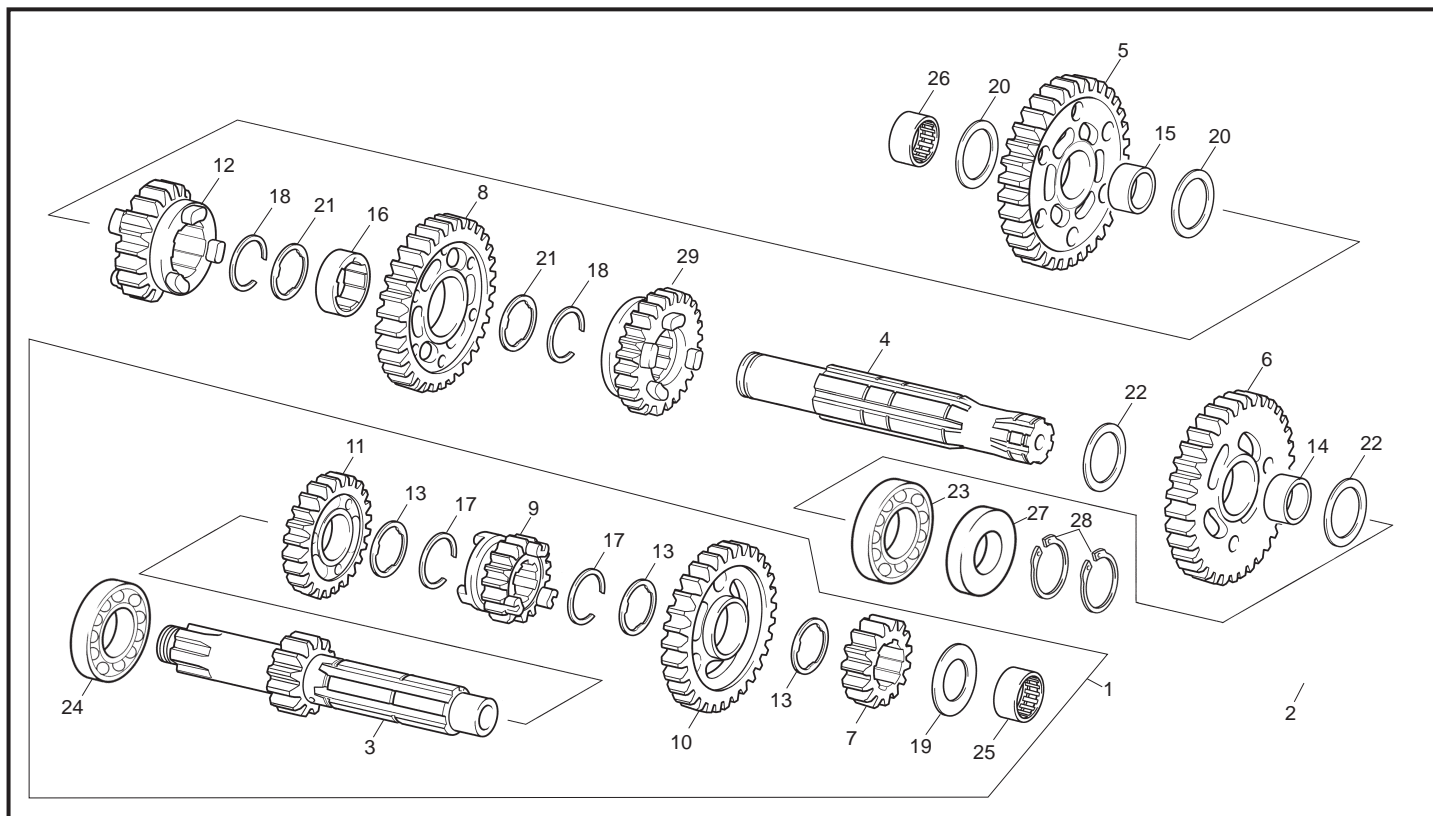
| POS. | 3.2 | FRANÇAIS | ENGLISH | ESPAÑOL |
|------|------|--------------------------------|-------------------------------------|-------------------------------|
| 1 | M150 | ARBRE LANCEUR | KICKSTARTER SHAFT | EJE ARRANQUE |
| 2 | M151 | PIGNON LIBRE DENT DE LOUP | KICKSTARTER PINION | PIÑÓN TRINQUETE |
| 3 | M152 | COULISSEAU DENT DE LOUP | KICKSTARTER FREE RACHET | TRINQUETE DESPLAZABLE |
| 4 | M153 | ROUE INTERMEDIAIRE | KICKSTARTER IDLE GEAR | RUEDA INTERMEDIA |
| 5 | M155 | RESSORT COULISSEAU D DE L | COMPRESSION SPRING | MUELLE TRINQUETE |
| 6 | M156 | RESSORT DE RAPPEL | KICKSTARTER SPRING | MUELLE DE RETORNO |
| 7 | M157 | DOUILLE CENTRAGE RESSORT | KICKSTARTER SPRING SPACER | CASQUILLO CENTRAJE MUELLE |
| 8 | M158 | NOIX DE KICK | KICKSTARTER LOWER CLAMP | MUÑEQUILLA PEDAL ARRANQUE |
| 9 | 1422 | LEVIER DE KICK 4T | KICKSTARTER UPPER LEVER 4T | PEDAL ARRANQUE 4T |
| 10 | M160 | BILLE 5.5 | 5.5 BALL | BOLA 5.5 |
| 11 | M161 | RESSORT DE POUSSEE BILLE | BALL SPRING | MUELLE PULSADOR BOLA |
| 12 | M163 | RONDELLE INA AS 17x30x1 | WASHER INA AS 17x30x1 | ARANDELA INA AS17X30X1 |
| 13 | M164 | RONDELLE ARBRE 17x25x1 | WASHER 17x25x1 | ARANDELA EJE ARRANQUE 17X25X1 |
| 14 | M165 | RONDELLE ARBRE 16x25x1 | WASHER 16x25x1 | ARANDELA EJE ARRANQUE 16X25X1 |
| 15 | M166 | BUTEE COULISSEAU D DE L | KICKSTARTER RACHET STOP | TOPE TRINQUETE DESPLAZABLE |
| 16 | M167 | CAGE AIGUILLE PIGNON DENT LOUP | NEEDLE BEARING K17x20x10 | JAULA AGUJAS PIÑÓN TRINQUETE |
| 17 | M171 | SEGMENT ARRET DIAN 17 | RETAINING RING 17 | SEGER DIÁMETRO 17 |
| 18 | M169 | VIS SANS TETE | SET SCREW | PRISIONERO |
| 19 | M168 | TORIQUE 14X2 | O-RING 14X2 | TÓRICA 14X2 |
| 20 | M077 | DOUILLE AGUILLE HK1712 B | NEEDLE ROLLER BEARING HK1712 B | JAULA AGUJAS HK1712 B |
| 21 | C728 | KICK COMPLETE | COMPLETE KICKSTARTER LEVER ASSEMBLY | PEDAL COMPLETO |
| 22 | M251 | VIS CHC 6x16 | SCREW CHC 6x16 | TORNILLO M6X16 DIN 912 |
| 23 | M280 | VIS BHC 8x16 | SCREW BHC 8x16 | TORNILLO M8X16 ULS |
| 24 | M319 | RONDELLE 8x18x1.5 | WASHER 8x18x1.5 | ARANDELA 8X18X1.5 CÓNICA DIN |

Selecteur / Gear selector group / Selector cambio



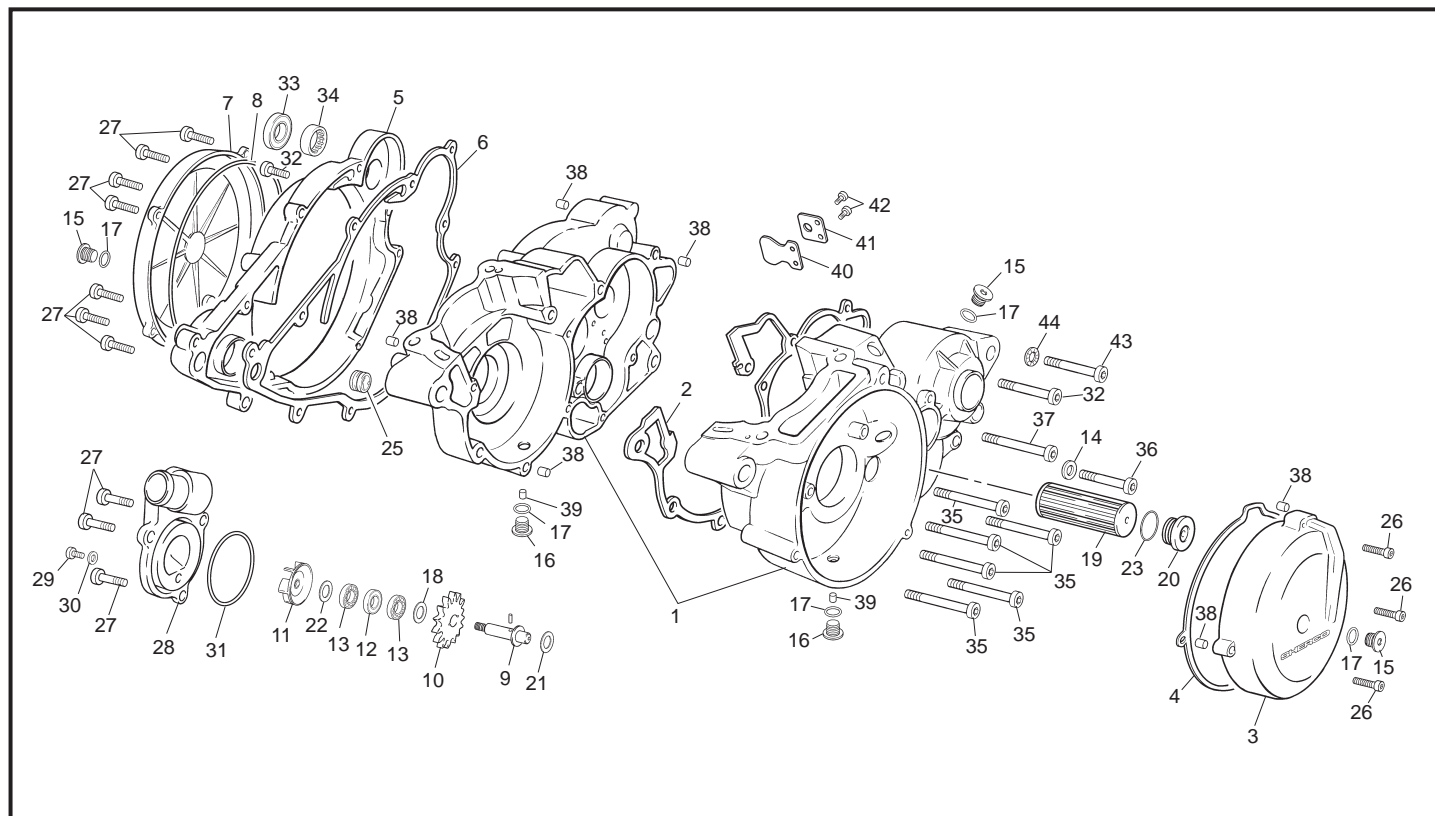
| POS. | 3.2 | FRANÇAIS | ENGLISH | ESPAÑOL |
|------|------|-----------------------------------|----------------------------|----------------------------------|
| 1 | M100 | TAMBOUR DE SELECTION | SELECTOR DRUM | DESMODRÓMICO SELECTOR |
| 2 | M102 | FOURCHETTE L | L FORK | HORQUILLA L |
| 3 | M103 | FOURCHETTE | C FORK | HORQUILLA C |
| 4 | M104 | FOURCHETTE R | R FORK | HORQUILLA R |
| 5 | M105 | ETOILE DE SELECTION CPL | INDEX SHIM | ESTRELLA SELECTOR |
| 6 | M106 | PION ETOILE INA NRA 3X19,8 | SELECTOR DRUM | AGUJA DE SELECTORINA |
| 7 | M107 | ARBRE DE SELECTEUR CPL | SHIFT SHAFT WITH PAWL ASSY | ÁRBOL SELECTOR |
| 8 | M110 | RESSORT RAPPEL SELECTION | SPRING SHIFT LEVER | MUELLE RETORNO SELECTOR |
| 9 | M111 | RESSORT RAPPEL COULISSEAU | PAWL ASSY SPRING | MUELLE RETORNO ESCORPIÓN |
| 10 | M113 | DOUILLE CENTRAGE RESSORT RAPPEL | SPACER SPRING SHIFT LEVER | CASQUILLO CENTRAJE MUELLE |
| 11 | M114 | LEVER DE VERROUILLAGE CPL | INDEX LEVER ASSY | PALANCA DE CIERRE SELECTOR |
| 12 | M117 | RESSORT DE RAPPEL LEVIER VERROUIL | INDEX SPRING | MUELLE RETORNO PALANCA DE CIERRE |
| 13 | M118 | AX DE FOURCHETTE COURT | FORK SPINDLE | EJE DE HORQUILLA CORTO |
| 14 | M119 | AXE DE FOURCHETTE LONG | FORK SPINDLE LONG | EJE DE HORQUILLA LARGO |
| 15 | M121 | DOUILLE LEVIER VERROUILLAGE | COLLAR | CASQUILLO PALANCA CIERRE |
| 16 | M127 | SELECTEUR EXTERIEUR | SHIFT LEVER ASSY | PALANCA DE CAMBIO |
| 17 | M122 | PION CLAVETAGE NRA 3X11,8 | NEEDLE PIN NRA 3X11,8 | AGUJA DESMO NRA 3X11,8 |
| 18 | M251 | VIS CHC 6X16 | SCREW CHC 6X16 | TORNILLO M6X16 DIN 912 |
| 19 | M253 | VIS CHC 6X30 | SCREW CHC 6X30 | TORNILLO M6X30 DIN 912 |
| 20 | M126 | JOINT 12X19X5 | SEAL | RETEN SELECTOR 12X19X5 |
| 21 | M123 | ROULEMENT A BILLES | BEARING | COJINETE |
| 22 | M124 | JOINT | SEAL | RETEN |

Boite a vitesses / Gear set / Cambio



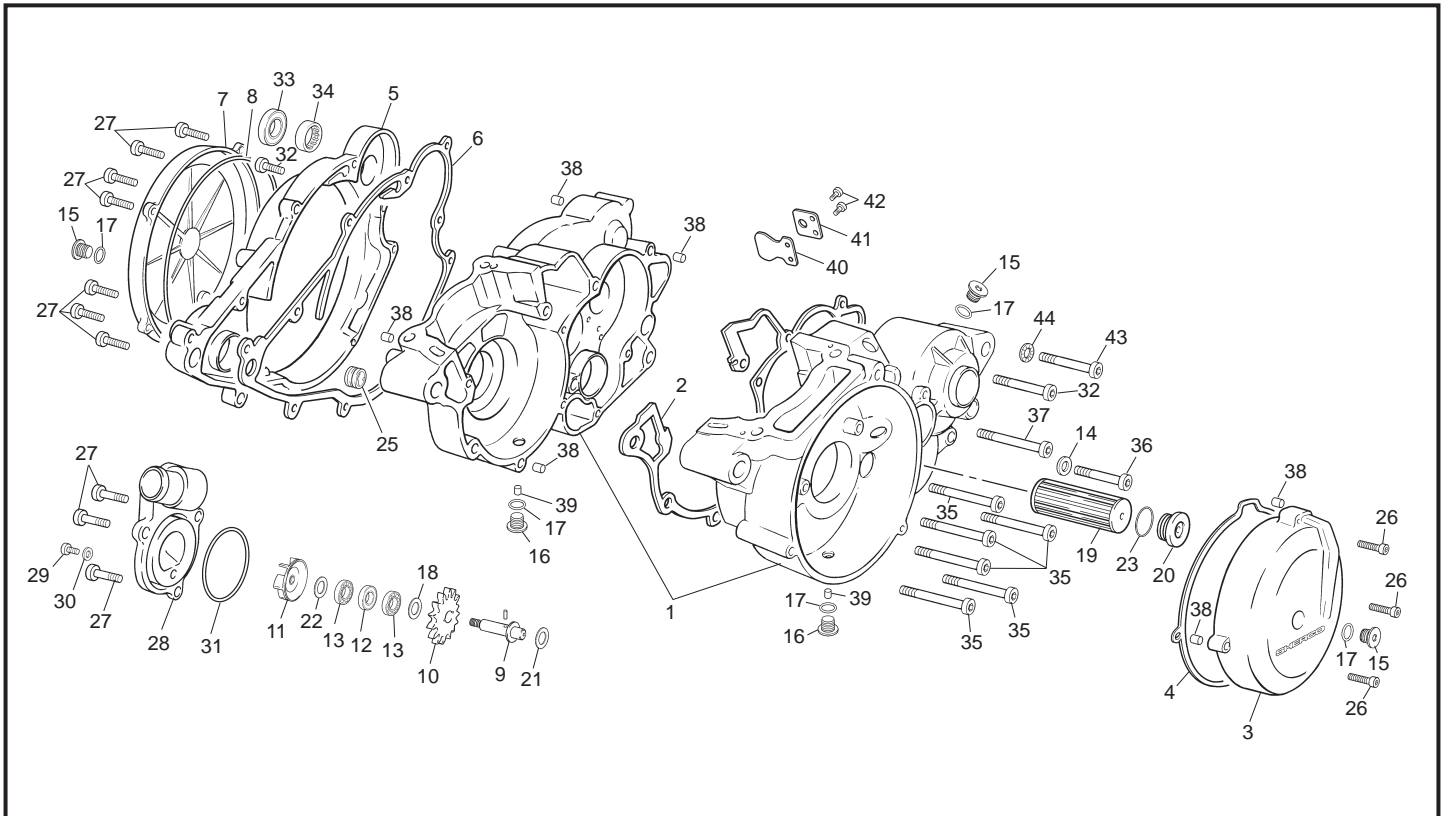
| POS. | 3.2 | FRANÇAIS | ENGLISH | ESPAÑOL |
|------|------|---------------------------------------|-----------------------------------|-------------------------------------|
| 1 | M390 | ENSEMBLE ARBRE PRIMAIRE | GROUP PRIMARY SHAFT WITH PINION | CONJUNTO. EJE PRIM. CAMBIO |
| 2 | M391 | ENSEMBLE ARBRE SECONDAIRE | GROUP SECONDARY SHAFT WITH PINION | CONJUNTO. EJE SECUN. CAMBIO |
| 3 | M374 | ARBRE PRIMAIRE / PIGNON 1ERE EVOL 2 | GEAR CLUTCH SHAFT EVOL 2 | EJE PRIMARIO EVOL 2 |
| 4 | M054 | ARBRE SECONDAIRE | MAINSHAFT | EJE SECUNDARIO |
| 5 | M367 | PIGNON SECONDAIRE 1ERE EVOL 2 S/S | PINION SECOND 1ERE EVOL 2 S/S | PIÑÓN SECOND 1ERE EVOL 2 S/S |
| 6 | M056 | ROUE LIBRE DE 2EME S/S | FREE PINION 2EME | CORONA DE 2º S/S |
| 7 | M057 | PIGNON FIXE DE 2EME S/P | GEAR PINION 2EME | PIÑÓN DE 2º S/P |
| 8 | M058 | ROUE LIBRE DE 3EME S/S | FREE PINION 3EME | CORONA DE 3º S/S |
| 9 | M059 | PIGNON BALADEUR DE 3EME S/P | GEAR PINION 3EME | PIÑÓN DESPLAZABLE 3º S/P |
| 10 | M061 | ROUE LIBRE DE 5EME S/P | FREE PINION 5EME | CORONA LIBRE DE 5º S/P |
| 11 | M062 | LIBRE DE 4EME S/P | GEAR PINION 4EME | PIÑÓN DE 4º S/P |
| 12 | M063 | ROUE BALADEUSE DE 4EME S/S | FREE PINION 4EME | CORONA DESPLAZABLE DE 4º S/S |
| 13 | M064 | RONDELLE CRENEAUX 20x24x1 | GEAR WASHER | ARANDELA ESTRIADA |
| 14 | M065 | DOUILLE ANTI FRICTION 1ERE | BUSHING 1ERE | CASQUILLO ANTI-FRICCIÓN 1º |
| 15 | M066 | DOUILLE ANTI FRICTION 2EME | BUSHING 2EME | CASQUILLO ANTI-FRICCIÓN 2º |
| 16 | M067 | DOUILLE ANTI FRICTION 3EME | BUSHING 3EME | CASQUILLO ANTI-FRICCIÓN 3º |
| 17 | M068 | SEGMENT ARRET WR20 | RETAINING WR 20 | SEEGER WR 20 |
| 18 | M069 | SEGMENT ARRET WR22 | RETAINING WR 22 | SEEGER WR 22 |
| 19 | M070 | RONDELLE INA ARBRE PRIMAIRE 27,8X15X1 | THRUST WASHER 28,7X15X1 | ARANDELA INA EJE PRIMARIO 27,8X15X1 |
| 20 | M071 | RONDELLE 17x27x1 | MAINSHAFT WASHER | ARANDELA EJE SECUNDARIO |
| 21 | M072 | RONDELLE CRENEAU ARBRE | WASHER | ARANDELA ESTRIADA EJE SECUNDARIO |
| 22 | M073 | RONDELLE ARBRE SECONDAIRE 20x27x1 | MAINSHAFT WASHER | ARANDELA EJE SECUNDARIO |
| 23 | M074 | ROULEMENT 20x47x14 | BEARING 20x47x14 | COJINETE 20X47X14 6204 C3 |
| 24 | M075 | ROULEMENT 20x47x14 RSR | BEARING 20x47x14RSR | COJINETE 20X47X14 6204 RS |
| 25 | M076 | DOUILLE AIGUILLE 15x21x12 | NEEDLE BEARING 15x21x12 | CASQUILLO DE AGUJAS 15X21X12 |
| 26 | M077 | DOUILLE AIGUILLE HK1712B | NEEDLE BEARING 17x23x12 | CASQUILLO DE AGUJAS HK1712B |
| 27 | M078 | DOUBLE LEVRE 20x30x7 | OIL SEAL 20x30x7 JOINT | RETÉN DOBLE LABIO 20X30X7 |
| 28 | M350 | ARRET WR20 SORTIE BOITE | SNAP RING WR20 | SEGMENT ARRET WR20 |
| 29 | M060 | PIGNON LIBRE DE 5EME S/S | GEAR PINION 5EME | PIÑÓN DE 5º S/S |

Groupe carters / Crankcase assembly / Grupo carters



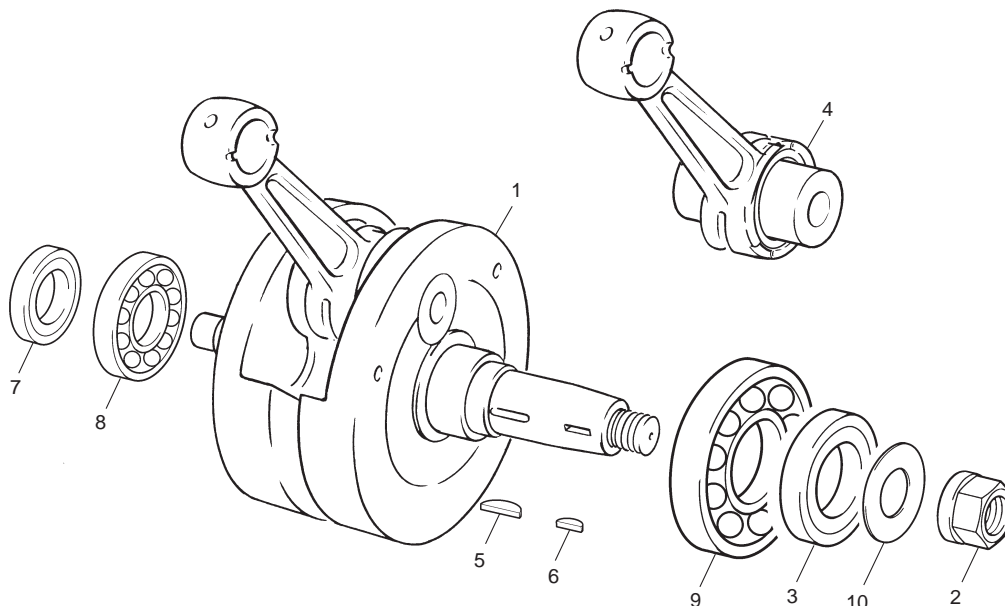
| POS. | 3.2 | FRANÇAIS | ENGLISH | ESPAÑOL |
|------|------|---------------------------------------|---------------------------------------|---------------------------------------|
| 1 | M640 | GROUPE CARTER CENTRAL 4T TRIAL | CRANCK CASE PAIR 4ST TRIAL | CTO. CÁRTER CENTRAL 4T TRIAL |
| 2 | M641 | JOINT CARTER CENTRAL 4T TRIAL | CENTRAL CRANCK CASE GASKET 4ST TRIAL | JUNTA CÁRTER CENTRAL 4T TRIAL |
| 3 | M646 | CARTER ALLUMAGE 4T TRIAL | IGNITION COVER 4ST TRIAL | TAPA INCENDIDO 4T TRIAL |
| 4 | 1761 | JOINT CARTER ALUMAGE 149,6X2 4T TRIAL | IGNITION COVER GASKET 149,6X2 4 TRIAL | JUNTA TAPA ENCENDIDO 149,6X2 4T TRIAL |
| 5 | M577 | CARTER LATERAL DROITE 4T TRIAL | BOTTOM CLUTCH COVER 4T TRIAL | CARTER LATERAL DERECHO 4T TRIAL |
| 6 | M036 | JOINT CARTER LATERAL | CLUTCH GASKET | JUNTA CÁRTER LATERAL |
| 7 | M383 | COUVERCLE EMBRAYAGE 03 | CLUTCH COVER 03 | TAPETA EMBRAGUE 03 |
| 8 | M045 | JOINT TORIQUE 155 X2 | O-RING 155X2 | JUNTA TÓRICA 155X2 |
| 9 | M363 | AXE POMPE EAU EVOLUTION 3 | WATER PUMP AXELE EVOLUTION 3 | EJE BOMBA AGUA EVOLUCIÓN 3 |
| 10 | M364 | PIGNON POMPE EAU NYLON | PINION WATER PUMP NYLON | PIÑÓN BOMBA AGUA NYLON |
| 11 | M351 | TURBINE POMPE EAU EVOLUTION2 | WATERPUMP TURBINE EVOLUTION2 | TURBINA BOMBA AGUA EVOLUTION2 |
| 12 | M027 | ROULEMENT BILLE POMPE EAU 608,2RS | WATER PUMP BEARING 608,2RS | COJINETE BOMBA AGUA 608,2RS |
| 13 | M031 | JOINT POMPE A EAU 8X20X5DL | WATER PUMP SEAL 8X20X5DL | RETEN BOMBA AGUA 8X20X5DL |
| 14 | M276 | RONDELLE ALU DIAM 6X | GASKET RING X6 | ARANDELA COBRE X6 |
| 15 | M021 | BOUCHON REMPLISSAGE HUILE | CARTER FILTER TAP | TAPÓN LLENADO ACEITE CÁRTER |
| 16 | C929 | BOUCHON VIDANGE AIMANT 4T TRIAL | MAGNETIC OIL CAP 4T TRIAL | TAPÓN VACIADO IMANTADO 4T TRIAL |
| 17 | M162 | TORIQUE 10X2,5 BOUCHON HUIL | O-RING 10X2,5 OIL PLUG | TÓRICA 10X2,5 TAPÓN ACEITE |
| 18 | M049 | RONDELLE 8 X 14 X 0,5 | WASHER 8 X 14 X 0,5 | ARANDELA 8 X 14 X 0,5 |
| 19 | M642 | FILTRE A HUILE TRIAL | OIL FILTER TRIAL | FILTRO ACEITE TRIAL |
| 20 | M643 | BOUCHON FILTRE HUILE TRIAL | OIL FILTER CAP TRIAL | TAPÓN FILTRO ACEITE TRIAL |
| 21 | M030 | RONDELLE POMPE | PUMP WASHER | ARANDELA BOMBA |
| 22 | M380 | RONDELLE 6 X 12 X 0.3 POMPE EAU | WASHER 6 X 12 X 0.3 | ARANDELA 6 X 12 X 0.3 BOMBA AGUA |
| 23 | M644 | JOINT TORIQUE 24 X 2 BOUCHON FILTRE | JOINT TORIQUE BOUCHON FILTRE HUILE | JUNTA TÓRICA 24 X 2 TAPÓN FILTRO ACE. |
| 25 | M709 | VOYANT NIVEAU HUILE (17X10) 4T TRIAL | OIL LEVEL GAUGE (17X10) 4T TRIAL | VISOR NIVEL ACEITE (17X10) 4T TRIAL |
| 26 | C408 | VIS CHC 5X30 | SCREW CHC 5X30 | TORNILLO 5X30 |
| 27 | M250 | VIS CHC 5X16 | SCREW CHC 5X16 | TORNILLO 5X16 ALLEN |
| 28 | M384 | COUVERCLE POMPE EAU 03 | WATER PUMP COVER 03 | TAPA BOMBA AGUA 03 |
| 29 | M288 | VIS CHC 5X6 | SCREW CHC 5X6 | TORNILLO CHC 5X6 |
| 30 | M277 | RONDELLE ALU M5 0463 5X10 | GASKET RING X5 | ARANDELA COBRE X5 |
| 31 | M033 | JOINT TORIQUE COUVERCLE POMPE 37X2 | O-RING WATER PUMP COVER 37X2 | JUNTA TÓRICA TAPA BOMBA AGUA 37X2 |
| 32 | M253 | VIS CHC 6X30 0084 | SCREW CHC 6X30 | TORNILLO 6X30 |
| 33 | M170 | JOINT DOUBLE LEVRES 17X28X5DL | OIL SEAL 17X28X5DL | RETEN DOBLE LABIO 17X28X5DL |
| 34 | M077 | DOUILLE AIGUILLE HK1 712B | NEEDLE BEARING 17X23X12 | CASQUILLO DE AGUJAS 17X23X12 |
| 35 | M254 | VIS CHC 6X55 | SCREW CHC 6X55 | TORNILLO 6X55 ALLEN |

Groupe carters / Crankcase assembly / Grupo carters



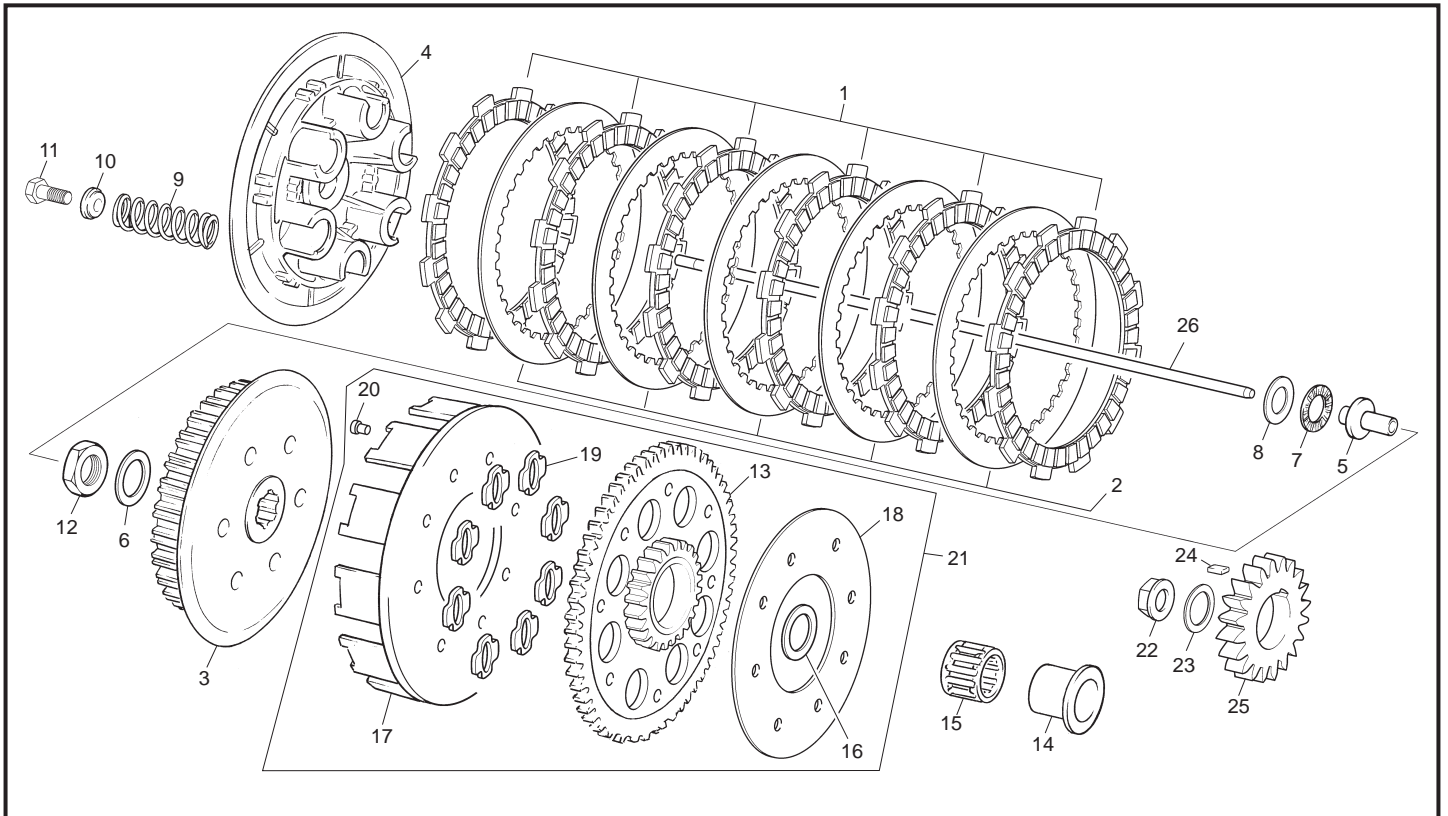
| POS. | 3.2 | FRANÇAIS | ENGLISH | ESPAÑOL |
|------|------|-------------------------|-------------------------|----------------------------|
| 36 | M257 | VIS CHC 6X60 | SCREW CHC 6X60 | TORNILLO 6X60 ALLEN |
| 37 | M256 | VIS CHC 6X45 | SCREW CHC 6X45 | TORNILLO 6X45 ALLEN |
| 38 | M022 | DOUILLE CENTRAGE CARTER | DOUILLE CENTRAGE CARTER | CASQUILLO CENTRADOR CARTER |
| 39 | M578 | IMAN | IMAN | IMAN |
| 40 | M666 | CLAPET | REED | LÁMINA |
| 41 | M667 | CLAPET BUTEE | STOP REED | TOPE LÁMINA |
| 42 | M661 | VIS CHC M3X5 | SCREW CHC M3X5 | TORNILLO M3X5 |
| 43 | 1424 | VIS CHC 6X35 NOR | SCREW CHC 6X35 NOR | TORNILLO 6X35 NOR |
| 44 | M274 | RONDELLE | GASKET | ARANDELA ESTRIADA |

Villebrequin assemble / Crankshaft assembly / Cigüeñal biela



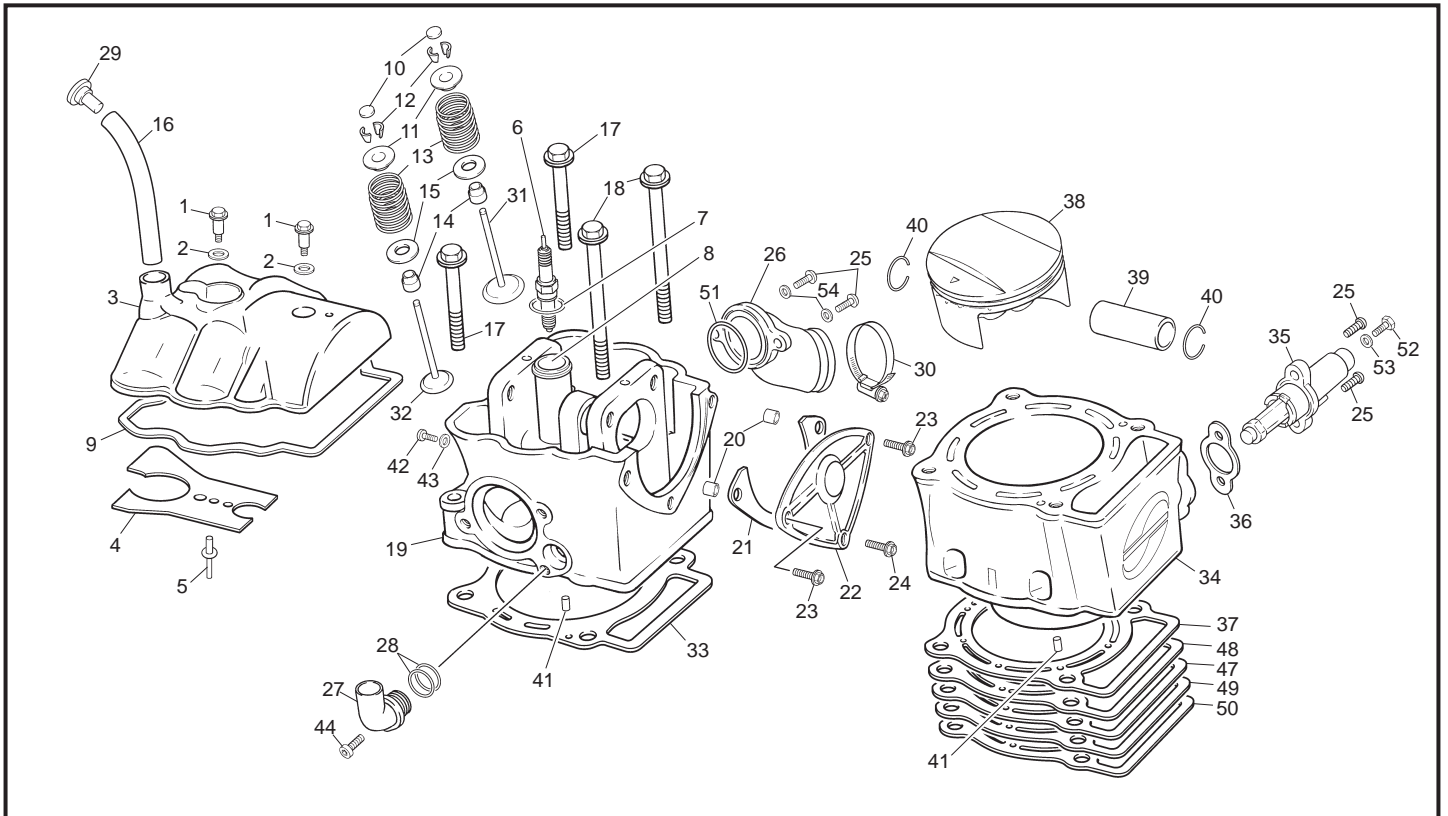
| POS. | 3.2 | FRANÇAIS | ENGLISH | ESPAÑOL |
|------|------|------------------------------------|----------------------------------|--------------------------------|
| 1 | M653 | VILLEBREQUIN CPL 4T TRIAL | CRANCKSHAFT ASSY 4ST TRIAL | CIGÜEÑAL CPL 4T TRIAL |
| 2 | M295 | ECROU | NUT | TUERCA VOLANTE |
| 3 | M665 | JOINT LEVRE 25 X 40 X 5 4T TRIAL | OIL SEAL 25 X 40 X 5 4T TRIAL | RETEN 25 X 40 X 5 4T TRIAL |
| 4 | M676 | KIT BIELLE 4T | CRANCKSHAFT REPAIR KIT 4T | KIT 4T |
| 5 | M669 | CLAVETTE VILO/DIST 19D 4T TRIAL | WOODRUFF KEY | CHAVETA 4X15 DIN 6885 FE |
| 6 | M023 | CLAVETTE DEMI LUNE VILO | WOODRUFF KEY | CHAVETA ENCENDIDO |
| 7 | M032 | JOINT LEVRE VILO 25X40X7DL | CRANKSAFT SEAL 25X40X7DL | RETEN CIGÜEÑAL 25X40X7DL |
| 8 | 1206 | ROULEMENT BILLE VILO 6206.TN9/C3 | CRANKSHAFT BEARING 6206.TN9 C3C3 | COJINETE CIGÜEÑAL 6206.TN9 C3 |
| 9 | M668 | ROULEMENT VILO NJ 206 ECP 4T TRIAL | BEARING NJ 206 ECP | RODAMIENTO NJ 206 ECP TRIAL 4T |
| 10 | 1382 | RONDELLE BELLEVILLE 22,4x1,7x3.05 | SPRING WASHER 22,4x1,7x3.05 | ARANDELA CONICA 22,4x1,7x3.05 |

Embrayage / Clutch / Embrague



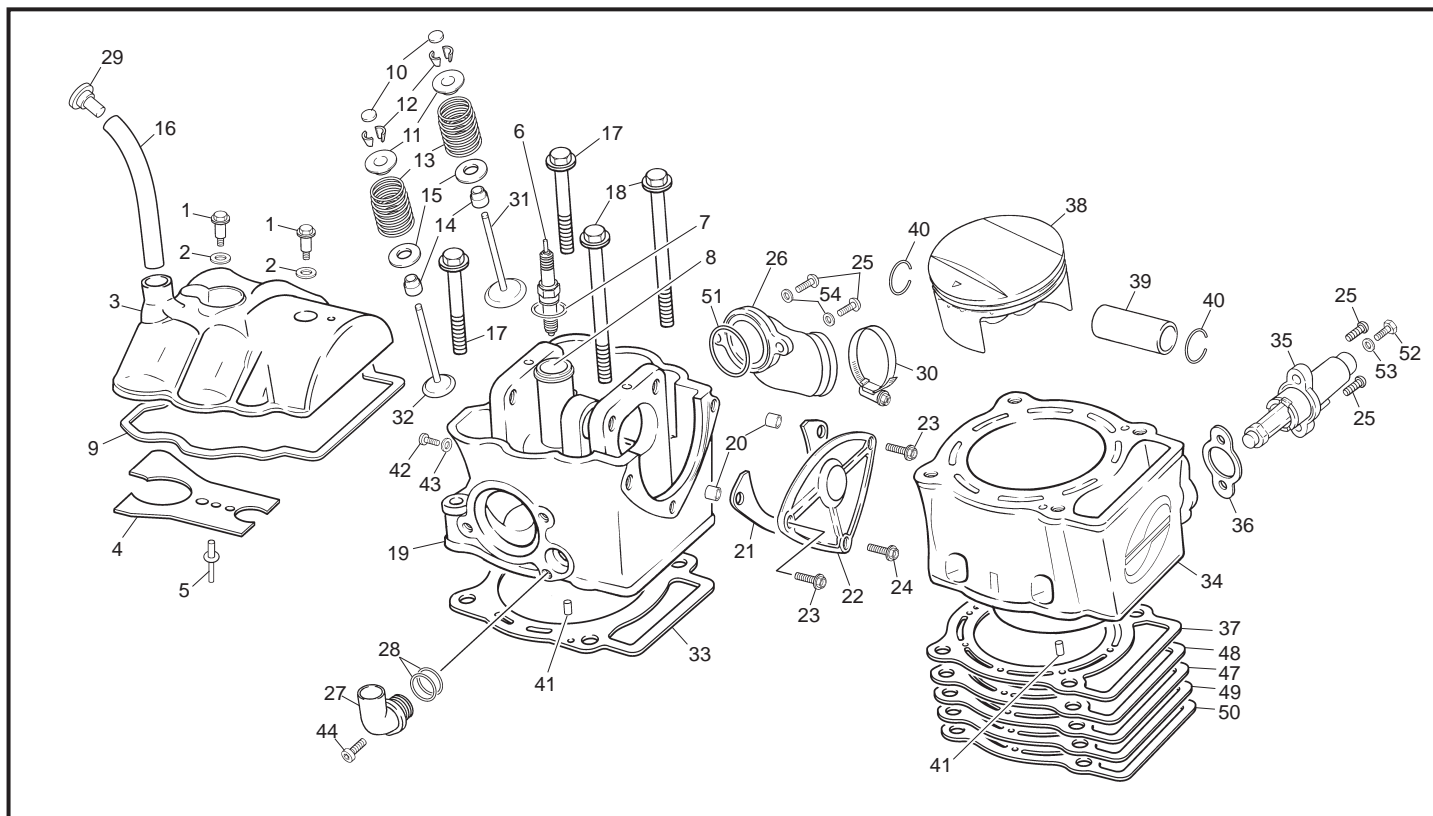
| POS. | 3.2 | FRANÇAIS | ENGLISH | ESPAÑOL |
|------|------|-----------------------------------|---------------------------------|------------------------------------|
| 1 | M080 | DISQUE GARNI | FRICTION CLUTCH DISK | DISCO EMBRAGUE FORRADO |
| 2 | M081 | DISQUE LISE | METAL CLUTCH DISK | DISCO EMBRAGUE METÁLICO |
| 3 | M083 | NOYAU | CLUTCH HUB | CUBO EMBRAGUE |
| 4 | M084 | PLATEAU | CLUTCH PRESSURE PLATE | PLATO EMBRAGUE |
| 5 | M085 | POUSSOIR AXIAL | CLUTCH ACTUATOR | PULSADOR AXIAL |
| 6 | M087 | RONDELLE BELLEVILLE 16,3x31,5x1,5 | BELLEVILLE WASHER 16,3X31,5X1,5 | ARANDELA FIJACIÓN 16,3X31,5X1,5 |
| 7 | M090 | BUTEE AIGUILLE EMB AXK1226A | CLUTCH BEARING | CASQ. AGUJAS EMBRAGUE AXK1226A |
| 8 | M091 | RONDELLE BUTEE AS 12X26X1 | THRUST WASHER 12X26X1 | ARANDELA AS 12X26X1 |
| 9 | M092 | RESSORT EMB | CLUTCH SPRING | MUELLE EMBRAGUE |
| 10 | M093 | RONDELLE EMB | CLUTCH SPRING WASHER | ARANDELA EMBRAGUE |
| 11 | M094 | VIS EMB | CLUTCH SPRING SCREW | TORNILLOS MUELLE EMBRAGUE |
| 12 | M293 | ECROU NOYAU EMB M16X125 | HEX NUT CLUTCH M16X125 | TUERCA CUBO EMBRAGUE |
| 13 | M201 | ROUE PRIMAIRE | PRIMARY DRIVE CLUTCH PINON | RUEDA PRIMARIA |
| 14 | M203 | DOUILLE ROUE PRIMAIRE | SPACER PRIMARY DRIVE | CASQUILLO RUEDA PRIMARIA |
| 15 | M205 | CAGE A AIGUILLE 25x33x24 | NEEDLE BEARING 25x33x24 | JAULA AGUJAS 25X33X24 |
| 16 | M208 | RONDELLE BUTEE R PRIM INA AS 2035 | PRIMARY WASHER AS 2035 | ARANDELA TOPE PRIMARIA INA AS 2035 |
| 17 | M357 | HOLDER CLOCHE | CLUTCH BASKET | CAMPANA EMBRAGUE |
| 18 | M359 | RONDELLE | SHIM | PLATO REMACHES |
| 19 | M358 | SILENT BLOCK | SILENT BLOCK | SILENTBLOCK |
| 20 | M270 | RIVET 4X15 | RIVET 4X15 | REMACHE 4X15 |
| 21 | M360 | GROUPE CLOCHE | CLUTCH HUB BASKET ASSEMBLY | CONJUNTO CAMPANA |
| 22 | M295 | ECROU 14 X 125 | HEX NUT M14 X 125 | TUERCA M14 X 125 |
| 23 | M206 | RONDELLE BELLEVILLE 14,2X28X1,5 | SPRING WASHER | ARANDELA CÓNICA 14,2X28X1,5 |
| 24 | M204 | CLAVETTE PIGNON PRIMAIRE | WOODRUFF KEY PRIMARY DRIVE | CHAVETA PIÑÓN PRIMARIA |
| 25 | M200 | PIGNON PRIMAIRE | PRIMARY DRIVE CRANK PINON | PIÑÓN PRIMARIO |
| 26 | M086 | TIGE EMBRAYAGE | CLUTCH SHAFT | VARILLA EMBRAGUE |

Culasse / Cylinder head / Culata



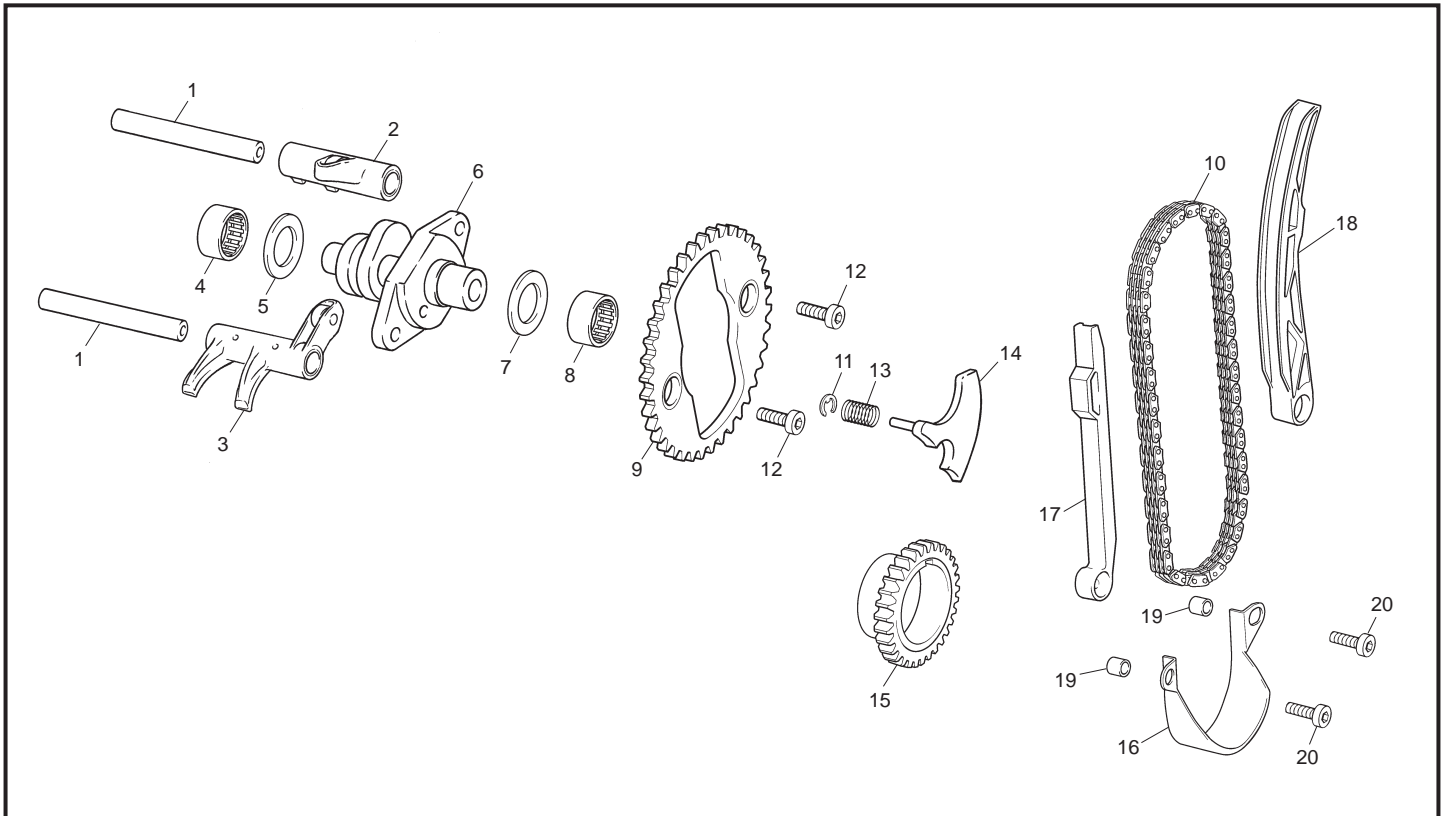
| POS. | 3.2 | FRANÇAIS | ENGLISH | ESPAÑOL |
|------|------|---------------------------------------|-------------------------------------|--|
| 1 | 1289 | VIS COUVERCLE SUPERIEUR 4T TRIAL 07 | SCREW 07 | TORNILLO TAPA SUPERIOR 07 |
| 2 | 1290 | JOINT TORIQUE 4,47 X 1,78 | O RING 4,47 X 1,78 | TÓRICA 4,47 X 1,78 |
| 3 | M627 | COUVERCLE CULASSE TRIAL | CYLINDER HEAD COVER TRIAL | TAPA CULATA TRIAL |
| 4 | M628 | TOLE REPARTITION HUILE TRIAL | TOLE REPARTITION HUILE TRIAL | CHAPA SOBRE BALANCIN TRIAL |
| 5 | M722 | RIVET 4 X 6 | RIVET 4 X 6 | REMACHE 4 X 6 |
| 6 | M673 | BOUGIE BCP6E 4T TRIAL | SPARK PLUG BCP6E 4T TRIAL | BUJÍA BCP6E TRIAL 4T |
| 7 | M672 | TORIQUE 21,95 X 1,78 TUBE BOUGIE | O-RING 21,95 X 1,78 SPARK PLUG PIPE | TÓRICA 21,95 X 1,78 TUB O BUJÍA 4T TRIAL |
| 8 | M629 | SPARK PLUG TUB 4T TRIAL | SPARK PLUG TUB 4T TRIAL | TUBO BUJÍA |
| 9 | M630 | JOINT COUVERCLE CULASSE TRIAL | CYLINDER HEAD COVER GASKET TRIAL | JUNTA TAPA CULATA |
| 10 | M607 | PASTILLE 1.8 REGLAGE SOUPAPE TRIAL | ADJUSTING VALVE PADS1.8TRIAL | PASTILLA 1.8 REGLAJE VÁLVULA TRIAL |
| 10 | M696 | PASTILLE 1.40 REGLAGE SOUPAPE TRIAL | ADJUSTING VALVE PADS1.40 TRIAL | PASTILLA 1.40 REGLAJE VÁLVULA TRIAL |
| 10 | M697 | PASTILLE 1.45 REGLAGE SOUPAPE TRIAL | ADJUSTING VALVE PAD1.45 TRIAL | PASTILLA 1.45 REGLAJE VÁLVULA TRIAL |
| 10 | M698 | PASTILLE 1.50 REGLAGE SOUPAPE TRIAL | ADJUSTING VALVE PADS 1.50 TRIAL | PASTILLA 1.50 REGLAJE VÁLVULA TRIAL |
| 10 | M699 | PASTILLE 1.55 REGLAGE SOUPAPE TRIAL | ADJUSTING VALVE PADS 1.55 TRIAL | PASTILLA 1.55 REGLAJE VÁLVULA TRIAL |
| 10 | M700 | PASTILLE 1.60 REGLAGE SOUPAPE TRIAL | ADJUSTING VALVE PADS 1.60 TRIAL | PASTILLA 1.60 REGLAJE VÁLVULA TRIAL |
| 10 | M701 | PASTILLE 1.65 REGLAGE SOUPAPE TRIAL | ADJUSTING VALVE PADS 1.65 TRIAL | PASTILLA 1.65 REGLAJE VÁLVULA TRIAL |
| 10 | M702 | PASTILLE 1.7 REGLAGE SOUPAPE TRIAL | ADJUSTING VALVE PADS 1.70 TRIAL | PASTILLA 1.70 REGLAJE VÁLVULA TRIAL |
| 10 | M703 | PASTILLE 1.75 REGLAGE SOUPAPE TRIAL | ADJUSTING VALVE PADS 1.75 TRIAL | PASTILLA 1.75 REGLAJE VÁLVULA TRIAL |
| 10 | M730 | PASTILLE 1.23 REGLAGE SOUPAPE TRIAL | ADJUSTING VALVE PADS 1.23 TRIAL | PASTILLA 1.23 REGLAJE VÁLVULA TRIAL |
| 10 | M731 | PASTILLE 1.25 REGLAGE SOUPAPE TRIAL | ADJUSTING VALVE PADS 1.25 TRIAL | PASTILLA 1.25 REGLAJE VÁLVULA TRIAL |
| 10 | M732 | PASTILLE 1.28 REGLAGE SOUPAPE TRIAL | ADJUSTING VALVE PADS 1.28 TRIAL | PASTILLA 1.28 REGLAJE VÁLVULA TRIAL |
| 10 | M733 | PASTILLE 1.30 REGLAGE SOUPAPE TRIAL | ADJUSTING VALVE PADS 1.30 TRIAL | PASTILLA 1.30 REGLAJE VÁLVULA TRIAL |
| 10 | M734 | PASTILLE 1,33 REGLAGE SOUPAPE TRIAL | ADJUSTING VALVE PADS 1,33 TRIAL | PASTILLA 1,33 REGLAJE VÁLVULA TRIAL |
| 10 | M735 | PASTILLE 1,35 REGLAGE SOUPAPE TRIAL | ADJUSTING VALVE PADS 1,35 TRIAL | PASTILLA 1,35 REGLAJE VÁLVULA TRIAL |
| 11 | M609 | COUPELLE SOUPAPE TRIAL | VALVE SPRING CUP TRIAL | SOMBRERETE |
| 12 | M608 | DEMICONE SOUPAPE TRIAL | HALF CONE VALVE TRIAL | CONO VÁLVULA |
| 13 | M602 | RESSORT SOUPAPE TRIAL | SPRING VALVE TRIAL | MUELLE VÁLVULA |
| 14 | M611 | JOINT SOUPAPE 4T TRIAL | VALVE SEAL 4T TRIAL | RETEN VÁLVULA |
| 15 | M671 | RONDELLE INF RESSORT SOUPAPE 4T TRIAL | WASHER SPRING VALVE 4T TRIAL | ARANDELA MUELLE VÁLVULA |
| 16 | C757 | DURITE | RUBBER TUBE | MANGUITO |
| 17 | M648 | VIS SPECIALE M8 X 115 | SPECIAL SCREW M8 X 115 | TORNILLO ESPECIAL M8 X 115 |
| 18 | M649 | VIS SPECIALE M8 X 135 | SPECIAL SCREW M8 X 135 | TORNILLO ESPECIAL M8 X 135 |
| 19 | M695 | CULASSE SIMPLE | CYLINDER HEAD | CULATA MECANIZADA |
| 20 | M022 | DOUILLE CENTRAGE CARTER | DOUILLE CENTRAGE CARTER | CASQUILLO CENTRADOR CÁRTER |
| 21 | M624 | JOINT COUVERCLE ARBRE CAM 0.5 mm | COVER SHAFT CAM GASKET 0.5 mm | JUNTA TAPA ÁRBOL LEVAS 0.5 mm |
| 22 | M621 | COUVERCLE ARBRE CAM TRIAL | CAM SHAFT COVER TRIAL | TAPA ÁRBOL CAM TRIAL |
| 23 | M279 | VIS BHC 6 X 16 | SCREW BHC 6 X 16 | TORNILLO 6 X 16 ULS |

Culasse / Cylinder head / Culata



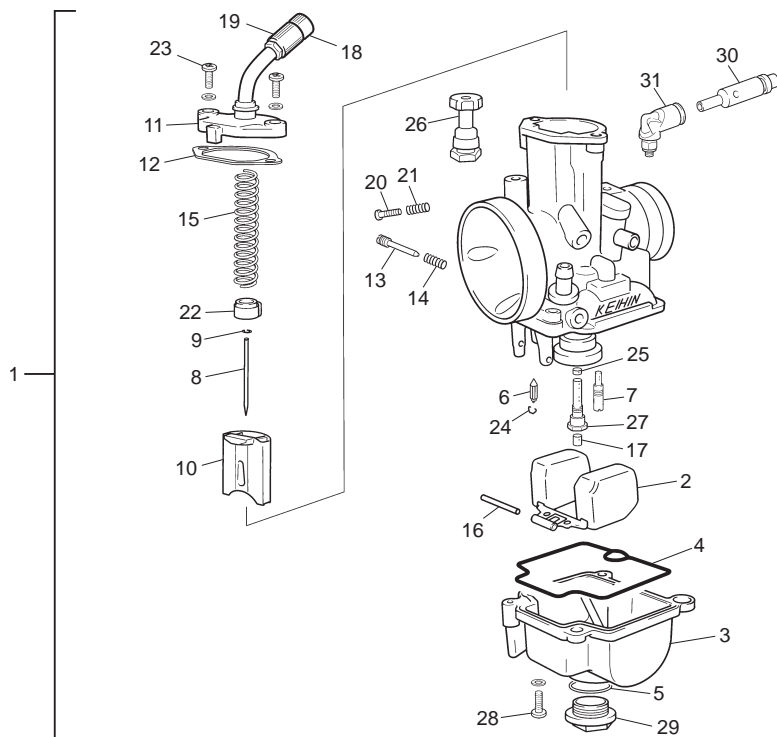
| POS. | 3.2 | FRANÇAIS | ENGLISH | ESPAÑOL |
|------|------|--------------------------------------|--------------------------------|--------------------------------------|
| 24 | M282 | VIS BHC 6 X 10 | SCREW BHC 6 X 10 | TORNILLO 6 X 10 ULS |
| 25 | M251 | VIS CHC 6 X 16 | SCREW CHC 6 X 16 | TORNILLO 6 X 16 DIN 912 |
| 26 | M652 | PIPE ADMISSION 4T TRIAL | ADMISION PIPE 4ST TRIAL | TUBERA ADMISIÓN |
| 27 | M650 | TUBE SORTIE EAU 4T TRIAL | WATER EXIT TUB 4ST TRIAL | TUBO SALIDA AGUA |
| 28 | M651 | JOINT 13,10 X 1,6 SORTIE EAU | WATER EXIT O SEAL 13,10 X 1,6 | TÓRICA 13,105 X 1,6 TUBO SALIDA AGUA |
| 29 | M710 | BOUCHON TUBE EXPANSION | CAP EXPANSION PIPE 4T | TAPÓN TUBO EXPANSIÓN |
| 30 | C120 | COLLIER NORMA 30/45 | COLLARD NORMA 30/45 | ABRAZADERA NORMA 30/45 |
| 31 | M603 | SOUPAPE ADMISSION | INLET VALVE | VÁLVULA ADMISIÓN |
| 32 | M604 | SOUPAPE ECHAPPEMENT TRIAL | EXHAUST VALVE TRIAL | VÁLVULA ESCAPE |
| 33 | M655 | JOINT CULASSE 0.8 MM | CILINDER HEAD GASKET 0.8MM | JUNTA CULATA 0.8MM |
| 34 | M638 | CYLINDRE | CILINDER | CILINDRO |
| 35 | 0084 | TENDEUR DE CHAINE AUTOMATIQUE END | CHAIN TENSIONER ENGIN END | SENSOR CADENA DISTR. AUTO. |
| 36 | 0428 | JOINT TENDEUR CHAINE END 450 | TENSOR CHAIN GASKET END 450 | JUNTA TENSOR CADENA |
| 37 | M654 | JOINT EMBASE CYLINDRE 4T TRIAL 0,5MM | CILINDER GASKET 4T TRIAL 0,5MM | JUNTA BASE CILINDRO 0,5MM |
| 38 | M664 | PISTON SEUL DIAM 82 4T TRIAL | PISTON DIAM 82 4T TRIAL | PISTÓN DIAM 82 4T TRIAL |
| 38 | M737 | PISTON "B" 81'95 | PISTON "B" 81'95 | PISTÓN "B" 81'95 |
| 38 | M738 | PISTON "C" 81'96 | PISTON "C" 81'96 | PISTÓN "C" 81'96 |
| 39 | M693 | AXE PISTON | PISTON PIN | BULON PISTÓN |
| 40 | M694 | CIRCLIP PISTON | CIRCLIP PISTON | CIRCLIP PISTÓN |
| 41 | 0200 | AIGUILLES DE CENTRAGE NR | PIN NBR 4X9,8 CRAN/CYL | AGUJA CENTRADO NRB 4X9,8 CART/CIL |
| 42 | M288 | VIS CHC 5X6 1093 | SCREW CHC 5X6 | TORNILLO CHC 5X6 |
| 43 | M277 | RONDILLE ALU M5 0463 5X10 | GASKET RING X5 | ARANDELA COBRE X5 |
| 44 | M278 | VIS BHC 5 X10 | SCREW BHC 5X10 | TORNILLO 5 X 10 ULS |
| 47 | 1174 | JOINT EMBASE CYLINDRE 4T 0,20 MM | GASKET / CYLINDER 0,20 MM | JUNTA CILINDRO 0,20 MM |
| 48 | 1175 | JOINT EMBASE CYLINDRE 4T 0,30 MM | GASKET / CYLINDER 0,30 MM | JUNTA CILINDRO 0,30 MM |
| 49 | 1176 | JOINT EMBASE CYLINDRE 4T 0,40 MM | GASKET / CYLINDER 0,40 MM | JUNTA CILINDRO 0,40 MM |
| 50 | M654 | JOINT EMBASE CYLINDRE 4T 0,50 MM | GASKET / CYLINDER 0,50 MM | JUNTA CILINDRO 0,50 MM |
| 51 | 1461 | TORICA | GASKET RUBBERA | TÓRICA |
| 52 | 0592 | VIS | SCREW | TORNILLO |
| 53 | M276 | RONDILLE Ø6 | WASHER Ø6 | ARANDELA Ø6 |
| 54 | M317 | RONDILLE Ø6 | WASHER Ø6 | ARANDELA Ø6 |

Distribution / Camshaft and drive assembly / Distribución

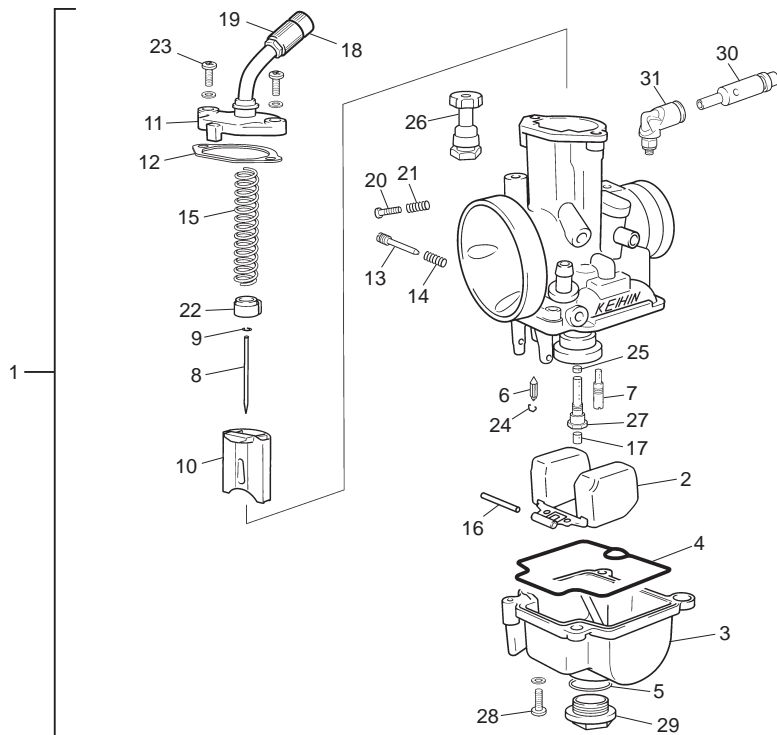


| POS. | 3.2 | FRANÇAIS | ENGLISH | ESPAÑOL |
|------|------|--------------------------------------|--------------------------------------|--------------------------------------|
| 1 | M616 | AXE CULBUTEUR TRIAL | ROCKER ARMS SPINDLE TRIAL | EJE BALANCÍN |
| 2 | M612 | CULBUTEUR ADMISSION TRIAL | INLET ROCKER ARMS TRIAL | BALANCÍN ADMISIÓN |
| 3 | M613 | CULBUTEUR ECHAPPEMENT TRIAL | EXHAUST ROKER ARMS TRIAL | BALANCÍN ESCAPE |
| 4 | M618 | DOUILLE AIGUILLE NK1212 | NEEDL BEARING NK1212 | COJINETE AGUJAS NK 1212 |
| 5 | M575 | RONDELLE CALAGE PS 14X20X0.5 DIN 988 | WASHER CALAGE PS 14X20X0,5 DIN 988 | ARANDELA DE AJUSTE 14X20X0,5 DIN 988 |
| 6 | M725 | ARBRE A CAM TRIAL EVO 1 | CAM SHAFT TRIAL EVO 1 | ÁRBOL LEVAS EVO 1 |
| 7 | M576 | RONDELLE CALAGE PS 12X18X0.5 DIN 988 | WASHER CALAGE PS 12X18X0.5 DIN 988 | ARANDELA DE AJUSTE 12X18X0,5 DIN 988 |
| 8 | M619 | DOUILLE AIGUILLE RNA 4900 | NEEDL BEARING RNA 4900 | COJINETE AGUJAS RNA 4900 |
| 9 | M632 | PIGNON ARBRE CAM 32D TRIAL | CAM SHAFT PINION 32T TRIAL | PIÑÓN ÁRBOL DE LEVAS |
| 10 | M631 | CHAINE DISTRIB TRIAL | CHAIN CAM SHAFT TRIAL | CADENA DISTRIBUCIÓN |
| 11 | M626 | CIRCLIP E5 DIN 6799 DE DECOMPRESSEUR | CIRCLIP DE DECOMPRESSEUR DIN 6799 E5 | CIRCLIP E5 DIN 6799 DESCOMPRESOR |
| 12 | M712 | VIS CHC M6X8 DIN 912 12,9 | SCREW CHC M6X8 DIN 912 12,9 | TORNILLO M6X8 DIN 912 12,9 |
| 13 | M622 | RESSORT DECOMPRESSEUR TRIAL | DECOMPRESSOR SPRING TRIAL | MUELLE DECOMPRESOR |
| 14 | M724 | DECOMPRESSEUR AUTOMATIQUE TRIAL | DECOMPRESSOR AUTOMATIC TRIAL EVO 1 | DESCOMPRESOR EVO 1 |
| 15 | M633 | PIGNON DIST/ VILO 16 D TRIAL | PIGNON DIST/ VILO 16 D TRIAL | PIÑÓN DISTRI. CIGÜEÑAL |
| 16 | M634 | RECUPERATEUR HUILE CHAINE DIST TRIAL | RECUPERATEUR HUILE CHAINE DIST TRIAL | RECUPERADOR ACEITE |
| 17 | M635 | GUIDE CHAINE DIST TRIAL | CAM STENSOR GUIDE CHAIN DIST TRIAL | GUÍA CADENA DIST. |
| 18 | M636 | GUIDE TENDEUR CHAINE DIST TRIAL | TENSOR GUIDE CHAIN DIST TRIAL | GUÍA TENSOR CADENA DIST. |
| 19 | C930 | DOUILLE GUIDE CHAINE DISTRIBUTION 4T | DISTRIBUTION GUIDE CHAIN SPACER | CASQUILLO GUÍA CADENA DIST. |
| 20 | M251 | VIS CHC 6 X 16 1093 | SCREW CHC 6 X 16 | TORNILLO 6 X 16 ULS |

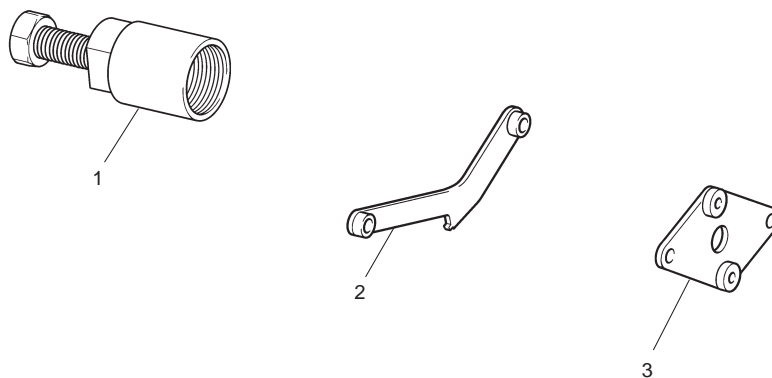
Carburateur / Carburetor / Carburador



| POS. | 3.2 | FRANÇAIS | ENGLISH | ESPAÑOL |
|------|------|-------------------------------------|-------------------------------------|-------------------------------------|
| 1 | 1425 | CARBURATEUR COMPLET 4T | CARBURETOR COMPLETE 4T | CARBURADOR COMPLETO 4T |
| 2 | 1330 | FLOTEUR DE CARBU. KEIHIN | CARBU. FLOTEUR KEIHIN | BOYA CARBU. KEIHIN |
| 3 | 1331 | CUVE CARBURATEUR KEIHIN | CARBURETOR CUVE KEIHIN | CUBA CARBURADOR KEIHIN |
| 4 | 1333 | VIS FIXATION CUVE KEIHIN | SCREW FIXATION CUVE KEIHIN | TORNILLO CUBA CARBU. KEIHIN |
| 5 | 1334 | JOINT TORIQUE CUVA | O-RING FLOAT | TÓRICA CUBETA |
| 6 | 1335 | POINTEAU CARBU. KEIHIN | POINTEAU CARBU. KEIHIN | VÁLVULA AGUJA KEIHIN |
| 7 | 1403 | GICLEUR RALENTI 42 KEIHIN | PILOT JET 42 KEIHIN | CHICLE RALENTÍ 42 KEIHIN |
| 7 | 1336 | GICLEUR RALENTI 45 KEIHIN | PILOT JET 45 KEIHIN | CHICLE RALENTÍ 45 KEIHIN |
| 7 | 1337 | GICLEUR RALENTI 52 KEIHIN | PILOT JET 52 KEIHIN | CHICLE RALENTÍ 52 KEIHIN |
| 7 | 1338 | GICLEUR RALENTI 55 KEIHIN | PILOT JET 55 KEIHIN | CHICLE RALENTÍ 55 KEIHIN |
| 7 | 1339 | GICLEUR RALENTI 48 KEIHIN | PILOT JET 48 KEIHIN | CHICLE RALENTÍ 48 KEIHIN |
| 7 | 1327 | GICLEUR RALENTI 50 KEIHIN | PILOT JET 50 KEIHIN | CHICLE RALENTÍ 50 KEIHIN |
| 8 | 1340 | AIGUILLE CARBU. KEIHIN JFH | AIGUILLE CARBU. JFH | AGUJA CARBU. JFH |
| 8 | 1341 | AIGUILLE CARBU. KEIHIN JJH | AIGUILLE CARBU. JJH | AGUJA CARBU. JJH |
| 9 | 1342 | CLIP AIGUILLE CARBU. KEIHIN | CLIP AIGUILLE CARBU. KEIHIN | CLIP AGUJA CARBU. KEIHIN |
| 10 | 1326 | BOISSEAU KEIHIN 3.5 | CARBU. VALVE KEIHIN 3.5 | CAMPANA KEIHIN 3.5 |
| 10 | 1343 | BOISSEAU KEIHIN 4.0 | CARBU. VALVE KEIHIN 4.0 | CAMPANA KEIHIN 4.0 |
| 11 | 1344 | COUVERCLE BOISSEAU KEIHIN | CARBU. COVER KEIHIN | TAPA CARBU. KEIHIN |
| 12 | 1345 | COUVERCLE BOISSEAU GASKET KEIHIN | JOINT COVER KEIHIN | JUNTA TAPA CARBU.KEIHIN |
| 13 | 1346 | VIS REGUL ESSENCE CARBU. KEIHIN | SCREW REGUL PETROL CARBU. KEIHIN | TORNILLO AIRE KEIHIN |
| 14 | 1347 | RESSORT VIS ESSENCE CARBU. KEIHIN | SPRING SCREW REGUL PETROL CARBU. | MEULLE TRONILLO AIRE KEIHIN |
| 15 | 1348 | RESSORT CARBU. KEIHIN | SPRING CARBU. KEIHIN | MUELLE CARBU. KEIHIN |
| 16 | 1351 | AXE BALANCIER FLOTEUR CARBU. KEIHIN | PIN BALANCIER FLOTEUR CARBU. KEIHIN | EJE BALANCÍN FLATADOR CARBU. KEIHIN |
| 17 | 1402 | GICLEUR PRINCIPAL 115 KEIHIN | MAIN JET 115 KEIHIN | CHICLE PRINCIPAL 115 KEIHIN |
| 17 | 1352 | GICLEUR PRINCIPAL 118 KEIHIN | MAIN JET 118 KEIHIN | CHICLE PRINCIPAL 118 KEIHIN |
| 17 | 1353 | GICLEUR PRINCIPAL 120 KEIHIN | MAIN JET 120 KEIHIN | CHICLE PRINCIPAL 120 KEIHIN |
| 17 | 1248 | GICLEUR PRINCIPAL 122 KEIHIN | MAIN JET 122 KEIHIN | CHICLE PRINCIPAL 122 KEIHIN |
| 17 | 1347 | GICLEUR PRINCIPAL 125 KEIHIN | MAIN JET 125 KEIHIN | CHICLE PRINCIPAL 125 KEIHIN |
| 18 | 1354 | ADAPTE CABLE KEIHIN | CABLE ADJUSTING BOLT KEIHIN | AJUSTE CABLE GAS KEIHIN |
| 19 | 1355 | ECROU ADAPTE CABLE KEIHIN | NUT CABLE ADJUSTING BOLT KEIHIN | TUERCA AJUSTE CABLE GAS KEIHIN |
| 20 | 1356 | VIS REGUL GAS CARBU. KEIHIN | KIT SCREW REGUL GAS KEIHIN | TORNILLO RELANTÍ KEIHIN |
| 21 | 1357 | RESSORT VIS REGUL GAS CARBU. KEIHIN | SPRING SCREW REGUL GAS KEIHIN | MUELLE TORNILLO RELANTÍ KEIHIN |
| 22 | 1358 | DOUILLE NYLON RESSORT GAZ | FOOTREST NYLON GAS | CASQUILLO NYLON MUELLE KEIHIN |
| 23 | 1359 | VIS FIXATION COUVERCLE BOISSEAU | SCREW COVER KEIHIN | TORNILLO FIJACIÓN TAPA CAMPANA |

Carburateur / Carburetor / Carburador


| POS. | 3.2 | FRANÇAIS | ENGLISH | ESPAÑOL |
|------|------|-----------------------------------|------------------------------|---------------------------------|
| 24 | 1349 | CLIP VALVE KEIHIN | CLIP FLOAT VALVE KEIHIN | CLIP VÁLVULA KEIHIN |
| 25 | 1407 | PULVERISATEUR INFERIEUR 4T KEIHIN | LOWER SPRAYER 4T KEIHIN | PULVERIZADOR INFERIOR 4T KEIHIN |
| 26 | 1329 | GROUPE STARTER KEIHIN | CHOKE SET REPLACEMENT KEIHIN | CTO. ESTÁRTER RECAMBIO KEIHIN |
| 27 | 1406 | NEEDLE JET HOLDER 4T KEIHIN | NEEDLE JET HOLDER 4T KEIHIN | NEEDLE JET HOLDER 4T KEIHIN |
| 28 | 1350 | VIS FIXATION CUVE KEIHIN | SCREW FLOT KEIHIN | TORNILLO FIJACIÓN CUBA KEIHIN |
| 29 | 1332 | JOINT COVE CARBU. KEIHIN | FLOT CHAMBER GASKET | JUNTA CUBA CARBU. KEIHIN |
| 30 | 1191 | STARTER | STARTER | ESTÁRTER EN CALIENTE |
| 31 | 1374 | RACCORD STARTER | STARTER RACCORD | RACORD ESTÁRTER EN CALIENTE |



| POS. | 3.2 | FRANÇAIS | ENGLISH | ESPAÑOL |
|------|------|------------------------------------|--------------------------------|-----------------------------------|
| 1 | R474 | EXTRACTEUR VOLANT 4T TRIAL | FLUING EXTRACTOR 4T TRIAL | EXTRACTOR VOLANTE 4T TRIAL |
| 2 | R478 | OUTIL PMH 4T TRIAL | TOOL FLUING EXTRACTOR 4T TRIAL | ÚTIL PMS 4T TRIAL |
| 3 | R479 | OUTIL COLEGE DISTRIBUTION 4T TRIAL | TOOL 4T TRIAL | ÚTIL CALEDO DISTRIBUCIÓN 4T TRIAL |

created by: www.clandissey.com

PLAY WITH GRAVITY

SHERCO

recambios@sherco-moto.com

www.sherco-moto.com

2007

SKF



MICHELIN

Leonelli

MINERVA OIL

SHERCO
Motorcycles