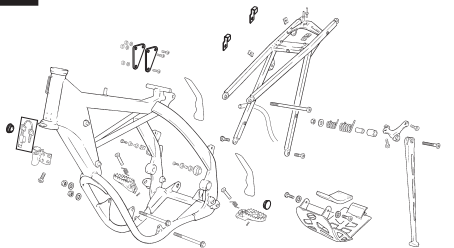
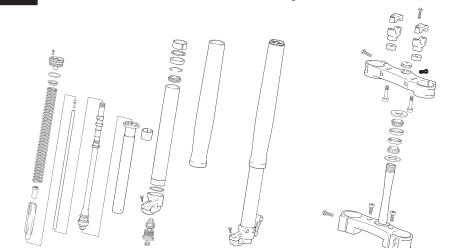
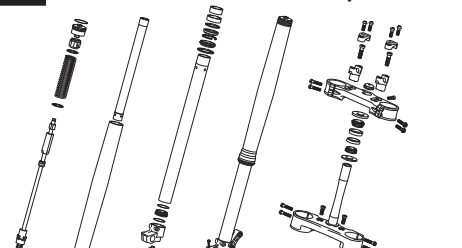
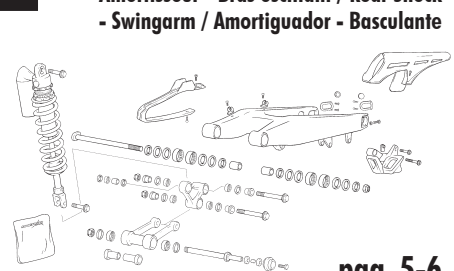
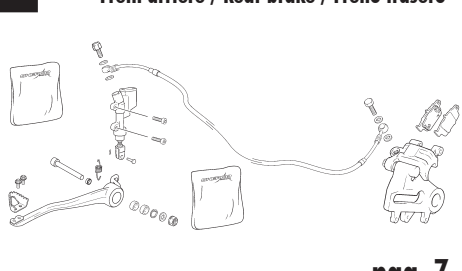
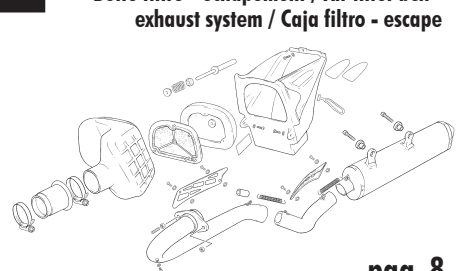
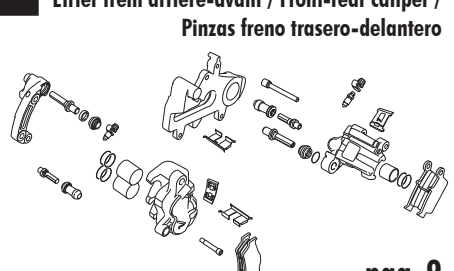
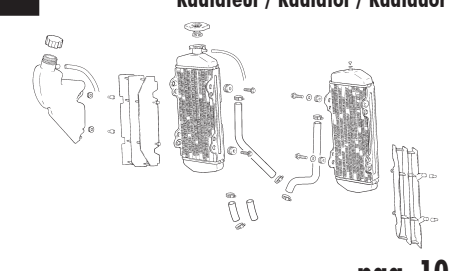
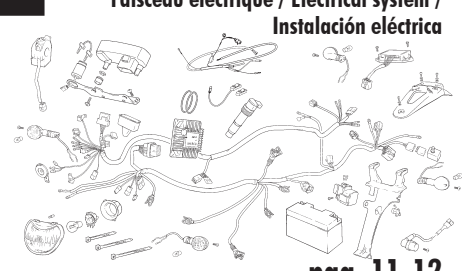
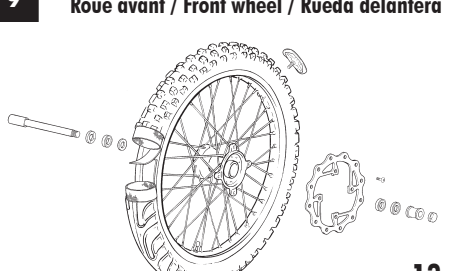
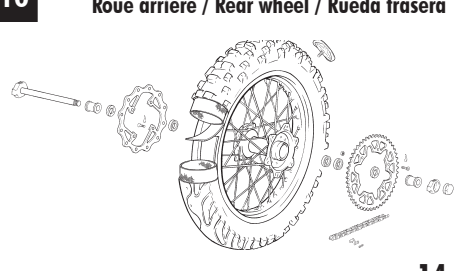
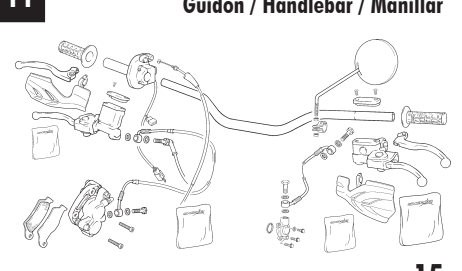
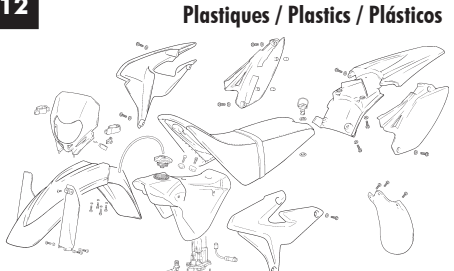

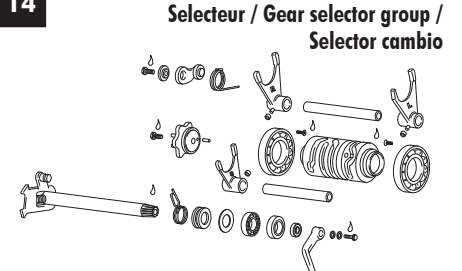


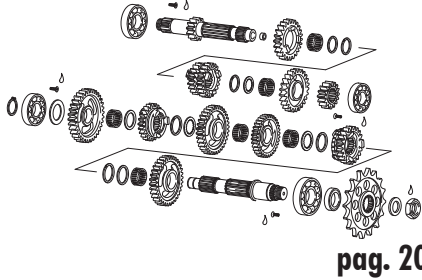


Spare part's book **11**
SE 2.5i-FR
SE 3.0i-FR

SHERCO
Motorcycles

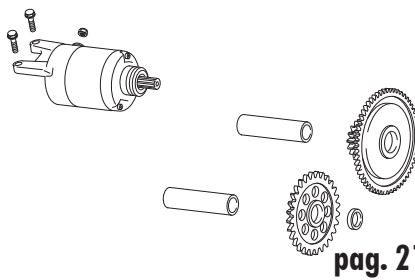
<p>1 Cadre / Frame / Chasis</p>  <p>pag. 1 - 2</p>	<p>2 Fourche / Fork / Horquilla Paioli 46mm</p>  <p>pag. 3</p>	<p>2 Fourche / Fork / Horquilla Sachs</p>  <p>pag. 4</p>
<p>3 Amortisseur - Bras oscillant / Rear Shock - Swingarm / Amortiguador - Basculante</p>  <p>pag. 5-6</p>	<p>4 Frein arriere / Rear brake / Freno trasero</p>  <p>pag. 7</p>	<p>5 Boite filtre - echapement / Air filter box - exhaust system / Caja filtro - escape</p>  <p>pag. 8</p>
<p>6 Etrier frein arriere-avant / Front-rear caliper / Pinzas freno trasero-delantero</p>  <p>pag. 9</p>	<p>7 Radiateur / Radiator / Radiador</p>  <p>pag. 10</p>	<p>8 Faisceau électrique / Electrical system / Instalación eléctrica</p>  <p>pag. 11-12</p>
<p>9 Roue avant / Front wheel / Rueda delantera</p>  <p>pag. 13</p>	<p>10 Roue arriere / Rear wheel / Rueda trasera</p>  <p>pag. 14</p>	<p>11 Guidon / Handlebar / Manillar</p>  <p>pag. 15</p>
<p>12 Plastiques / Plastics / Plásticos</p>  <p>pag. 16-17</p>	<p>13 Adhesif / Sticker / Adhesivo</p>  <p>pag. 18</p>	<p>14 Selecteur / Gear selector group / Selector cambio</p>  <p>pag. 19</p>

15 Boite a vitesses / Gear set / Cambio



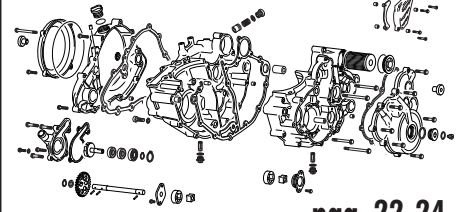
pag. 20

16 Demarreur / Starter Motor / Motor Starter



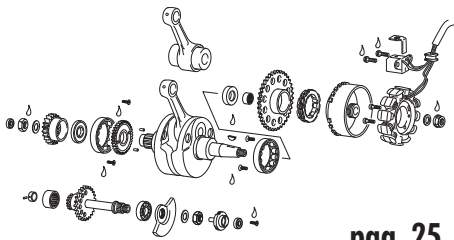
pag. 21

17 Groupe carters / Crankcase assembly / Grupo carters



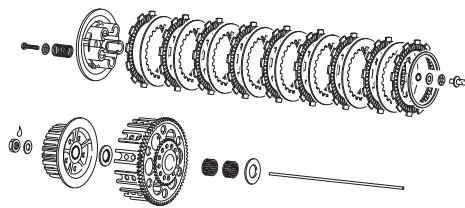
pag. 22-24

18 Villebrequin assemble / Crankshaft assembly / Cigüeñal biela



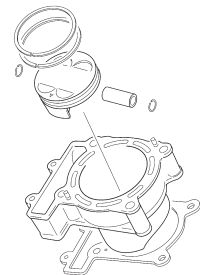
pag. 25

19 Embrayage / Clutch / Embrague



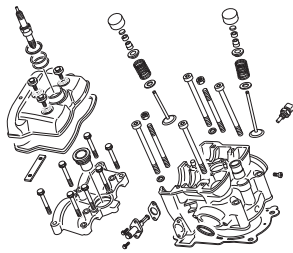
pag. 26

20 Cylindre / Cylinder / Cilindro



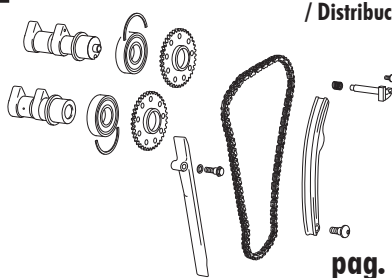
pag. 27

21 Culasse / Cylinder head / Culata



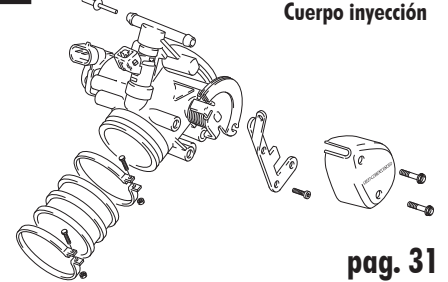
pag. 28-29

22 Distribution / Camshaft and drive assembly / Distribución



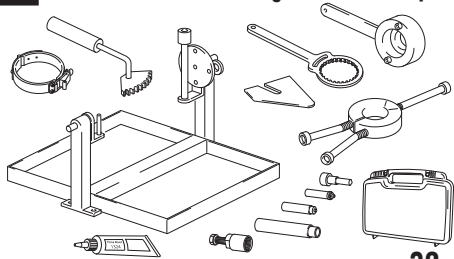
pag. 30

23 Corps injection / Injector body / Cuerpo inyección

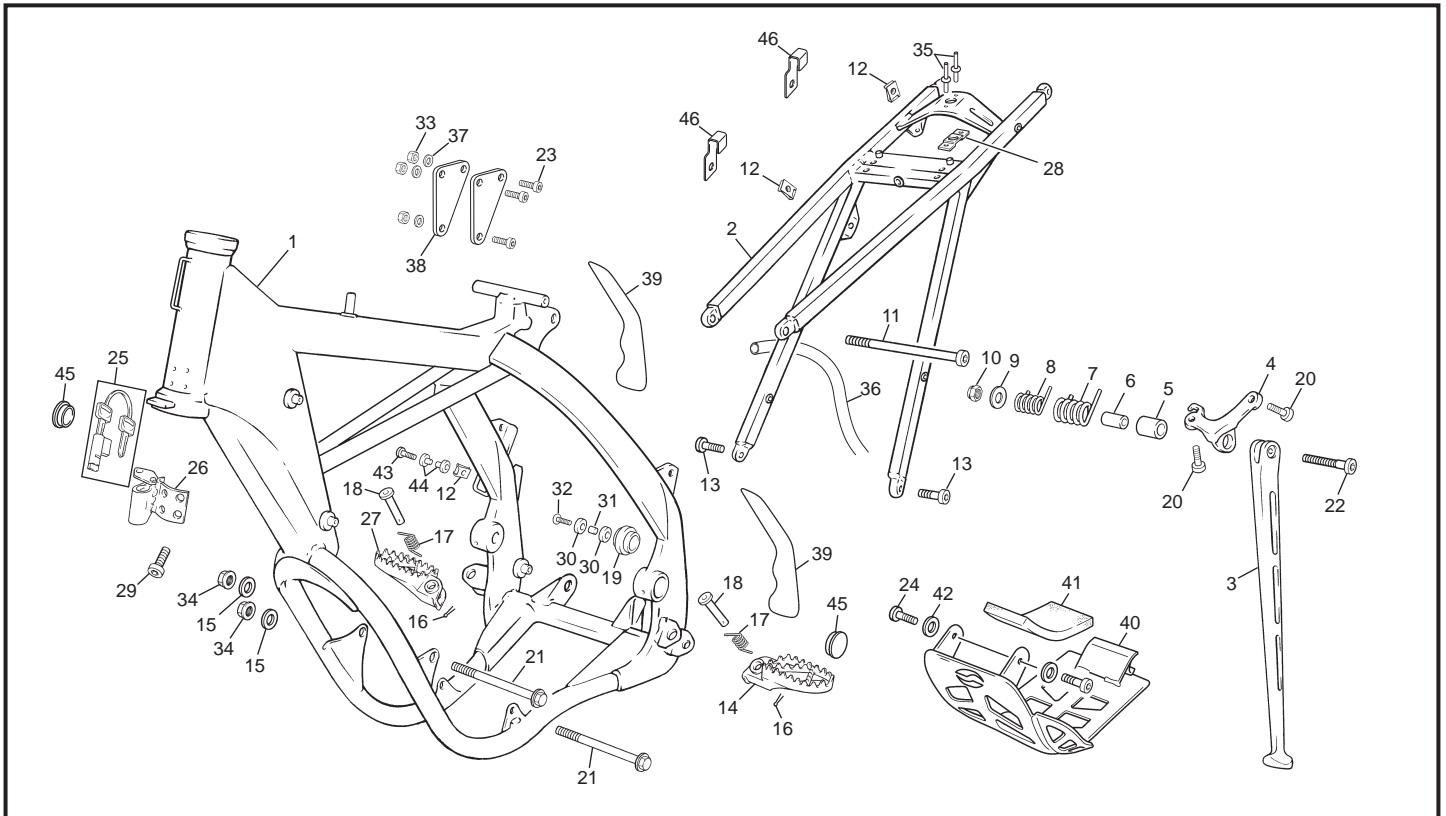


pag. 31

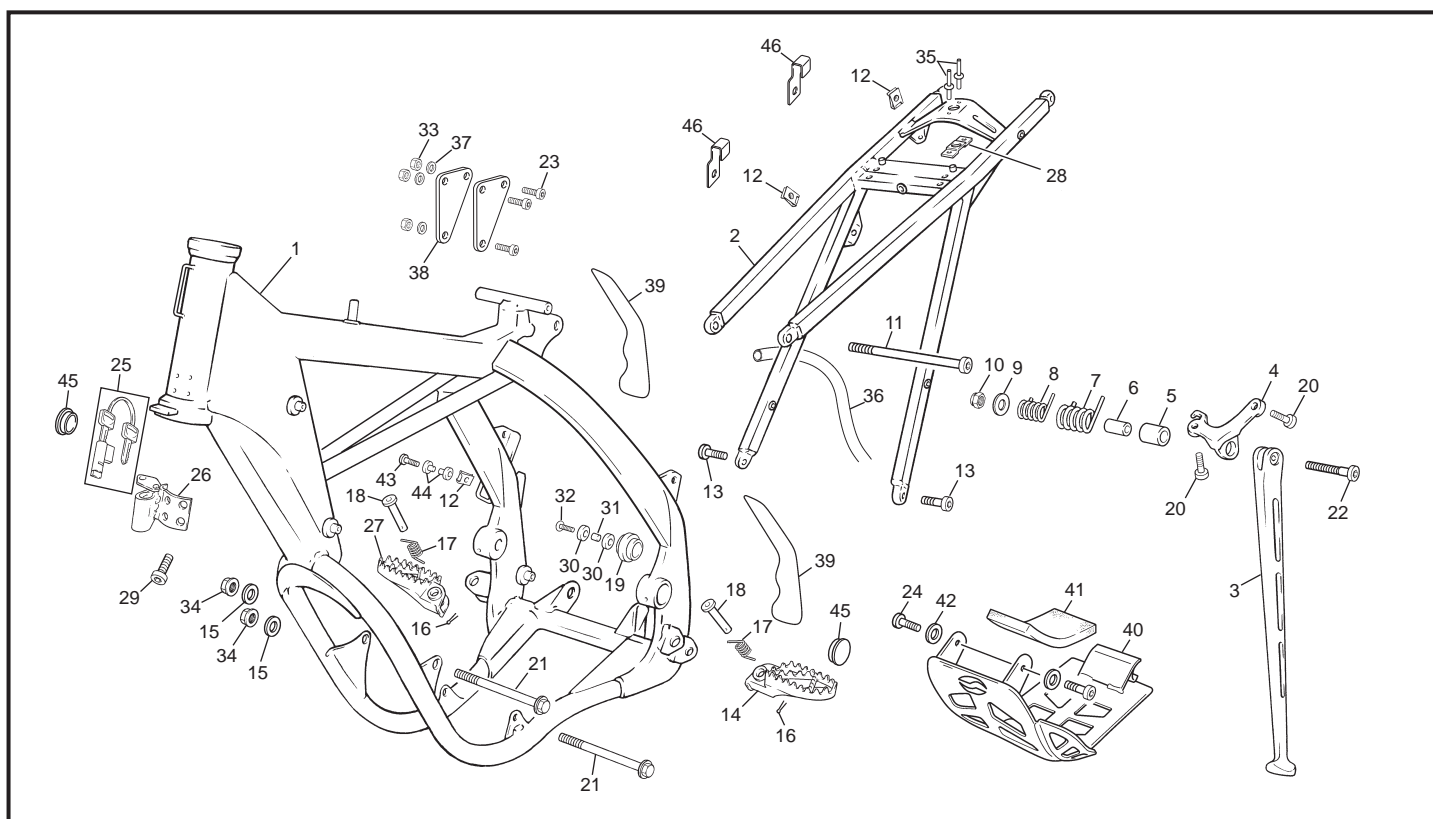
24 Outillage / Tools / Uillajes



pag. 32

Cadre / Frame / Chasis


POS.	SE 2.5 / 3.0i F/R	FRANÇAIS	ENGLISH	ESPAÑOL
1	3251	CADRE BLEU	FRAME BLUE	CHASIS AZUL
2	0224	BERCEAU ARRIERE	REAR SUB FRAME	SOPORTE SILLÍN
3	0300	BEQUILLE ALU	SIDE STAND ALU	CABALLETE ALUMINIO
4	0301	SUPPORT DE BEQUILLE	STAND HOLDER	SOPORTE CABALLETE
5	0481	ENTRETOISE RESSORT BEQUILLE	STAND SPACER E	CASQUILLO CABALLETE
6	0516	ENTRETOISE INT BEQUILLE	SPACER INT STAND	CASQUILLO INT. CABALLETE
7	0479	RESSORT BEQUILLE EXT	SPRING STAND EXT	MUELLE CABALLETE EXT.
8	0305	RESSORT DE BEQUILLE INT	STAND SPRING INT	MUELLE CABALLETE INT.
9	M320	RONDELLE 10 X 30 X 2.5	WASHER 10X30X2.5	ARANDELA 10X30X2.5 DIN 9021
10	M304	ECROU NYLSTOP M10 0368.10	NUTNYLSTOPM10	TUERCA NYLSTOP M10
11	0603	VIS CHC M8X124 BERCEAU ARR	SCREW BHCM 8X124	TORNILLO M8X124
12	M308	ECROU CLIP M6	NUT CLIP M6	TUERCA CLIP M6
13	0607	VIS CHC EPAULE M8 X 16	SCREW BHC M8 X 16	TORNILLO ULS CON VALONA M8 X 16
14	0227	REPOSE PIED GAUCHE	LEFT FOOT REST	ESTRIBO IZQUIERDO
15	M315	RON. DIAM 10 X 1.5 AXE REPOSE PIED	WASHERDIAM 10X1.5	ARANDELA DIAM. 10 X 1.5 DIN 125 A
16	0240	GOUPILLE 3.2X20	COTTER	PASADOR DIN 94 3.2X20
17	0229	RESSORT REPOSE PIED	FOOT REST PIN	MUELLE ESTRIBERA
18	0230	AXE REPOSE PIED	FOOT REST AXEL	EJE ESTRIBERA
19	0231	GALET DE CHAINE	CHAIN GUIDE ROLLER	RODILLO CADENA
20	C413	VIS CHC 8 X 16	SCREW CHC 8 X 16	TORNILLO M8 X 16
21	1672	AXE MOTEUR 10 X 135	ENGINE MOUNTING BOLT 10 X 135	EJE MOTOR 10 X 135
22	0482	VIS BEQUILLE	STAND SCREW	TORNILLO CABALLETE
23	0580	VIS THEP M8 X 40	SCREW THEP M8 X 40	TORNILLO THEP M8 X 40
24	0546	VIS THEP 6 X 20	SCREW THEP 6 X 20	TORNILLO THEP 6X20
25	0225	ANTIVOL DE DIRECTION	STEERING LOCK KEY	ANTI ROBO DIRECCIÓN
26	0449	SUPPORT ANTIVOL DIRECTION	STEERING LOCK HOLDER	SOPORTE ANTI ROBO
27	0226	REPOSE PIED DROIT	RIGHT FOOT REST	ESTRIBO DERECHO
28	0531	PLAQUE DZUS	PLAQUE DZUS	RECEPTÁCULO DZUS
29	0562	VIS ANTIMANIPULATION ANTIVOL	TAMPER PROOF SCREW	TORNILLO ANTI MANI. ANTIRROBO
30	0577	ROULEMENT 22 X 8 X 7	BEARING 22 X 8 X 7	RODAMIENTO 22X8X7
31	0556	DOUILLE GALET CHAINE	SPACER	CASQUILLO RODILLO CADENA
32	0578	VIS THEP M8 X 30	SCREW THEP M8 X 30	TORNILLO THEP M8X30
33	M305	ECROU M8 NYLSTOP	MUT M8 NYLSTOP	TUERCA M8 NYLSTOP
34	0703	ECROU NYLSTOP EPAULE M10	NUT NYLSTOP M10	TUERCA NYLSTOP CON VALONA M10

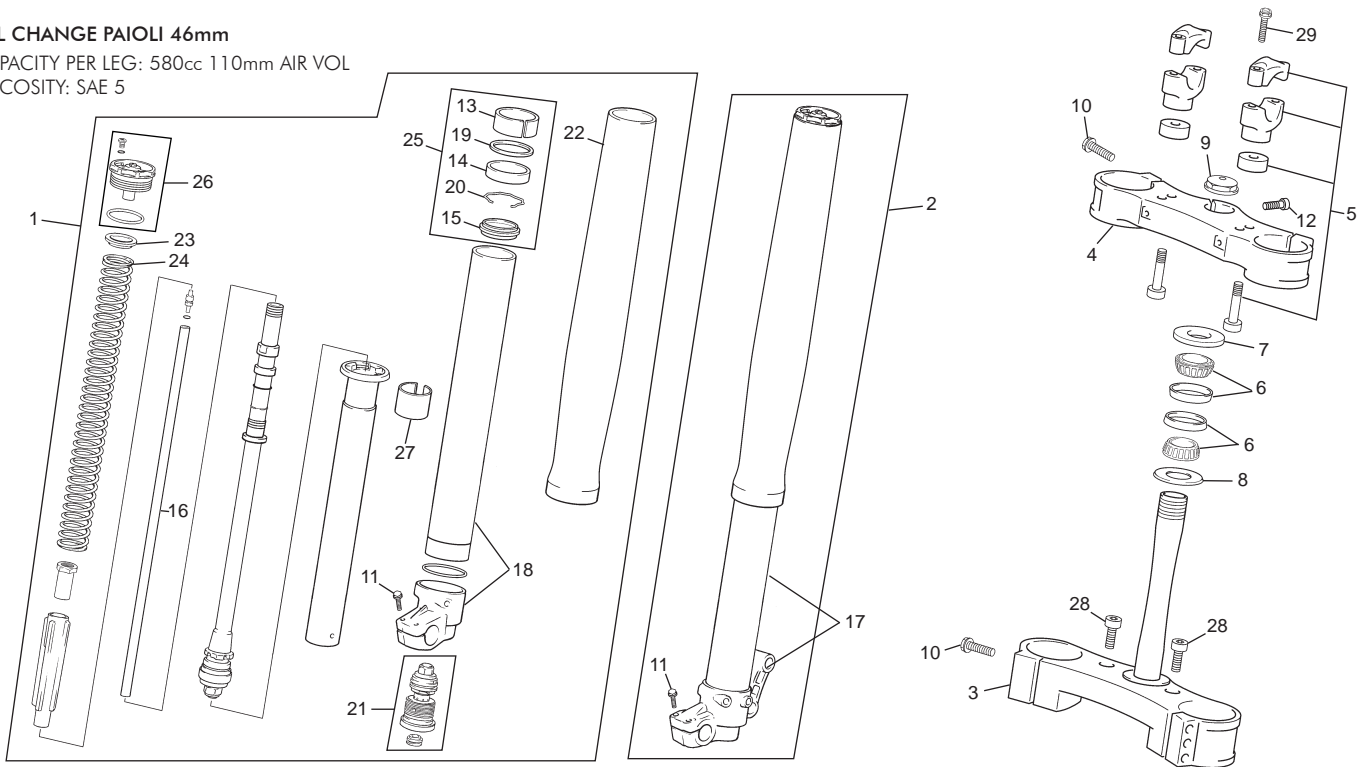
Cadre / Frame / Chasis


POS.	SE 2.5 / 3.0i F/R	FRANÇAIS	ENGLISH	ESPAÑOL
35	0701	RIVET 3X10	RIVET 3X10	REMACHE 3X10
36	1962	DURITE RENIFLARD HUILE	OIL BREATHING HOUSER 850 END 450	TUBO VENTILACIÓN DESETE L850 450
37	C430	RONDELLE M8	WASHER M8	ARANDELA M8
38	2537	SUPPORT CULASSE	HEAD CYLINDRE SUPORT	SOPORTE CULATA
39	3248	PROTECTEUR CADRE	FRAME PROTECTOR	PROTECTOR CHASIS
39	2961	PROTECTEUR CADRE JEUX CARBONNE	CARBON FRAME PROTECTOR SET	PROTECTOR CUADRO CARBONO
40	1994	SABOT ALU.	SKID PLATE	PROTECTOR CARTER
40	2220	SABOT PLASTIQUE AXP RACING	SKID PLATE PLASTIC RACING	PROTECTORES CARTER PLATIC RACING
41	1253	MOUSSE CARTER	FOAM CRANKCASE	ESPUMA MOTOR
42	C427	RONDELLE M6X15	WASHER M6X15	ARANDELA M6X15
43	0547	VIS THEP M6x30	SCREW THEP M6x30	TORNILLO THEP M6x30
44	0274	SILENBLOC SILENCIEUX	RUBBER SILENCER	GOMA SILENCIOSO
45	3019	BOUCHON AXE BRAS OSCILLANT	CAP SWINGRAM SHAFT	TAPÓN EJE BASCULANTE
46	2115	TÔLE RENFORT BOUCLE AR	REAR FRAME BRACKETS	CHAPA SILLÍN REFUERZO

Fourche / Fork / Horquilla Paioli 46mm

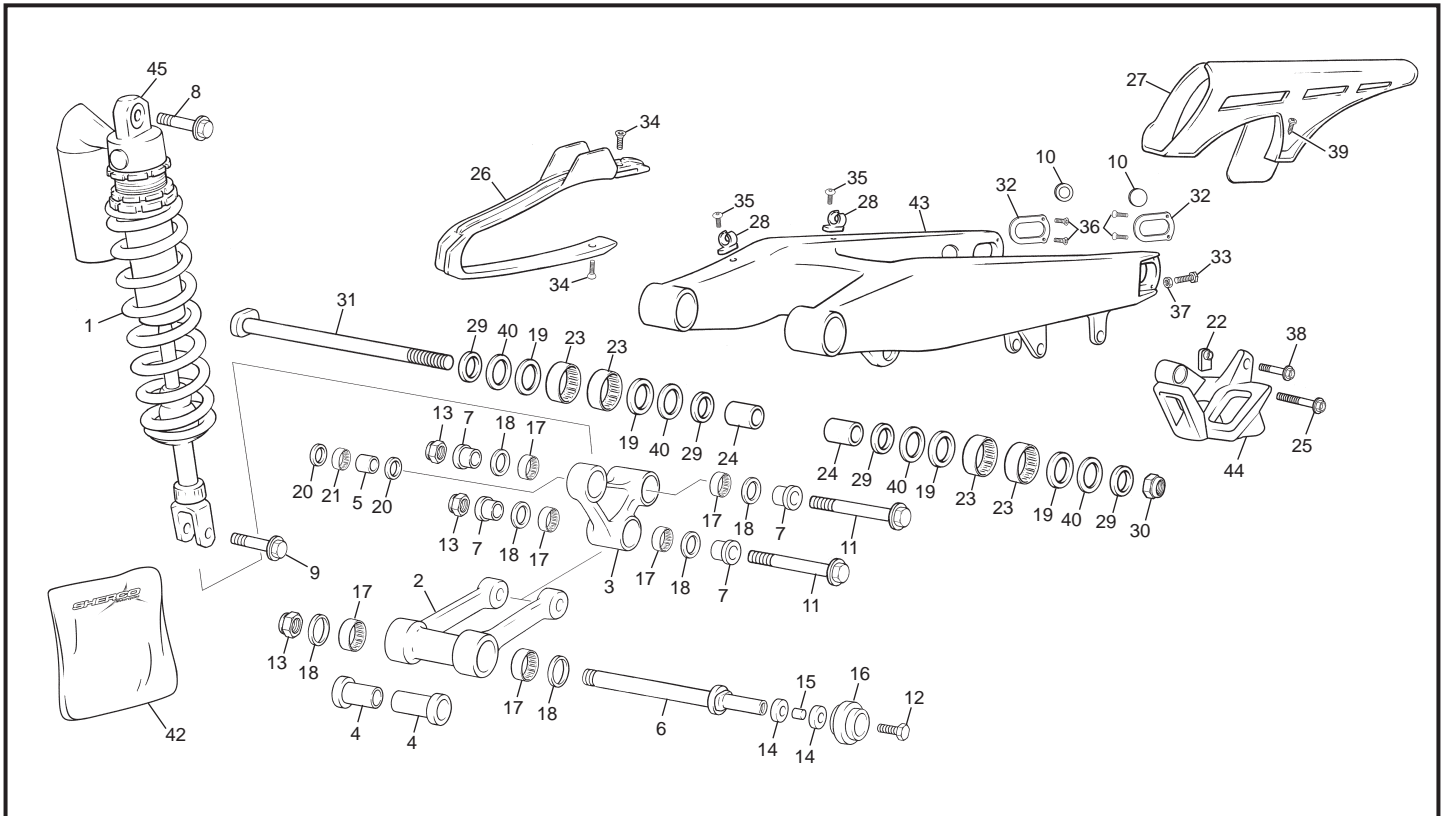
OIL CHANGE PAIOLI 46mm

CAPACITY PER LEG: 580cc 110mm AIR VOL
 VISCOSITY: SAE 5



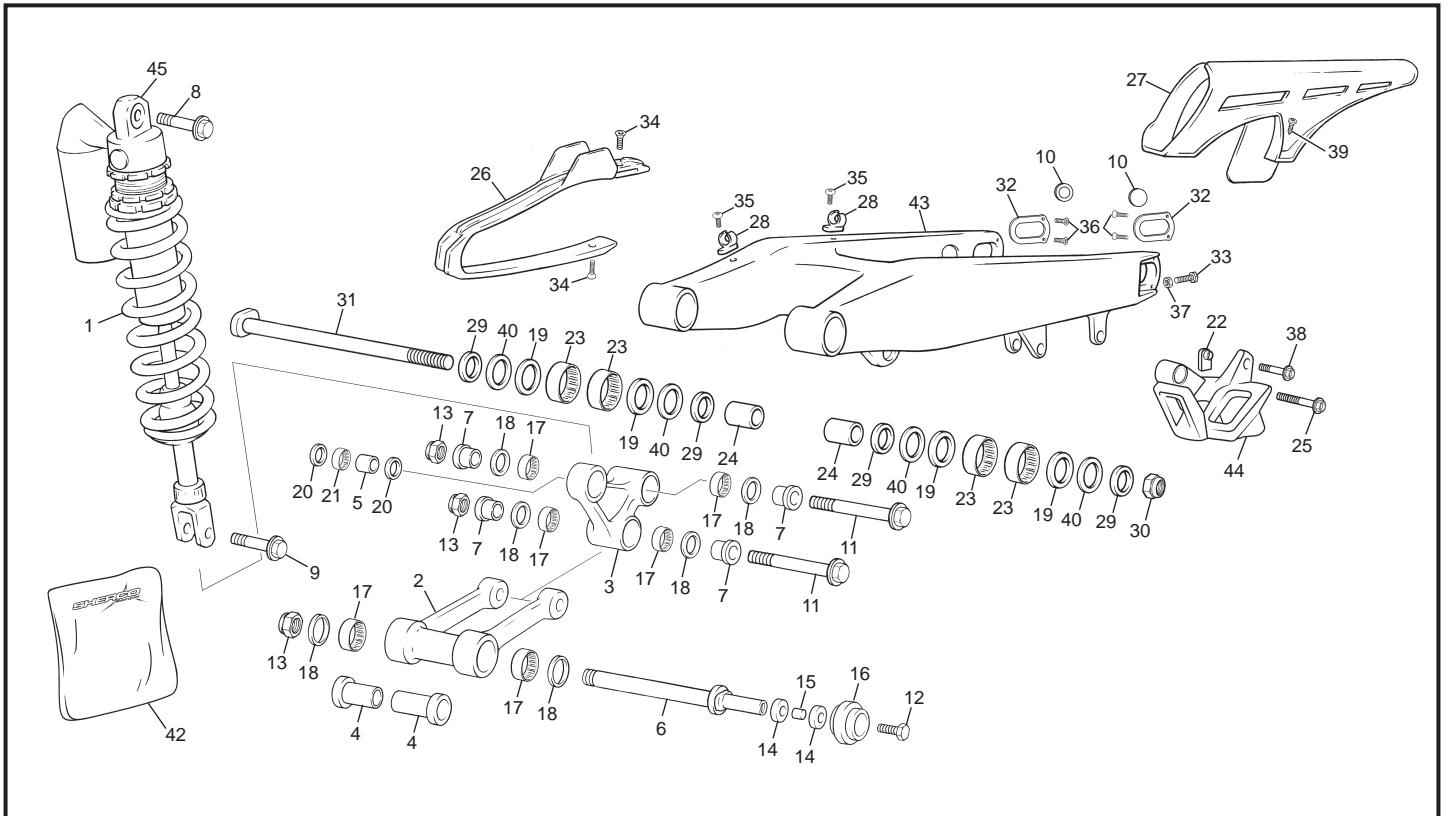
POS.	SE 2.5 / 3,0 F	FRANÇAIS	ENGLISH	ESPAÑOL
1	2089	JAMBE DROITE CPL PAIOLI Ø46	RIGHT FORK LEG PAIOLI Ø46	BARRA HORQUILLA DER. PAIOLI Ø46
2	2088	JAMBE GAUCHE CPL PAIOLI Ø46	LEFT FORK LEG PAIOLI Ø46	BARRA HORQUILLA IZQ. PAIOLI Ø46
3	1903	T FOURCHE INF.	BOTTON PLAT FORK	PLATINA INF. HORQUILLA
4	1902	T FOURCHE SUP.	UPPER PLAT FORK	PLATINA SUP. HORQUILLA
5	1413	BRIDES GUIDON CPL	HANDLEBAR CLAMPS	BRIDAS MANILLAR CPL
6	0353	ROULEMENT DIRECTION 320/28X/Q	BEARING 320/28X/Q	RODAMIENTO DIRECCIÓN 320/28X/Q
7	0354	PROTECTEUR SUP COLONNE DIREC.	BEARING SHIELD	PROTECTOR COJINETE DIRECCIÓN
8	0410	JOINT DIRECTION INF	SEAL	JUNTA DIRECCIÓN INF.
9	0460	ECROU PIVOT DIRECTION	STEERING SHAFT NUT	TUERCA EJE DIRECCIÓN
10	0580	VIS THEP M8X40	TRIPLE CLAMP SCREWS	TORNILLO THEP M8X40
11	0547	VIS THEP 6X30	SCREW THEP 6X30	TORNILLO THEP 6X30
12	0578	VIS THEP M8X30	SCREW THEP M8X30	TORNILLO THEP M8X30
13	0720	GLACIER DU	SPACER	CASQUILLO TEFLÓN
14	0721	JOINT SPIE 450	FORK OIL SEAL	RETÉN
15	0722	CACHE POUSSIÈRE	DUST SEAL	GUARDAPOLVO
16	1951	GROUPE CARTOUCHE	PUMPING DEVICE COMPL.	GRUPO CARTUCHO
17	0752	GROUPE TUBE GAUCHE	FORK TUBE LEFT	GRUPO TUBO IZQUIERDO
18	0753	GROUPE TUBE DROITE	FORK TUBE RIGHT	GRUPO TUBO DERECHO
19	0754	RONDELLE JOINT SPIE	SEAL WASHER	ARANDELA RETÉN
20	0755	SERGER JOINT SPIE	SEAL CLIP	SEEGER RETÉN
21	0756	GROUPE REGULATEUR COMPRESION	REGULATION COMPRES. GROUP	GRUPO REGULACIÓN COMPRESIÓN
22	2104	GROUPE JAMBE NOIR	SIDE FORK ASSEMBLY BLACK	GRUPO BARRA NEGRO
23	0758	RONDELLE APPUI RESSORT	PLASTIC SPACER FOR SPRING	ARANDELA APOYO MUELLE
24	1952	RESSORT FOURCHE	FORK SPRING	MUELLE HORQUILLA
25	0760	KIT JOINTS	KIT REPAIR FORK OIL SEAL	KIT RETENES
26	0761	GROUPE BOUCHON JAMBES	FORK CAP	GRUPO TAPÓN BARRAS
27	0762	DU JAMBE	DU FRICTION	RASCADOR DU
28	1945	VIS CHC M12X16	SCREW CHC M12X16	TORNILLO CHC M12X16
29	H104	VIS BHC M8X20	SCREW BHC M8X20	TORNILLO BHC M8X20

Amortisseur - Bras oscillant / Rear Shock - Swingarm / Amortiguador - Basculante

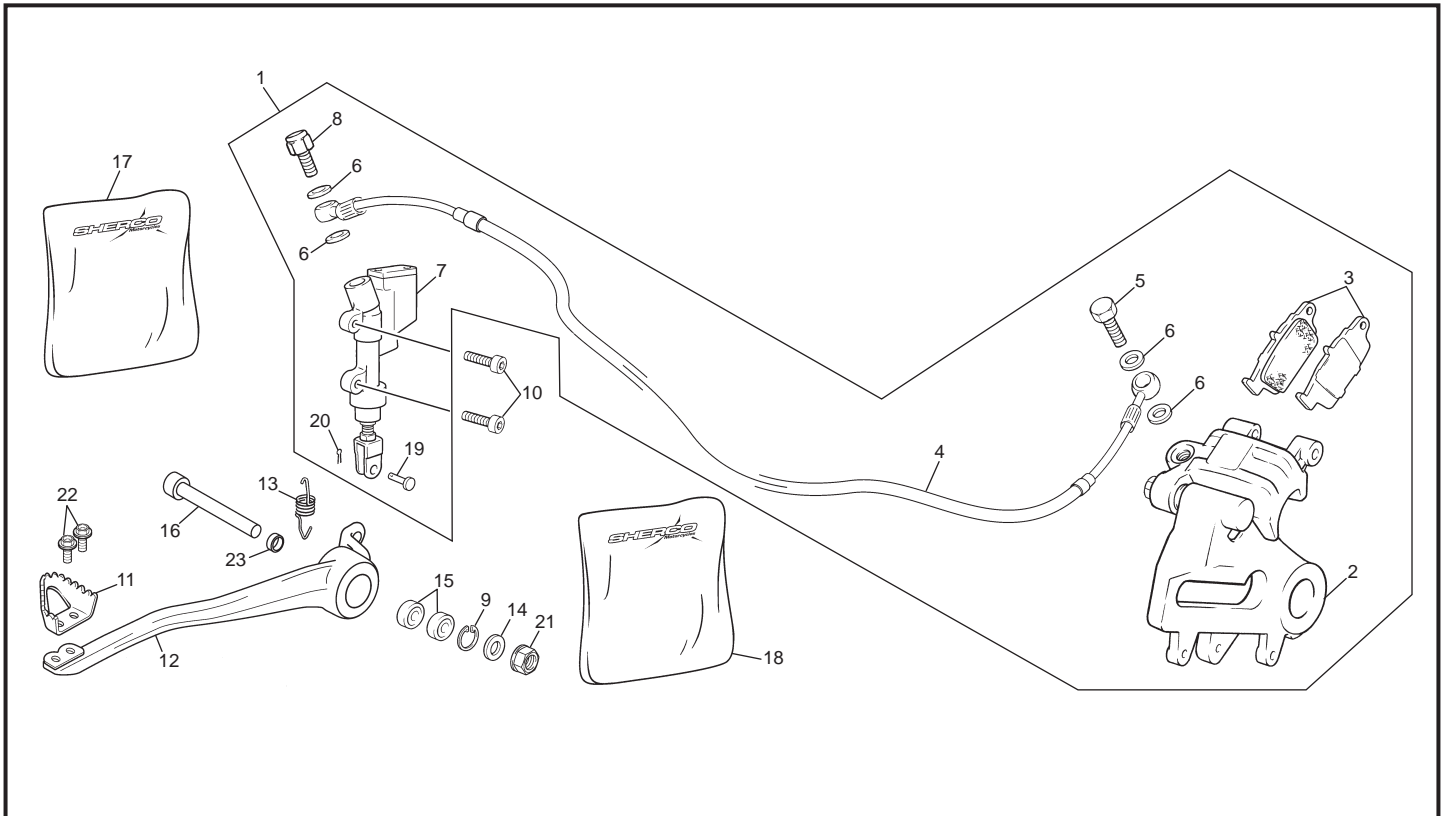


POS.	SE 2.5 / 3.0i F/R	FRANÇAIS	ENGLISH	ESPAÑOL
1	3324	AMORTISSEUR SACHS	REARSHOCK SACHS	AMORTIGUADOR SACHS
2	0432	BIELLETTE H	LOWER LINK	BIELETA H
3	0433	BIELLETTE DELTA	DELTA LINK	TRAPECIO
4	1108	ENTRETOISE BIELLETTE H12X18X78.5	H LINK SPACER 12X18X78.5	CASQUILLO BIELETA 12X18X78.5
5	0435	ENTRETOISE BIELLETTE DELTA 10X20X22	SPACER 10X20X22	CASQUILLO TRAPECIO 10X20X22
6	0436	AXE BIELLETTE H & GALET	LOWER LINK BOLT	EJE BIELETA H
7	1107	ENTRETOISE BIELLETTE DELTA 12X18X33.5	DELTA LINK SPACER 12X18X33.5	CASQUILLO TRAPECIO SUSP. 12X18X33.5
8	0478	AXE AMORTISSEUR SUP M10X51	UPPER SHOCK BOLT	EJE SUP AMORTIGUADOR M10X 51
9	0438	AXE AMORTISSEUR INF M10X37	LOWER SHOCK BOLT	EJE AMORTIGUADOR INF M10X37
10	1103	BOUCHON BRAS OSCILLANT	COVER SWING ARM AXLE	TAPA FINAL REDONDO GRIS BASCULANTE
11	0437	AXE BIELLETTE DELTA M12X83.5	DELTA LINK BOLT	EJE BIELETA DELTA M12X83.5
12	0578	VIS THEP M8 X 30	SCREW THEP M8 X 30	TORNILLO THEP M8 X 30
13	0444	ECROU NYLSTOP EPAULE M12	NUT NYLSTOP M12	TUERCA AUTOBLOC. CON VALONA M12
14	0577	ROULEMENT 22 X 8 X 7	BEARING 22 X 8 X 7	RODAMIENTO 22X8X7
15	0556	DOUILLE GALET CHAINE	SPACER CHAIN WEEL	CASQUILLO RODILLO CADENA
16	0231	GALET DE CHAINE	ROLLER CHAIN GUIDE	RODILLO CADENA
17	0442	DOUILLE AIGUILLE JOINTIVE HN 1816	NEEDLE BEARING HN 1816	CASQUILLO AGUJAS HN 1816
18	0441	JOINT A LEVRES 22X28X4	OIL SEAL 22X28X4	RETÉN 22X28X4
19	0398	RONDILLE CALAGE 22 X 35 X 0.8	WASHER 22 X 35 X 0.8	ARANDELA 22 X 35 X 0.8
20	0294	JOINT A LEVRES 26X20X24	OIL SEAL 26X20X24	RETÉN 26X20X24
21	0443	DOUILLE AIGUILLE JOINTIVE HN2012	NEEDLE BEARING HN 2012	CASQUILLO AGUJAS HN 2012
22	2343	ECROU SPECIAL	SPECIAL NUT	TUERCA ESPECIAL
23	0290	DOUILLES AIGUILLES HK 2216	NEEDLE BEARING HK 2216	CASQUILLO AGUJAS HK 2216
24	0291	ENTRETOISE INTERNE 17X22X38	SPACER 17X22X38	CASQUILLO INTERNE 17X22X38
25	0549	VIS THEP M6X45	SCREW THEP M6X45	TORNILLO THEP M6X45
26	0297	PATÍN DE CHAINE	SWING ARM PROTECTOR	PATÍN CADENA
27	0298	CARTER DE CHAINE	CHAIN GUARD	PROTECTOR CADENA
28	0307	GUIDE DURITE FREIN AR	BRAKE HOSE CLIP	SOPORTE TUBO FRENO
29	0440	ENTRETOISE ETANCHEITE BRAS 22X28X5	SPACER 22X28X5	CASQUILLO BASCULANTE 22X28X5
30	C417	ECROU NYLSTOP M16X150	NUT NYLSTOP M16X150	TUERCA NYLSTOP M16X150
31	0451	AXE BRAS END 450	SWINGARM BOLT	EJE BASCULANTE
32	0457	TOLE PROTECTION BRAS	SWINGARM INSERT	CHAPA PROTECCIÓN BASCULANTE
33	0462	VIS TENDEUR DE CHAINE	CHAIN TENSIONOR SCREW	TORNILLO TENSOR CADENA
34	C432	VIS FH M6X16	SCREW FHC M6X16	TORNILLO FHC M6X16

Amortisseur - Bras oscillant / Rear Shock - Swingarm / Amortiguador - Basculante

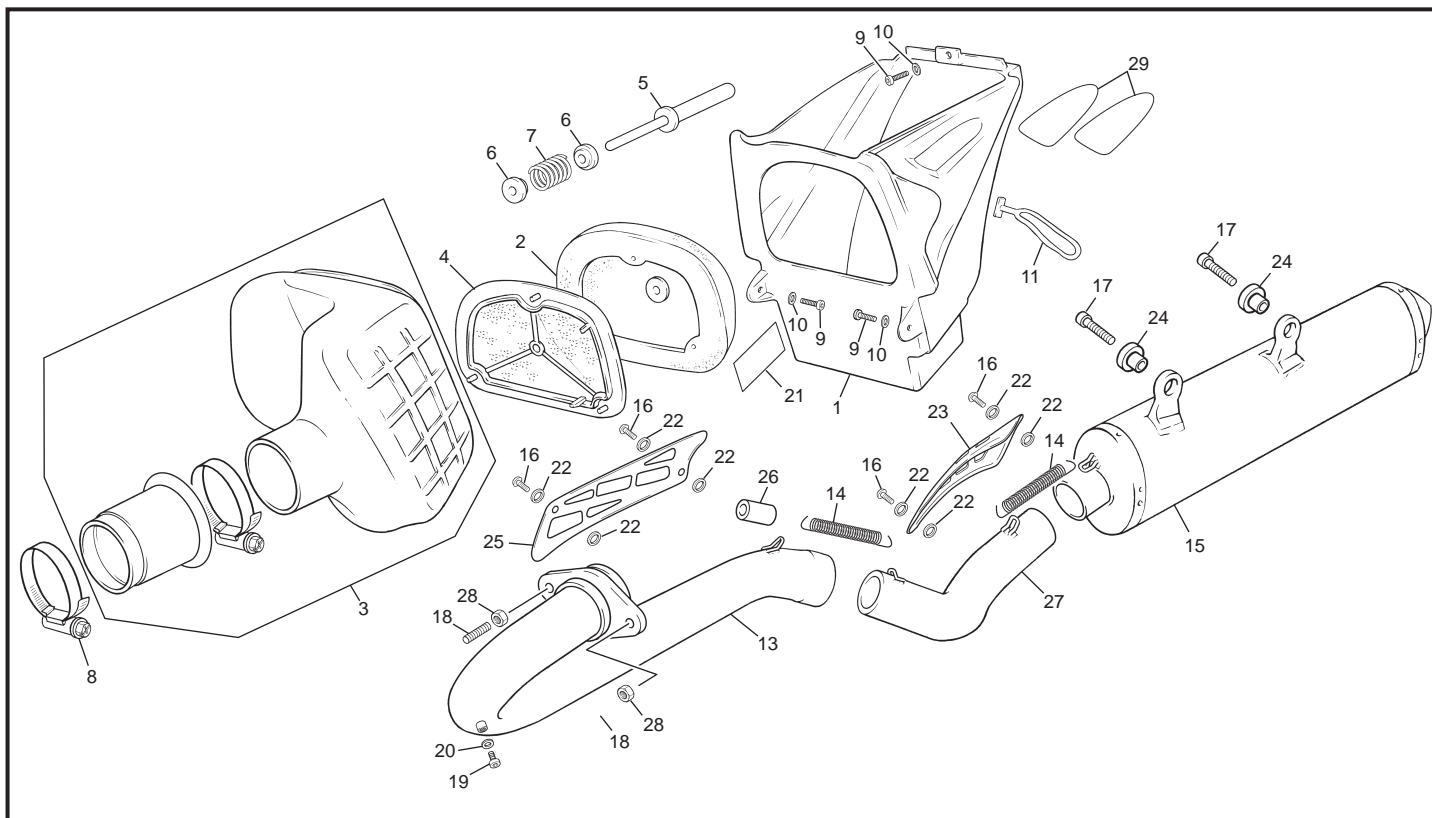


POS.	SE 2.5 / 3,0i F/R	FRANÇAIS	ENGLISH	ESPAÑOL
35	M278	VIS BHC 6X20	SCREW BHC 6X20	TORNILLO 6X20 ULS
36	0651	VIS FHC M4X10	SCREW FHC M4X10	TORNILLO AVELL M4 X 10 DIN 7991
37	M272	ECROU EMBASE X8	HEX NUT	TUERCA CON VALONA M8
38	0546	VIS THEP M6X20	SCREW THEP M6X20	TORNILLO THEP M6X20
39	M283	VIS BHC 6X16 1093	SCREW BHC 6X16	TORNILLO 6X16 ULS
40	0292	JOINTS A LEVRES 28X35X4	OIL SEAL 28X35X4	RETÉN 28X35X4
42	1955	KIT RÉPARATION AMORTISSEUR SACHS	SACHS REAR SHOCK ABSOR. REPAIR KIT	KIT REPARACIÓN AMORTIGUA. SACHS
43	2246	BRAS OSCILLANT RACING	SWINGARM RACING	BASCULANTE RACING
44	2342	GUIDE CHAÎNE RACING	CHAIN GUARD RACING	PATÍN CADENA RACING
45	2944	ROTULE AMORTISSEUR END SACHS	KNEECAP SHOCK ABSORBER END SACHS	RÓTULA AMORTIGUADOR ENS SACH
45	2932	ROTULE AMORTISSEUR END ÖHLINS	KNEECAP SHOCK ABSORBER END ÖHLINS	RÓTULA AMORTIGUADOR ENS ÖHLINS

Frein arrière / Rear brake / Freno trasero


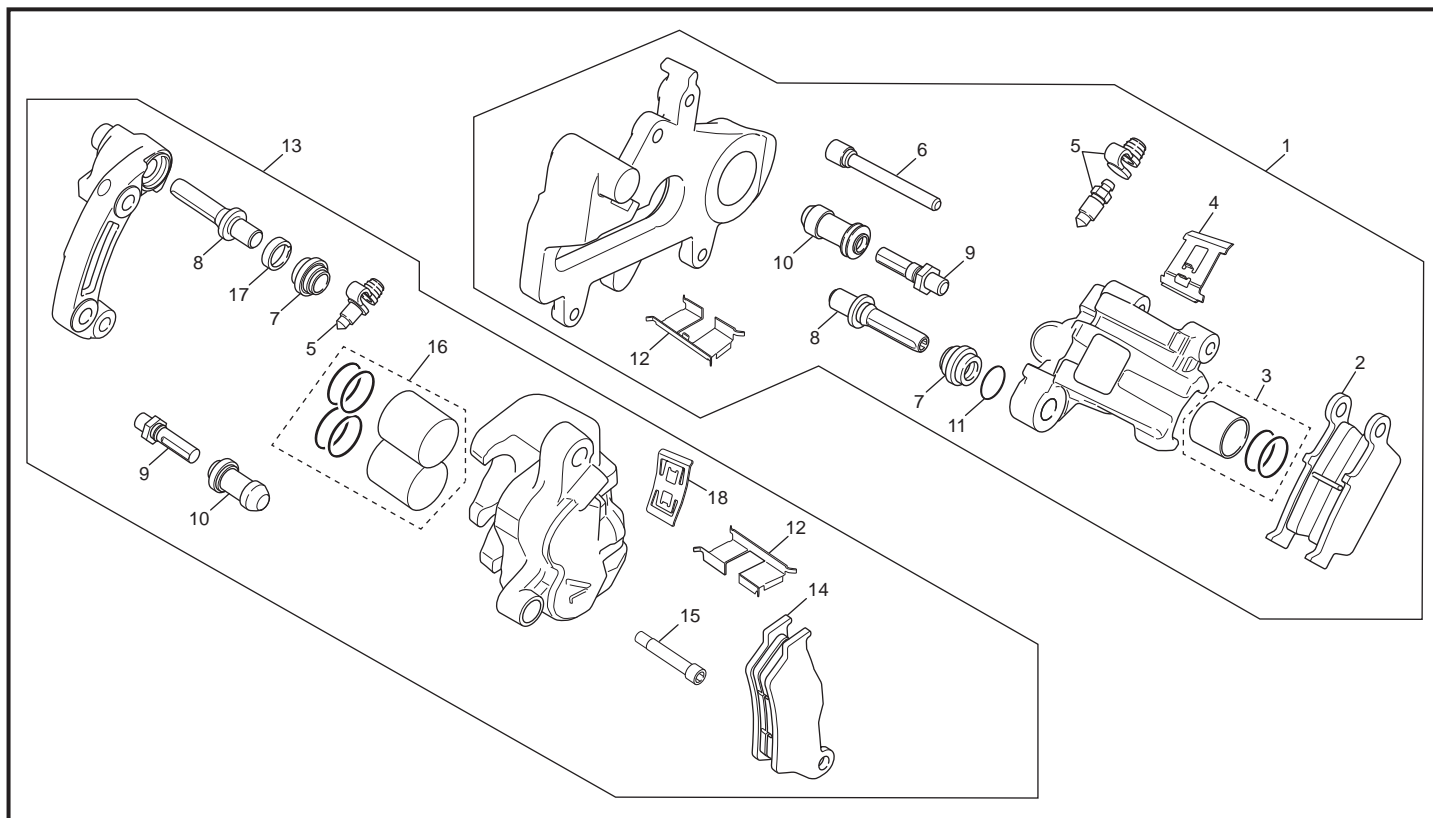
POS.	SE 2.5 / 3,0i F/R	FRANÇAIS	ENGLISH	ESPAÑOL
1	1287	GROUPE FREIN AR. CPL	REAR BRAKE SYSTEM ASSY	CTO. FRENO TRASERO
2	0627	ETRIER FREIN AR	REAR CALIPER	PINZA FRENO TRASERA
3	0631	PLAQUETTES FREIN ARRIERE PAIRE	REAR BRAKE PADS (PAIR)	JUEGO PASTILLAS TRASERO
4	1278	DURITE FREIN AR	REAR BRAKE HOSE	LATIGUILLO FRENO TRASERO
5	R059	VIS RACCORD M10X21	SCREW M10X21	TORNILLO RACORD M10X21
6	R074	RONDELLE BANJO	ALUMINIUM SEAL	ARANDELA BANJO
7	1277	POMPE FREIN AR	REAR MASTER CYLINDER	BOMBA FRENO TRASERO
8	2151	VIS RACCORD M10X18	SCREW M10X18	TORNILLO M10X18
9	0579	CIRCLIP 22X1	CIRCLIP 22X1	CIRCLIP 22X1
10	0546	VIS THEP 6X20	SCREW THEP 6X20	TORNILLO THEP M6X20
11	2372	EMBOUT PÉDALE FREIN	POINT BREAK PEDAL	PUNTERA PEDAL FRENO
12	2325	PÉDALE DE FREIN AR CPL	REAR BRAKE PEDAL	PALANCA FRENO TRASERO
13	0336	RESSORT PÉDALE FREIN	REAR BRAKE LEVER SPRING	MUELLE PALANCA FRENO
14	C430	RONDELLE M8	WASHER M8	ARANDELA M8
15	0577	ROULEMENT BILLE 608.2RS	BREARING 608.2RS	RODAMIENTO 608.2RS
16	2121	VIS CHC M8X55 10.9	SCREW CHC M8X55 10.9	TORNILLO CHC M8X55 10.9
17	1320	KIT REP POMPE FREIN	KIT REPAIR REAR MASTER CYLINDER	KIT REP BOMBA TRAS
18	0630	KIT REPARATION ETRIER	KIT REPAIR CALIPER	KIT REPARACIÓN PINZA TRASERA
19	1295	AXE CHAPE PEDALE DE FREIN	AXEL READ BREAK ROD	AXE HORQUILLA PEDAL
20	1294	GOUPILLE CHAPE DE FREIN	PIN READ BREAK	GOUPILLE FRENO TRASERO
21	M305	ECROU M8 NYLSTOP	HEX NUT M8 NYLSTOP	TUERCA M8 NYLSTOP
22	0655	VIS CHC M5X10	SCREW CHC M5X10	TORNILLO CHC M5X10
23	2216	ENTRETOISE PEDALE FREIN	SPACER BRAKE PEDAL	CASQUILLO PALANCA FRENO

Boîte filtre - échappement / Air filter box - exhaust system / Caja filtro - escape

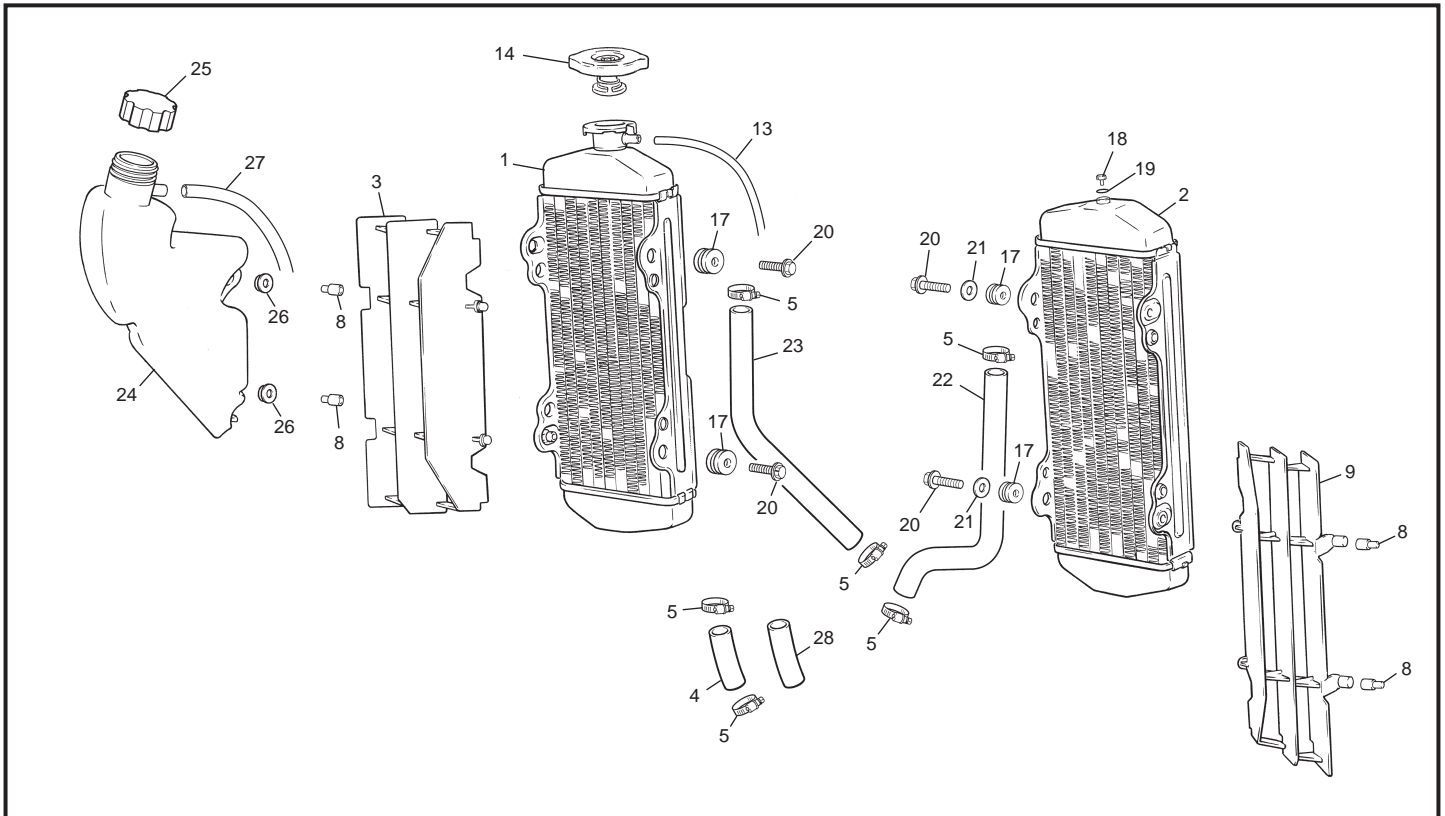


POS.	SE 2.5 / 3.0i F/R	FRANÇAIS	ENGLISH	ESPAÑOL
1	0283	BOITIER FILTRE AIR	AIR BOX	CAJA FILTRO
2	2028	MOUSSE FILTRE	FILTER ELEMENT	ESPUMA FILTRO
3	1965	MANCHON COMPLET	INTAKE HOSE ASSY	CONJUNTO TUBERA ADMISIÓN
4	2029	SUPPORT MOUSSE DE FILTRE	AIR FILTER RETAINER	SOPORTE ESPUMA FILTRO
5	0515	AXE FIXATION MOUSSE FILTRE	AIR FILTER MOUNTING BOLT	EJE EMPUJADOR ESPUMA FILTRO
6	0609	BUTEE RESSORT MOUSSE DE FILTRE	SPRING RETAINER	TOPE MUELLE EMPUJADOR
7	0514	RESSORT MOUSSE FILTRE	SPRING	MUELLE EMPUJADOR
8	0595	COLLIER KC060 MANCHON CORP INJ.	HOSE CLAMP	BRIDA TOBERA KC060 CUERPO INYEC.
9	0546	VIS THEP 6X20	SREW THEP 6X20	TORNILLO THEP 6X20
10	M317	RONDELLE 6X12 04076	WASHER 6X12	ARANDELA 6 DIN 125 A
11	0306	CAOUTCHOUC DE MAINT. DE BEQUILLE	SIDE STAND RUBBER	GOMA CABALLETE
13	1652	TUBE ÉCHAPPEMENT	EXHAUST PIPE	TUBO ESCAPE
14	0271	RESSORT POT	EXHAUST SPRING	MUELLE ESCAPE
15	1491	SILENCIEUX CATALYSÉ	CATALYSED SILENCER	SILENCIOSO CATALISADO
16	1366	VIS BHC 6X8	SCREW BHC 6X8	TORNILLO BHC 6X8
17	0547	VIS THEP 6 X 30	SCREW THEP 6X30	TORNILLO THEP 6X30
18	2065	GOIJON M6X30	STUD M6X30	ESPÁRRAGO M6X30
19	0557	BOUCHON PRISE C02	COVER CO2 PORT	TAPÓN C02
20	0733	RONDELLE AET 10	WASHER AET 10	ARANDELA AET 10
21	0700	ADH. TERMIQUE BOITE FILTRE	FILTER BOX STICKER	PROTECTOR TÉRMICO CAJA FILTRO
22	0746	RONDELLE AET 6	WASHER AET 6	ARANDELA AET 6
23	1285	TOLE PROTECTION THERMIQUE	STEEL PROTECTION THERMIC	CHAPA PROTECCIÓN CALORICA
24	0274	SILENBLOCK SILENCIEUX	RUBBER SILENCER	GOMA SILENCIOSO
25	1375	TOLE PROTECTION THERMIQUE	STEEL PROTECTION THERMIC	CHAPA PROTECCIÓN CALORICA
26	1378	CAOUTCHOUC RESSORT POT	RUBBER SPRING EXHAUST	GOMA MUELLE ESCAPE
27	2344	TUBE INTERMÉDIAIRE CATALYSÉ	INTERMED. EXHAUST PIPE WITH CATALYSED	TUBO ESCAPE INTER. CON CATALIZADOR
27	2346	TUBE INTERMÉDIAIRE	INTERMED. EXHAUST PIPE	TUBO ESCAPE INTERMEDIO
28	2198	ECROU M6	NUT M6	TUERCA M6
29	3401	SKIN JEU PROTECTION BOITE FILTRE	SKIN KIT PROTECTION AIRBOX END	SKIN JUEGO PROTECCION CAJA FILTRO

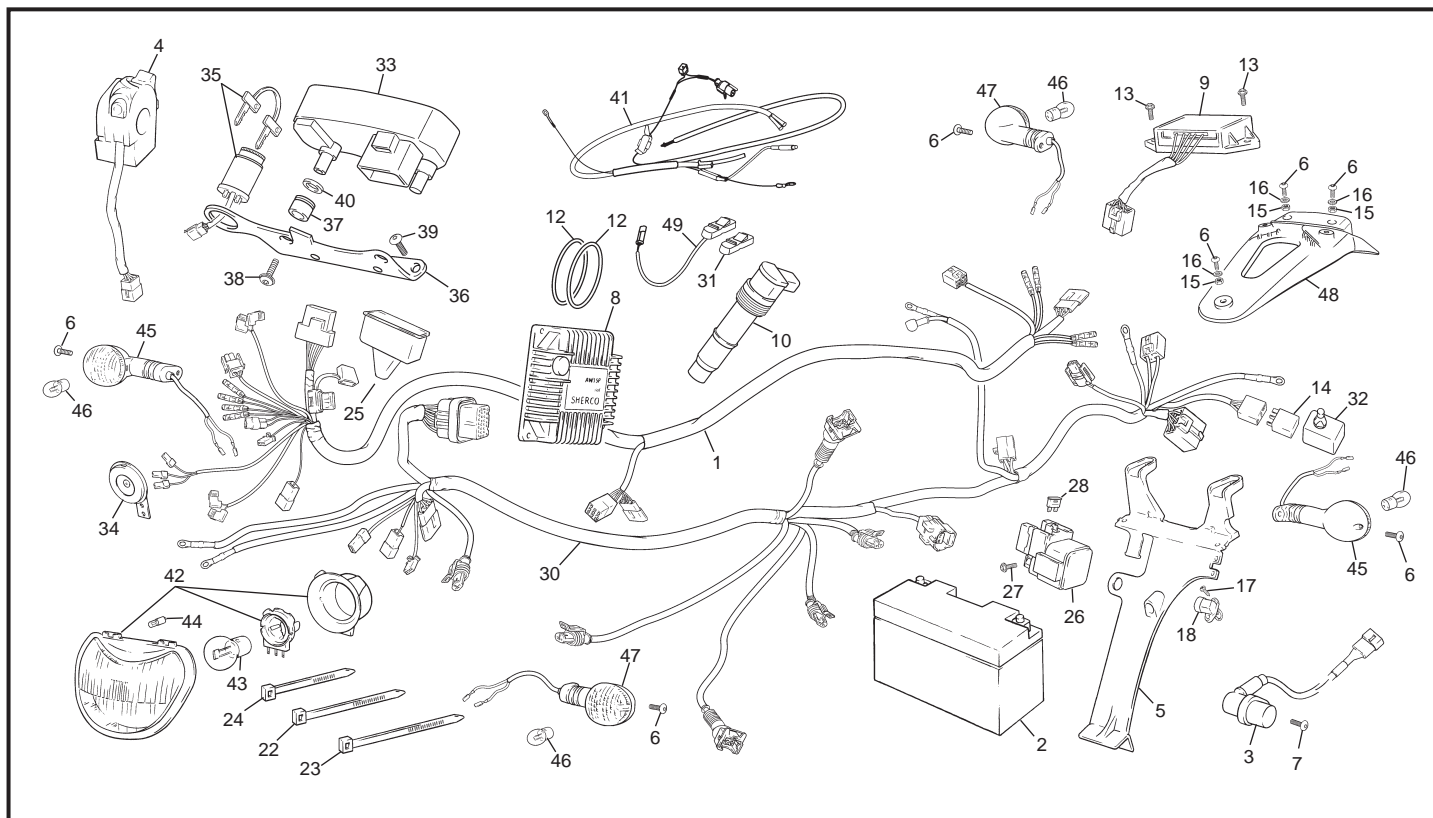
Etrier frein arrière-avant / Front-rear caliper / Pinzas freno trasero-delantero



POS.	SE 2.5 / 3.0i F/R	FRANÇAIS	ENGLISH	ESPAÑOL
1	0627	ETRIER FREIN AR	REAR CALIPER	PINZA FRENO TRASERA
2	0631	PLAQUETTES FREIN AR PAIRE	REAR BRAKE PADS (SET)	JUEGO PASTILLAS FRENO
3	0630	KIT REPARATION PISTON	PISTON SET	KIT REPARACION PISTON
4	3301	RESSORT ANTI VIBRATION PLAQUETTE	PADS SPRING	FLEJE TENSION PASTILLA
5	2283	KIT REPARATION PURGEUR	SPARE BLEEDER KIT	KIT REPARACION SANGRADOR
6	3302	AXE PLAQUETTES	PADS SHAFT	EJE PASTILLAS
7	3303	CACHE POUSSIERE AXE GUIDE	GUIDE SHAFT DUST SEAL	GUARDAPOLVO EJE GUIA
8	3304	AXE GUIDE	GUIDE SHAFT	EJE GUIA
9	3305	AXE SUPPORT ETRIER	CALIPER SHAFT	EJE APOYO PINZA
10	3306	CACHE POUSSIERE AXE SUPPORT ETRIER	DUST SEAL CALIPER SHAFT	GUARDAPOLVO EJE APOYO PINZA
11	3307	ENTRET. CACHE POUSSIERE AXE GUIDE	SPACER GUIDE SHAFT DUST SEAL	CASQUILLO GUARDAPOLVO EJE GUIA
12	3308	RESSORT ETRIER	CALIPER SPRING	FLEJE SOPORTE PINZA
13	2352	ETRIER FREIN AVANT	FRONT CALIPER	PINZA FRENO DELANTERA
14	1679	PLAQUETTES FREIN AVT PAIRE	FRONT BRAKE PADS (SET)	JUEGO PASTILLAS FRENO
15	3294	AXE PLAQUETTES	PADS SHAFT	EJE PASTILLAS
16	0623	KIT RÉPARATION PISTON	PISTON SET	KIT REPARACIÓN PISTÓN
17	3307	ENTRET. CACHE POUSSIÈRE AXE GUIDE	SPACER GUIDE SHAFT DUST SEAL	CASQUILLO GUARDAPOLVO EJE GUÍA
18	3300	RESSORT ANTI VIBRATION PLAQUETTE	PADS SPRING	FLEJE TENSIÓN PASTILLA

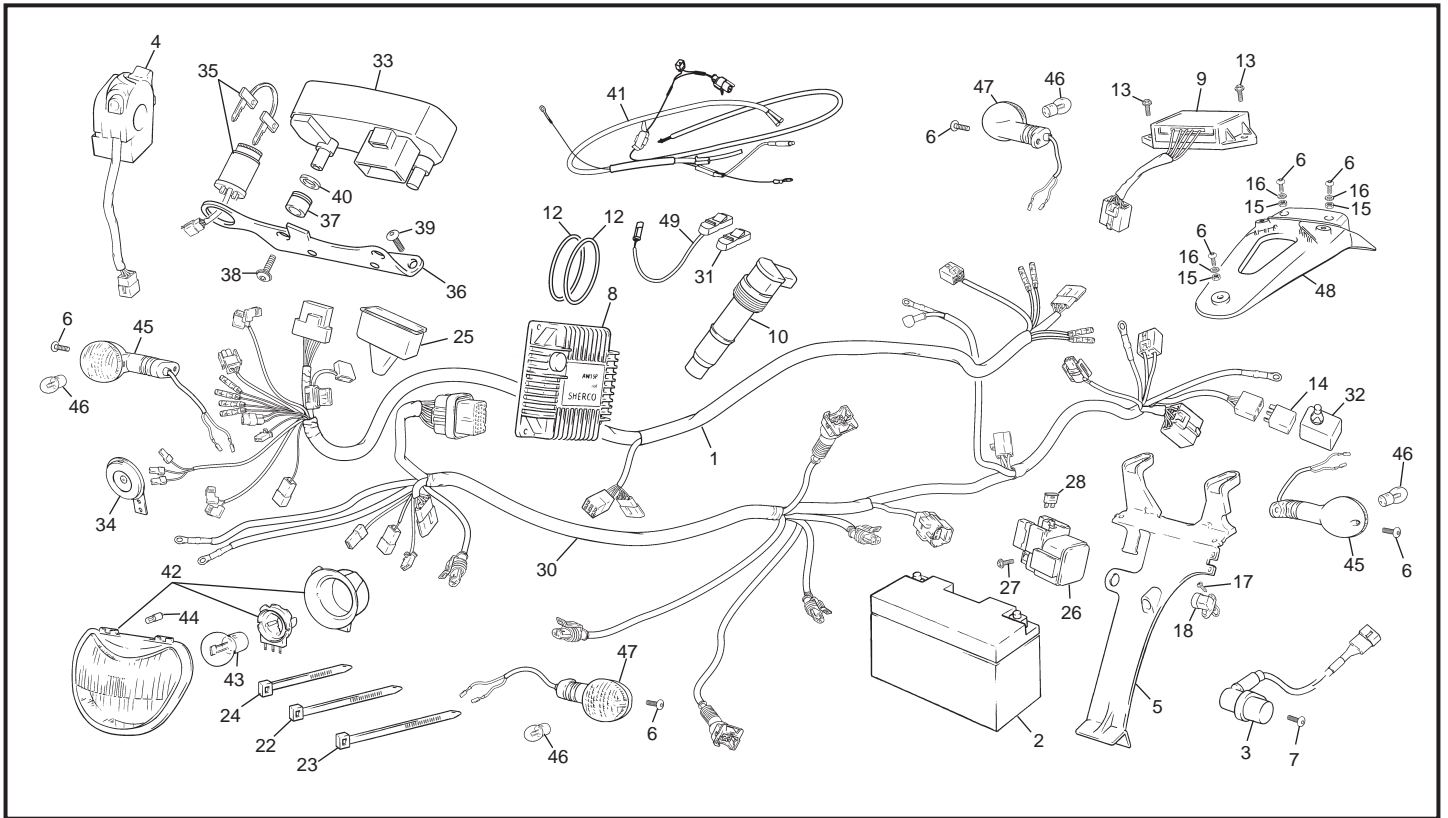
Radiateur / Radiator / Radiador


POS.	SE 2.5 / 3.0i F/R	FRANÇAIS	ENGLISH	ESPAÑOL
1	1653	RADIATEUR DROIT	RIGHT RADIATOR	RADIADOR DERECHO
2	1654	RADIATEUR GAUCHE	LEFT RADIATOR	RADIADOR IZQUIERDO
3	0277	GRILLE RADIATEUR D	RH RADIATOR GUARD	REJILLA RADIADOR DERECHO
4	1691	DURITE RADIATEUR 90	HOSE RADIATOR 90	TUBO RADIADOR 90
5	0281	COLLIER FIXATION DURITE	HOSE CLAMP	BRIDA TUBO RADIADOR
6	0282	DURITE POMPE A EAU	WATER PUMP HOSE	TUBO BOMBA AGUA
7	0605	COLLIER 26 CLIP CORPS THERMOSTAT	HOSE CLAMP	BRIDA 25 CLIP CUERPO TERMOSTATO
8	0498	EMBOUT GRILLE RADIATEUR	RADIATOR GUARD SPACER	CASQUILLO REJILLA RADIADOR
9	0273	GRILLE RADIATEUR G	LH RADIATOR GUARD	REJILLA RADIADOR IZQUIERDO
10	0406	VIS CORPS THERMOSTAT	SCREW 3.5X19 DIN 7981	TORNILLO 3.5X19 DIN 7981 C CRUZ
11	0404	THERMOSTAT	THERMOSTAT	TERMOSTATO
12	0403	CORPS THERMOSTAT	THERMOSTAT HOUSING	CUERPO TERMOSTATO
13	2144	DURITE ESSENCE/RADIATEUR 5X10X515	OVERFLOW HOSE 5X10X515	TUBO GASOLINA/RADIADOR 5X10X515
14	3265	BOUCHON RADIATEUR 1,8 BAR	RADIATOR CAP 1,8 BAR	TAPÓN RADIADOR
15	0604	COLLIER 25 CLIP CORPS THERMOSTAT	HOSE CLAMP	BRIDA 24.5 CLIP CUERPO TERMOSTATO
16	0405	JOINT TORIQUE 31.6X2.4 THERMOSTAT	O RING 31.6X2.4	TÓRICA 31.6X2.4 CORP TERMOSTATO
17	H059	SILENTBLOCK RADIATEUR	RADIATOR INSULATOR	SILENBLOCK RADIADOR
18	0592	VIS THEP 6 X 8	SCREW THEP 6 X 8	TORNILLO THEP 6X8
19	0601	RONDELLE ALU 6.5 X 11 X 1	WASHER ALU 6.5 X 11 X 1	ARANDELA ALU 6.5 X 11 X 1
20	0656	VIS THEP 6X16	SREW TH EP6X16	TORNILLO THEP 6X16
21	M321	RONDELLE 6 X18	WASHER 6X18	ARANDELA 6X18 DIN 9021
22	1690	DURITE RADIATEUR 256	RUBBER HOSE RADIATOR 256	TUBO RADIADOR 256
23	1689	DURITE RADIATEUR 305	RUBBER HOSE RADIATOR 305	TUBO RADIADOR 305
24	1940	VASE EXPANSION 450 EVO	SPACER EXPANSION TANK 450 EVO	VASO EXPANSIÓN 450 EVO
25	0748	BOUCHON VASE EXPANSION	EXPANSION CAP	TAPÓN VASO EXPANSIÓN
26	0565	ENTRETOISE CARROSSERIE	EXPANSION TANK STOPPER	CASQUILLO CARROCIERÍA
27	1918	DURITE RADIATEUR	RUBBER HOSE RADIATOR	TUBO RADIADOR
28	2095	PROTECTEUR DURITE END 250	TUBE PROTECTOR END 250	TUBE PROTECTOR END 250

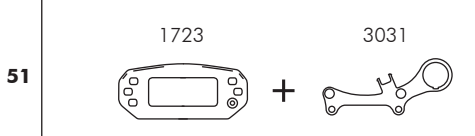
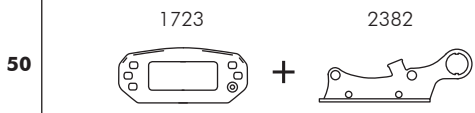
Faisceau electrique / Electrical system / Instalación eléctrica


POS.	SE 2,5i F/R	SE 3,0i F/R	FRANÇAIS	ENGLISH	ESPAÑOL
1	1754	1754	FAISCEAU ELECT. GENER. ANTERIEUR EVO	FRONT HARNESS ASSEMBLY EVO	INSTALACIÓN ELÉCTRICA ANT. EVO
2	1446	1446	BATTERIE 12V7AMP	BATTERY 12V7AMP	BATERÍA 12V7AMP
3	0372	0372	CAPTEUR TOURS COMPTEUR KM.	SPEEDONETER SENSOR	SENSOR VELOCIDAD
4	0413	0413	COMMODO GAUCHE	LH SWITCH ASSEMBLY	CONMUTADOR ELÉCTRICO
5	0375	0375	CALE BATERIE SUPPORT COMP ELEC	BATTERY MOUNTING BRACKET	SOPORTE BATERÍA
6	M283	M283	VIS BHC 6X16	SCREW BHC 6X16	TORNILLO BHC 6X16
7	0656	0656	VIS THEP 6X16	SCREW THEP 6X16	TORNILLO THEP 6X16
8	1953	2334	BOITIER ELECTRONIQUE	ELECTRONIC BOX	CENTRALITA ELECTRÓNICA
9	0368	0368	REGULATEUR	REGULATOR	REGULADOR
10	0967	0967	BOBINE CRAYON	COIL ASSY IGNITION	CTO. PIPA BUJÍA
12	1702	1702	FIXATION ECU	RUBBER ECU	GOMA ECU
13	0546	0546	VIS THEP 6X20	SREW THEP 6X20	TORNILLO THEP 6X20
14	0749	0749	RELE SIEMENS A402	RELE SIEMENS A402	RELÉ SIEMENS A402
15	M317	M317	RONDELLE 6X12	WASHER 6X12	ARANDELA 6X12
16	M306	M306	ECROU NYLSTOP M6	NUT NYLSTOP M6	TUERCA NYLSTOP M6
17	0406	0406	VIS CORPS THERMOSTAT	SCREW 3.5X19 DIN 7981	TORNILLO 3.5 X 19 DIN 7981 C CRUZ
18	0399	0399	CAPTEUR AIR	AIR SENSOR	SENSOR AIRE
19	0650	0650	VIS CHC M3 X 25	SCREWCHC M3X25	TORNILLO M3 X 25 DIN 912
20	0653	0653	ECROU M3 NYLSTOP	NUT NYLSTOP M3	TUERCA M3 DIN 985
21	0648	0648	RONDELLE 3	WASHER 3	ARANDELA 3 DIN 125
22	M330	M330	COLLIER RISLAN 178X4.8	ZIP TIE 178X4.8	ABRAZADERA 178X4.8
23	C441	C441	COLLIER RYSLAN 208X4.8	ZIP TIE 280X4.8	ABRAZADERA 280X4.8
24	M331	M331	COLLIER RISLAN 100X2.5	ZIP TIE 100X2.5	ABRAZADERA 100X2.5
25	0671	0671	CAUTCHOUC FAISCEAU	RUBBER BOOT	CAPUCHÓN INSTALACIÓN ELÉCTRICA
26	0367	0367	RELAIS DEMARREUR	STARTER RELAY	RELÉ DEMARRER
27	0592	0592	VIS THEP 6 X 8	SCREW THEP 6 X 8	TORNILLO THEP 6X8
28	0661	0661	FUSIBLE 30 A LITLIFUSE	FUSE 30A	FUSIBLE 30 A LITLIFUSE
29	0657	0657	VIS M4 X 45 CRUCIFORME	SCREW M4 X 45	TORNILLO M4 X 45 CRUCIFO. DIN 7881
30	2147	2147	FAISCEAU ELECTR. INJECT. EVO	ELECTRIC SYSTEM INJECTION EVO	INSTAL. ELÉCTRICA INYECCIÓN EVO
31	1533	1533	INTERRUPTEUR MOTEUR ON/OFF	SWITCH ENGINE ON/OFF	INTERRUPTOR MOTOR ON/OFF
32	1291	1291	SUPPORT RELAIS	HOLDER RELAY	SOPORTE RELÉ
33	1723	1723	COMPTEUR DE VITESSE MLC	SPEEDOMETER MLC	VELOCÍMETRO MLC
34	0447	0447	KLAXON	HORN	CLAXON
35	2313	2313	BLOC CLE DEMARRAGE	IGNITION SWITCH	BLOC LLAVE ARRANQUE

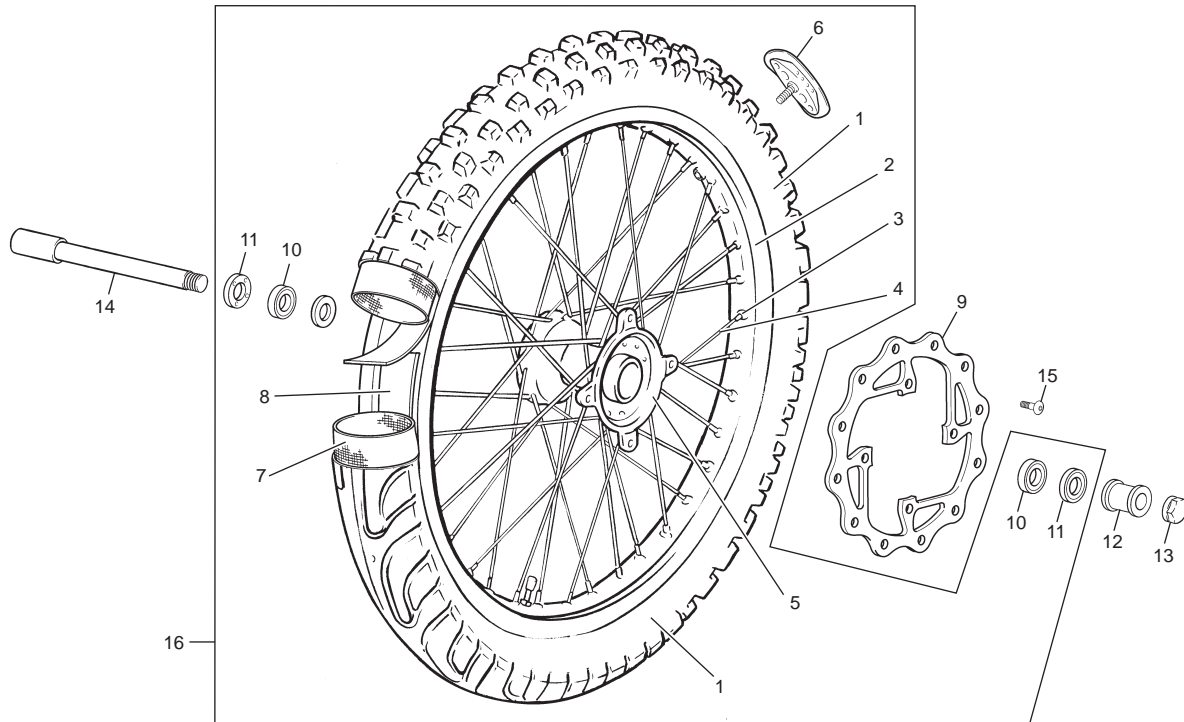
Faisceau électrique / Electrical system / Instalación eléctrica



POS.	SE 2,5i F/R	SE 3,0i F/R	FRANÇAIS	ENGLISH	ESPAÑOL
36	3031	3031	SUPPORT COMPTEUR VITESSE RACING	SPEEDOMETER MOUNT. BRACKET RACING	SOPORTE VELOCÍMETRO RACING
36	2382	2382	SUPPORT COMPTEUR VITESSE MLC	SPEEDOMETER MOUNTING BRACKET MLC	SOPORTE VELOCÍMETRO MLC
37	0582	0582	SILENBLOC COMPTEUR	INSULATOR	SILENBLOC COMPTEUR
38	1274	1274	VIS TÔLE 4,2X16	AUTO THREADING SCREW 4,2X16	TORNILLO RETORNO 4,2X16
39	0656	0656	VIS THEP 6X16	SREWTHEP6X16	TORNILLO THEP 6X16
40	M275	M275	RONDELLE X5 0407 5	WASHER X5	ARANDELA 5 DIN 125 A
41	1408	1408	FAISCEAU LUMIÈRE SIMPLIFIÉ	SIMPLIFIED LIGHT HARNESS	INSTALACIÓN LUZ SIMPLIFICADA
42	0361	0361	OPTIQUE PHARE	HEADLIGHT ASSEMBLY	FARO DELANTERO
43	C403	C403	AMPOULE PHARE HOMOL 35/35W 12V	HEADLIGHT BULB 35/35W 12V	BOMBILLA FARO 35/35 12V
44	0697	0697	AMPOULE VEILLE 4W 12V	RUNNING LIGHT BULB 4W 12V	BOMBILLA POSICIÓN 4W 12V
45	H166	H166	CLIGNOTEUR AVD/ARG	TURN LIGHT/FRONT RIGHT AND REAR LEFT	INTERMITENTES DEL.DER./TRAS. IZQ.
46	C405	C405	AMPOULE CLIGNO 10W 12V	LIGHT BULB 10W 12V	BOMBILLA INTERMITENTES 10W 12V
47	H167	H167	CLIGNOTEUR AVG/ARD	TURN LIGHT/FRONT LEFT AND REAR RIGHT	INTERMITENTES DEL./IZQ./TRAS./DER.
48	1763	1763	FEU AR LED RACING	REAR LIGHT LED RACING	FARO TRASERO RACING
49	1532	1532	INTERRUPTEUR FEUAR ON/OFF	SWITCH REAR LIGHT ON/OFF	INTERRUPTOR FARO ON/OFF

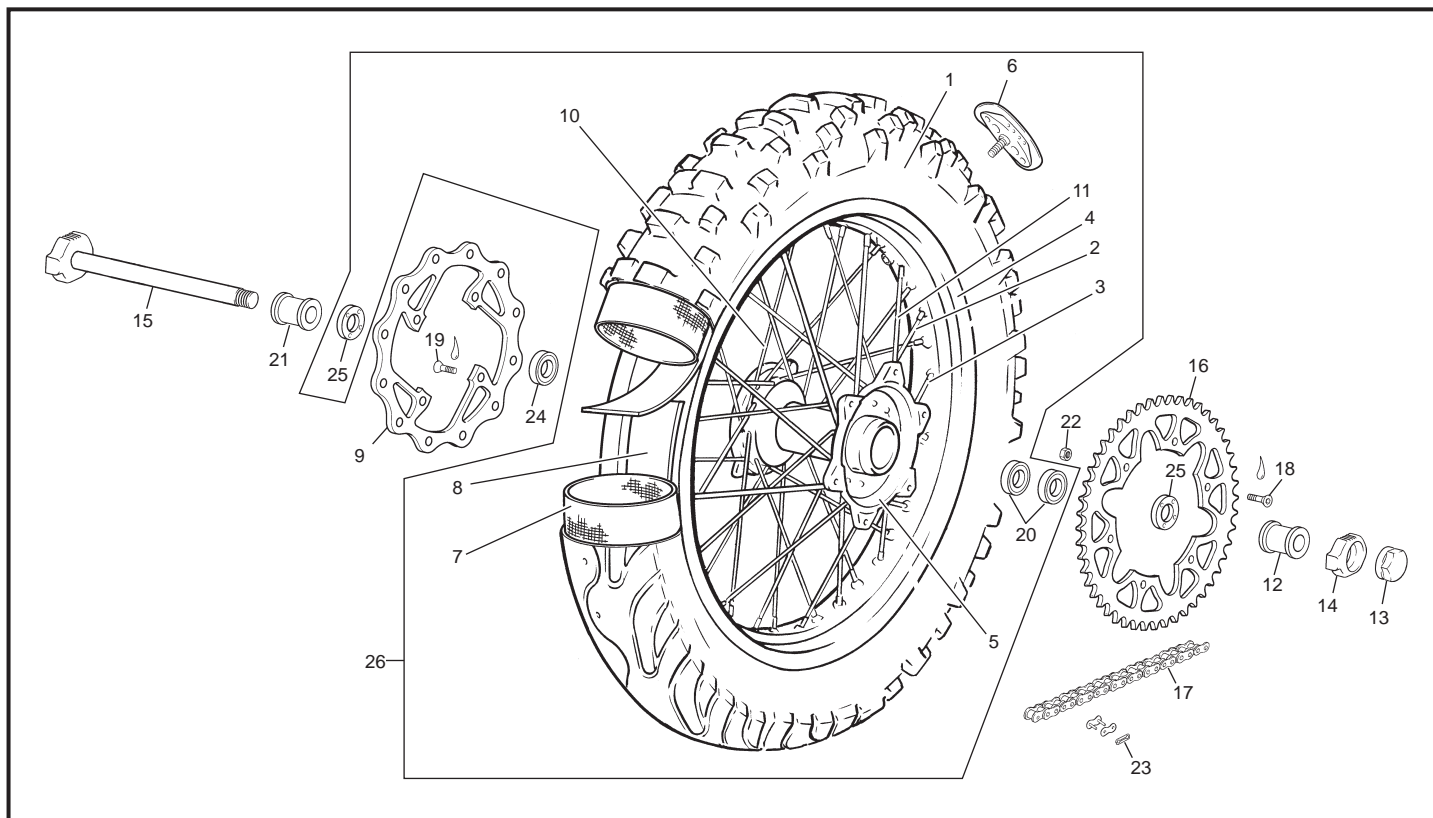


Roue avant / Front wheel / Rueda delantera



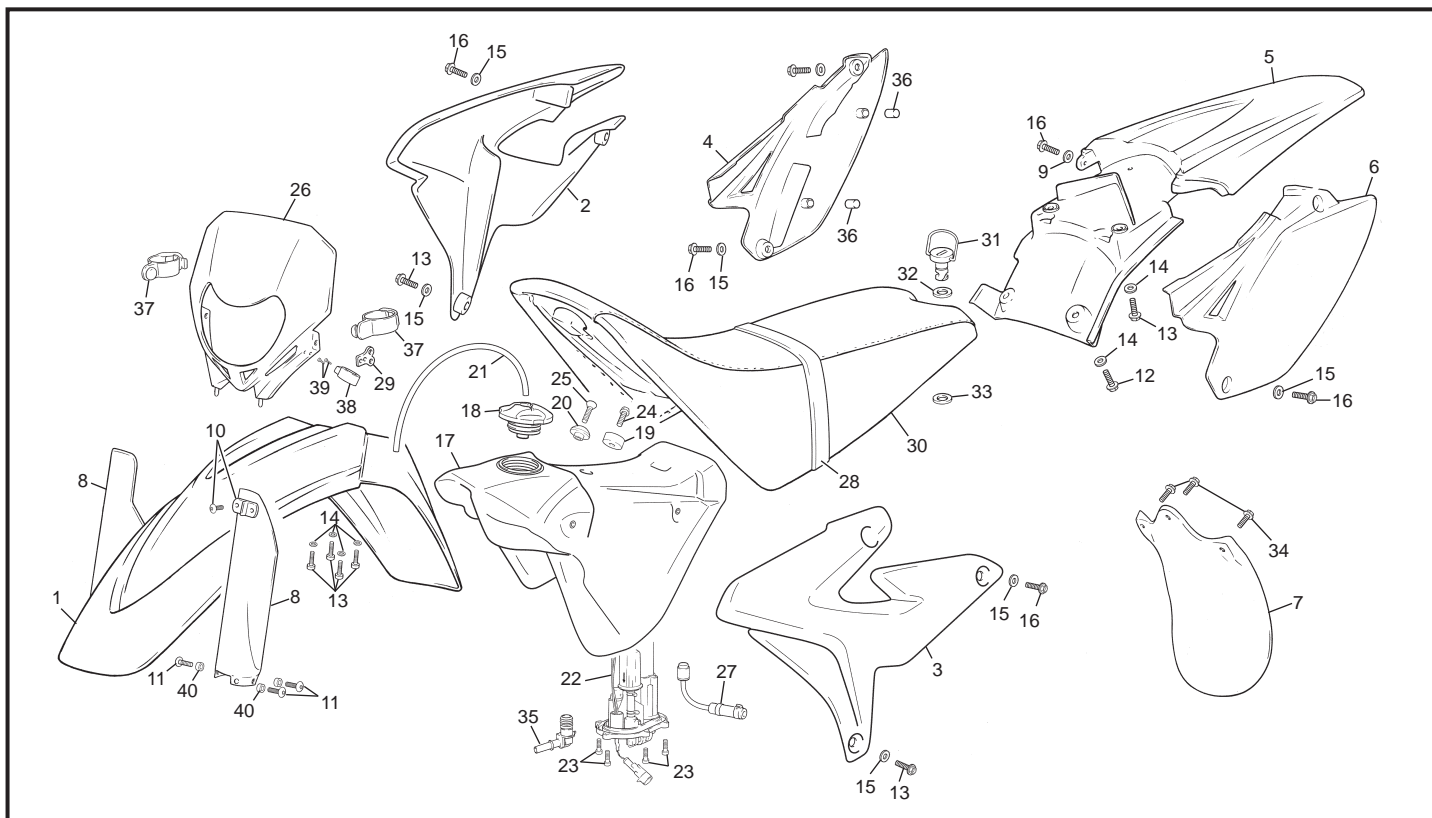
POS.	SE 2,5 / 3,0i F	SE 2,5/3,0i FR	FRANÇAIS	ENGLISH	ESPAÑOL
1	0312	0312	PNEU AVANT 90X90/21	FRONT TIRE 90X90X21	NEUMÁTICO DEL 90X90/21
2	1203	1203	JANTE AV 1,6 X 21 NOIR	FRONT RIM 1,6 X 21 BLACK	LLANTA DEL 1,6 X 21 NEGRO
3	0714	0714	ECROU RAYON 3,5 (36)	SPOKE NIPPLE 3,5 (36)	TUERCA RADIO 3,5 (36)
4	0710	0710	RAYON AVANT 3,5X242 (36)END	SPOKE 3,5X242 (36)	RADIO DELANTERO 3,5X242 (36) END
5	0310	0310	MOYEU COMPLET AV	HUB	BUJE CPL
6	0311	0311	GRIPSTER1.6	RIM LOCK	AGARRACUBERTIAS
7	0313	0313	CHAMBRE A AIR 21	INNER TUBE 21	CAMARA 21
8	0314	0314	FOND JANTE AV 21	RIM BAND 21	FONDO LLANTAS 21
9	1937	1937	DISQUE FREIN AV	FRONT ROTOR	DISCO FRENO DEL
10	R049	R049	ROULEMENT DE MOYEU 6004 2RS	HUB BEARING 6004 2RS	RODAMIENTO BUJE 6004 2RS
11	0706	0706	JOINT A LEVRES 25X42X7	OIL SEAL 25X42X7	RETÉN 25X42X7
12	0318	2192	ENTRETOISE ROUE AVANT	FRONT WHEEL SPACER	CASQUILLO RUEDA DEL.
13	0316	0316	ECROU ROUE AVANT	FRONT AXLE NUT	TUERCA RUEDA DEL.
14	0315	2191	AXE DE ROUE AVANT	FRONT WHEEL AXLE	EJE RUEDA DEL.
15	0452	0452	VIS SPECIALE DISQUE	ROTOR BOLTS	TORNILLO ESPECIAL DISCO FRENO
16	1189	1189	ROUE AVANT SANS DISQUE NOIRE	FRONT WHEEL WITHOUT DISC BLACK	RUEDA DEL. SIN DISCO NEGRA

Roue arrière / Rear wheel / Rueda trasera

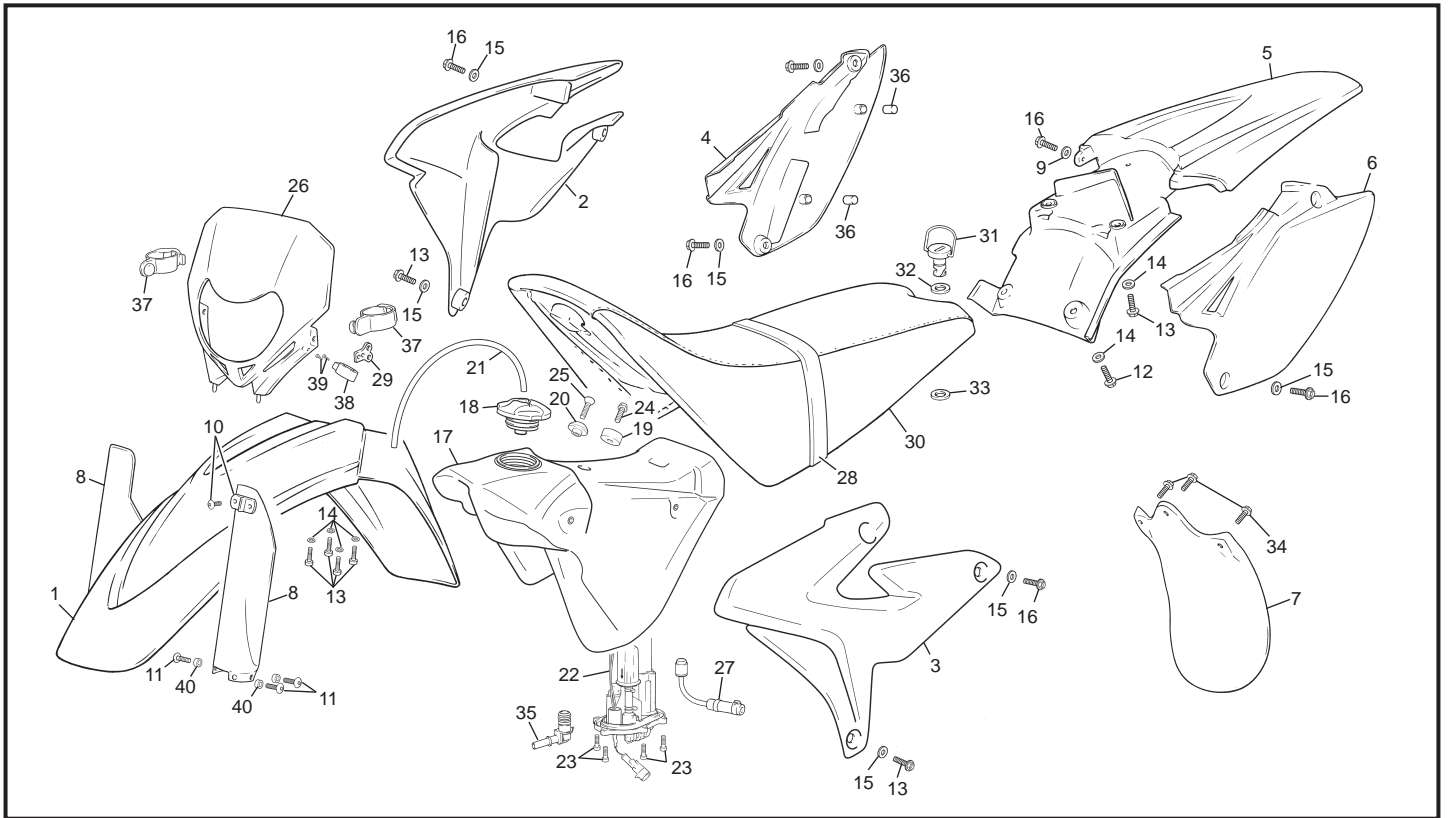


POS.	SE 2.5 / 3,0i F/R	FRANÇAIS	ENGLISH	ESPAÑOL
1	0323	PNEU AR 140X18	REAR TIRE 140X18	NEUMÁTICO TRAS 140X18
2	1204	JANTE AR 2.15X18 NOIRE	REAR RIM 2.15 X 18 BLACK	LLANTA TRAS 2.15 X 18 NEGRA
3	0715	ECROU RAYON 4 (36)	SPOKE NIPPLE 4 (36)	TUERCA RADIO 4 (36)
4	0711	RAYON POST. 4X200 (9) END	SPOKE 4 X 200 (9)	RADIO TRAS 4X200 (9) END
5	0823	MOYEU COMPLET AR	REAR HUB	BUJE TRAS.
6	0322	GRIPSTER 2.15" AR	REAR RIM LOCK	AGARRACUBIERTAS TRAS.
7	0324	CHAMBRE AIR 18"	REAR INNER TUBE 18	CAMARA 18
8	0325	FOND DE JANTE 18"	REAR RIM BAND 18	FONDO LLANTA 18
9	1938	DISQUE FREIN AR	REAR BRAKE ROTOR	DISCO FRENO TRAS.
10	0713	RAYON POST. 4X204 (18)	SPOKE 4X204 (18)	RADIO TRAS. 4X204 (18) END
11	0712	RAYON POST. 4X206 (9) END	SPOKE 4X206 (9)	RADIO TRAS 4X206 (9) END
12	0343	ENTRETOISE ROUE AR GAUCHE	LH REAR WHEEL SPACER	CASQUILLO RUEDA TRAS. IZQ.
13	0329	ECROU ROUE AR	REAR AXLE NUT	TUERCA RUEDA TRAS.
14	0327	TENSEUR CHAÎNE DROIT	RH CHAIN TENSIONER	TENSOR CADENA DER.
15	0326	AXE DE ROUE AR	REAR AXLE	EJE RUEDA TRAS.
16	0331	COURONNE AR 48 D	REAR SPROCKET 48 T	CORONA 48D
16	1966	COURONNE AR 49 D	REAR SPROCKET 49 T	CORONA 49D
16	1967	COURONNE AR 50 D	REAR SPROCKET 50 T	CORONA 50D
17	0333	CHAÎNE 112M	CHAIN 112M	CADENA 112M
18	0454	VIS SPECIALE COURONNE	SPROCKET BOLTS	TORNILLO ESPECIAL CORONA
19	0452	VIS SPECIALE DISQUE	BRAKE ROTOR BOLTS	TORNILLO ESPECIAL DISCO FRENO
20	0716	ROULEMENT 6005 2RS1 25X47X12	BEARING 6005 2RS1 25X47X12	RODAMIENTO 6005 2RS1 25X47X12
21	0344	ENTRETOISE ROUE AR DROITE	RH REAR WHEEL SPACER	CASQUILLO RUEDA TRAS. DER.
22	M305	ECROU NYLSTOP M8 0368.10	NUT NYLSTOP M8	TUERCA NYLSTOP M8
23	R473	ATTACHE RAPIDE	CONNECTING LINK	ENGANCHE
24	0707	ROULEMENT 63005 2RS 25X47X16	BEARING 63005 2RS 25X47X16	RODAMIENTO 63005 2RS 25X47X16
25	0718	JOINT A LÈVRE 32X42X7	OIL SEAL 32X42X7	RETÉN 32X42X7
26	1190	ROUE ARR. SANS DISQUE/COURON. NOIRE	REAR WHEEL WITH. DISK/SPROKET BLACK	RUEDA TRAS. SIN DISCO/CORONA NEG.

Plastiques / Plastics / Plásticos

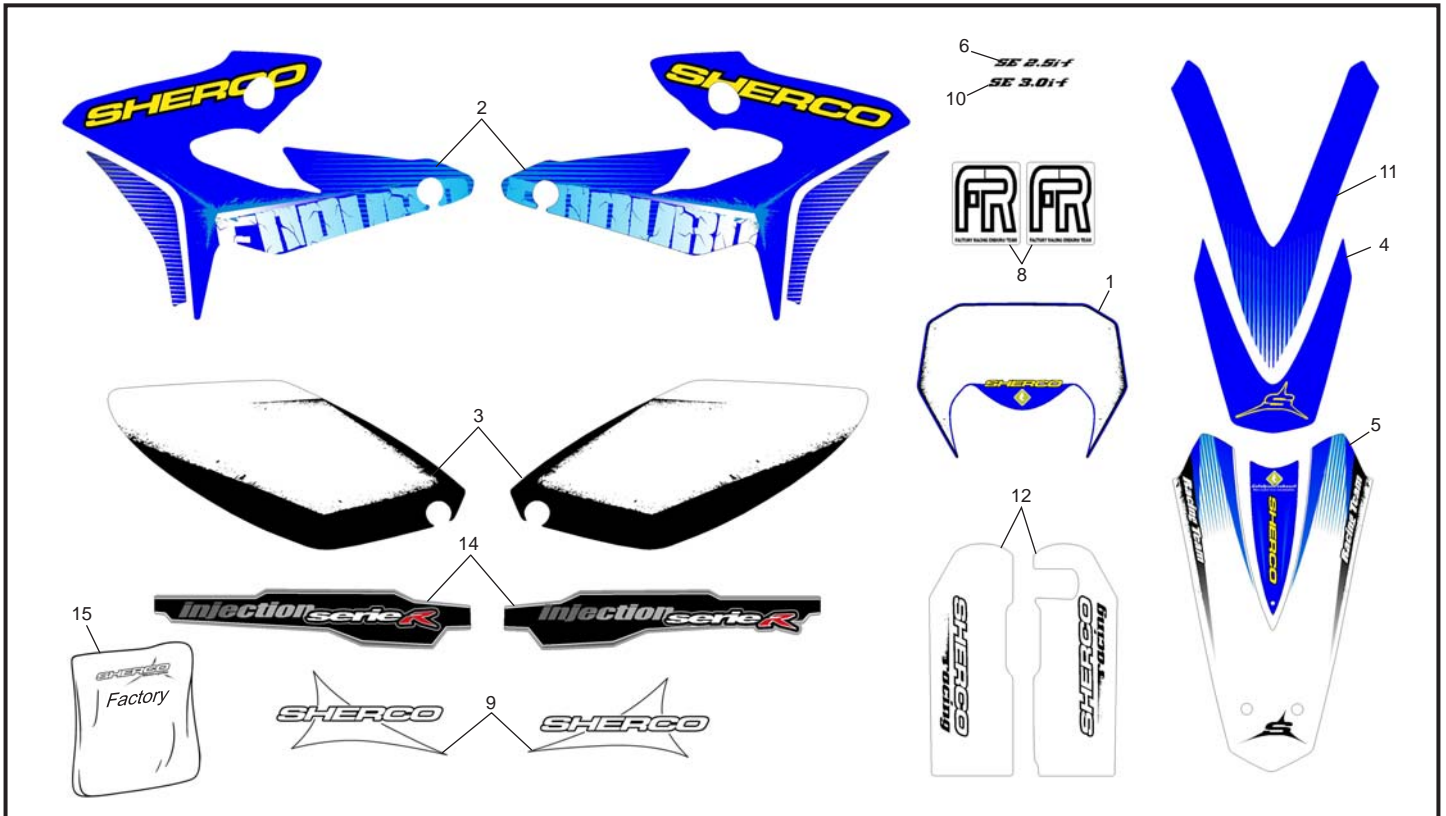


POS.	SE 2.5 / 3.0i F/R	FRANÇAIS	ENGLISH	ESPAÑOL
1	0248	PARE BOUE AVANT BLEU	FRONT FENDER BLUE	GUARDABARROS DEL AZUL
2	1928	OUÏE DROITE BLEU	RH RADIATOR SIDE PANEL BLUE	PLACA RADIADOR DER AZUL
3	1929	OUÏE GAUCHE BLEU	LH RADIATOR SIDE PANEL BLUE	PLACA RADIADOR IZQ AZUL
4	1515	PLAQUE LATERAL D BLANC	RH NUMBER PLATE WHITE	PLACA NO DER. BLANCO
5	1513	PARE BOUE ARRIERE BLANC	BACK MUDGUARD WHITE	GUARDABARROS TRA. BLANCO
6	1514	PLAQUE LATERAL G BLANC	LH NUMBER PLATE WHITE	PLACA NO IZQ. BLANCO
7	0288	BAVETTE DE FILTRE	FILTER GUARD	GUARDABARROS FILTRO
8	2960	PROTECTEUR FOURCHE BLANC JEU	LEFT FORK PROTECTOR SET WHITE	PROTEC. HORQUILLA JUEGO BLANCO
9	2085	ENTRETOISE PARE BOUE	SPACER MUD GUARD	CASQUILLO GUARDABARRO
10	0491	GROUPE SUPPORT DURITE AV	FRONT BRACK HOSE HOLDER	CONJ. SOP. LATIGUILLO FRENO DEL.
11	M283	VIS SPECIALE PROTECTEUR FOURCHE	FORK PROTECTOR BOLT	TORNILLO ESPECIAL PROT. HORQUILLA
12	0575	VIS AUTO FIL 4.8X9.5LONG	SCREW AUTO TREADING 4.8X9.5 L	TORNILLO AUTO ROSCANTE 4.8X9.5 L
13	0546	VIS THEP 6X20	SREW THEP 6 X 20	TORNILLO THEP 6X20
14	M321	RONDELLE 6 X18X1.5	WASHER 6X18	ARANDELA 6X18 DIN 9021
15	0565	ENTRETOISE INOX CARROSSERIE	SPACER	CASQUILLO INOX CARROCEÍA
16	0656	VIS THEP 6X16	SREWTHEP6X16	TORNILLO THEP 6X16
17	1949	RESERVOIR ESSENCE	FUEL TANK	DEPÓSITO
18	H398	BOUCHON ESSENCE	FUEL TANK CAP	TAPÓN GASOLINA
19	0238	BUTEE PLASTIQUE RESERVOIR	RUBBER TANK HOLDER	TOPE GOMA DEPÓSITO
20	0497	FIXATION SELLE RESERVOIR	SPACER SEAT /TANK	CASQUILLO SILLÍN DEPÓSITO
21	0252	DURITE MISE A L'AIR BOUCHON ESSEN.	FUEL LINE	TUBO RESPIRADERO
22	1683	POMPE INJECTION EVO	FUEL INJECTION PUMP EVO	BOMBA INYECCIÓN EVO
23	M250	VIS CHC 5X16 1093	SCREW CHC 5X16	TORNILLO 5X16 CHC
24	0546	VIS THEP 6X20	SREW THEP 6X20	TORNILLO THEP 6X20
25	0652	VIS FHC M6X25	SCREW FHC M6X25	TORNILLO AVELL M6 X 25 DIN 7991
26	0250	PLAQUE PHARE BLEU	FRONT LIGHT BLUE	PLACA FARO AZUL
27	0251	DURITE ALIMENTATION INJ.	HOSE INJECTION	TUBO GASOLINA INYECCIÓN
28	0793	SANGLE HOM. SELLE	STRAPP SEAT HOMOL	CORREA HOMOLOGACIÓN
29	1494	SUPPORT GUIDE DURITE	BRAKE HOSE SUPPORT	SOPORTE GUÍA LATIGUILLO
30	1927	SELLE	SEAT	SILLÍN
31	0530	DZUS DE SELLE	DZUS FASTENER	CIERRE SILLÍN
32	0532	RONDELLE PLASTIQUE DZUS	WASHER	ARANDELA PLÁSTICO DZUS
33	0533	RONDELLE VEROUILLAGE DZUS	DZUS CLIP	ARANDELA VEROUILLAGE DZUS
34	1274	VIS TOLE FIL 4.2X16	SCREW AUTO THREADING 4.2X16	TORNILLO AUTORROSCANTE 4.2X16



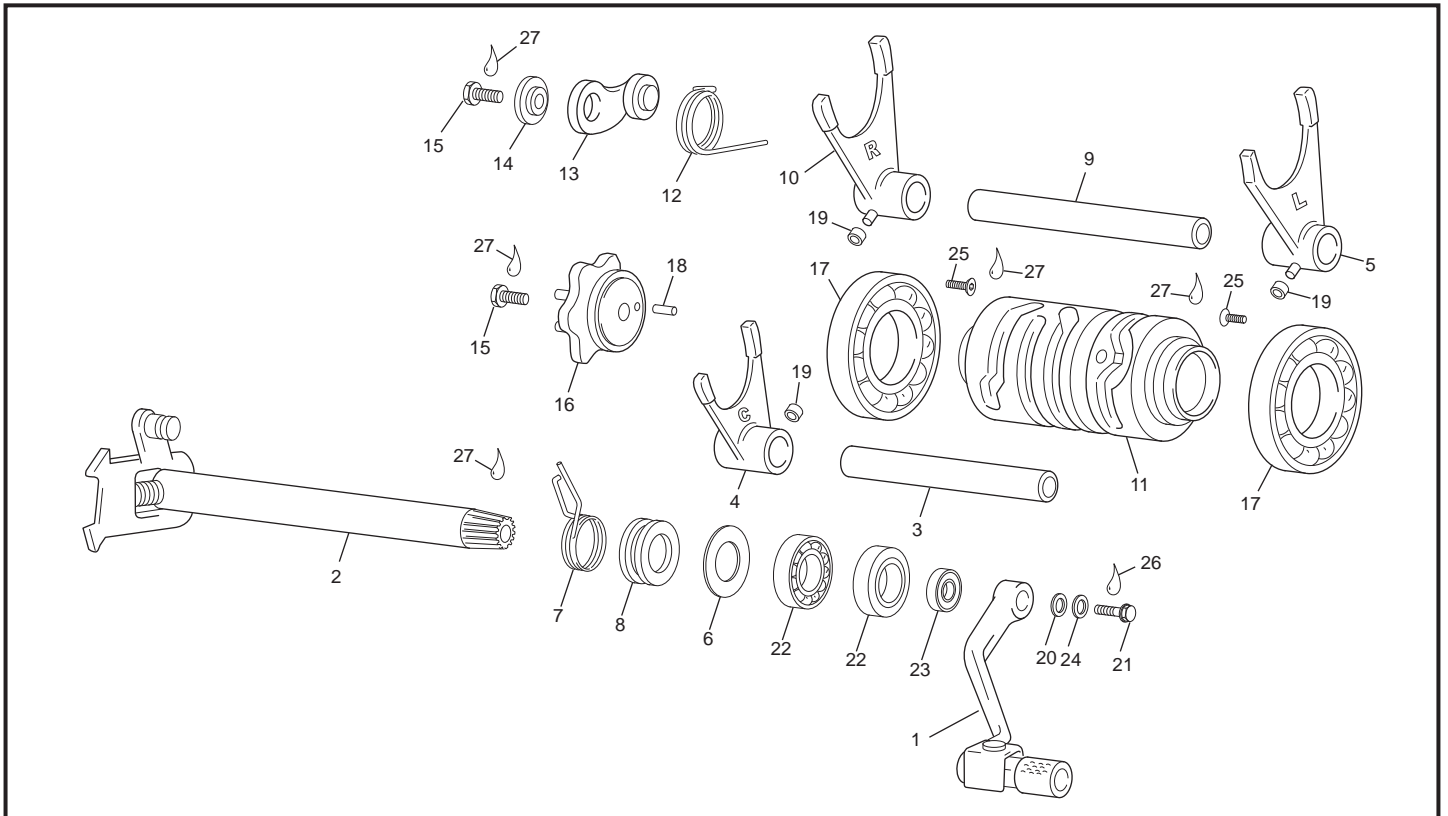
POS.	SE 2.5 / 3.0i F/R	FRANÇAIS	ENGLISH	ESPAÑOL
35	0805	CARTOUCHE COUDE POMPE	PETROL BOMB PIPETTE PART	PIPETA BOMBA GASOLINA RECAMBIO
36	0495	BOUCHON	CAP	TAPÓN
37	H050	ELASTIQUE PLAQUE PHARE	HEADLIGHT RUBBER MOUNT	ELÁSTICO PLACA FARO
38	0363	GUIDE DURITE	FRONT BRAKE LINE CLIP	GUÍA LATIGUILLO
39	M336	VIS TOLE 2.9X9.5	SCREW TOLE 2.9X9.5	TORNILLO CHAPA 2.9X9.5
40	3244	ENTRETOISE PROTECTION FOURCHE	SPACER BOODY 450 END	CASQUILLO CARROCERIA

Adhésif / Sticker / Adhesivo



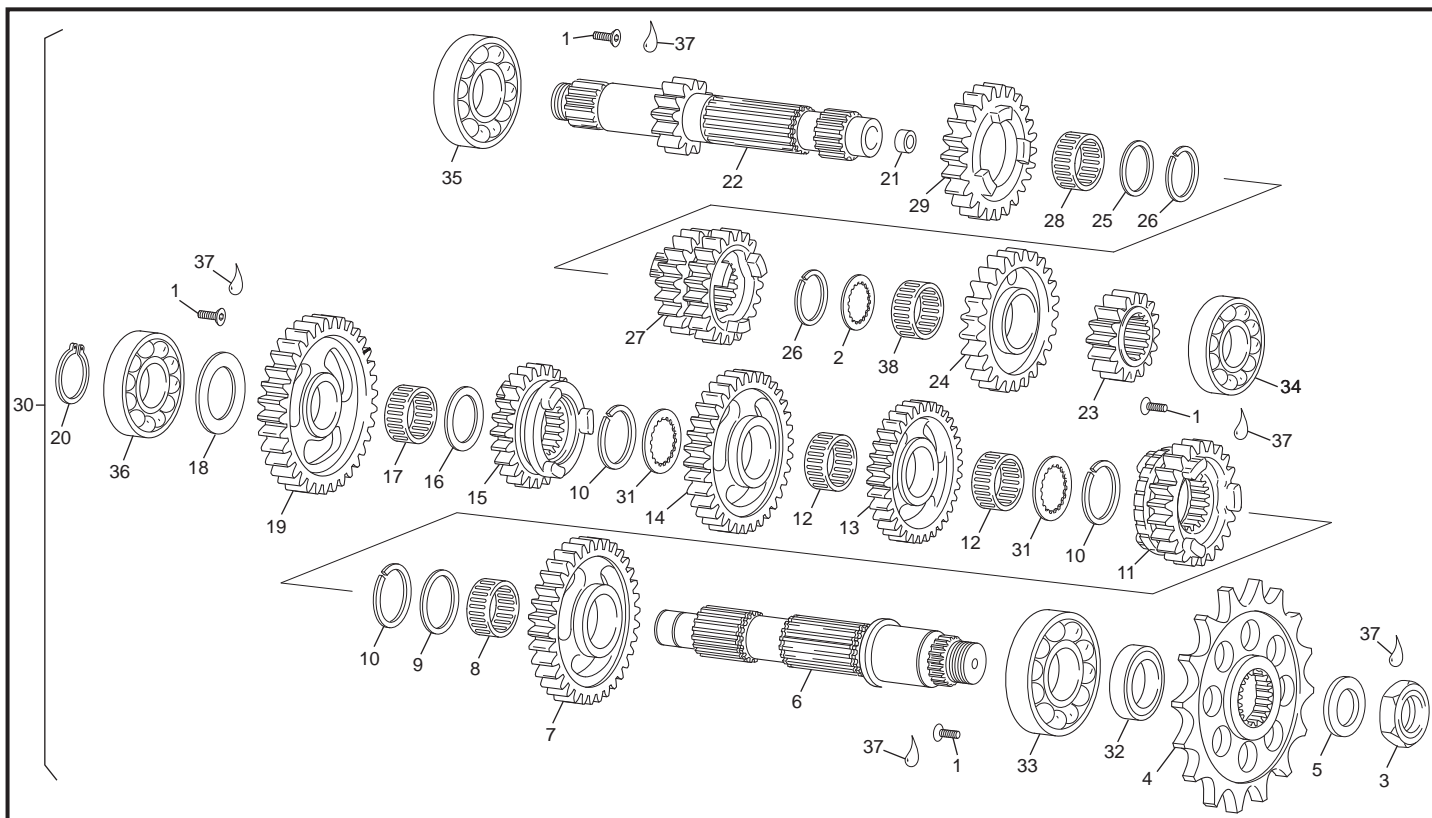
POS.	SE 2.5 / 3.0i F/R	FRANÇAIS	ENGLISH	ESPAÑOL
1	3236	ADH. PLAQUE PHARE BLANC	STICKERS FRONT LIGHT WHITE	ADH. PLACA FARO BLANCO
2	3239	ADH. OUIE JEU	RADIATOR GUARD STICKERS (PAIR)	ADH. TAPA RADIADOR JUEGO
3	3237	ADH. PLAQUE NUM. JEU BLANC	SIDE NUMBER STICKERS (PAIR) WHITE	ADH. PLACA N°. JUEGO BLANCO
4	3240	ADH. PARE BOUE AVANT	STCKER FRONT MUDGARD	ADH. GUARDABARROS DELANTERO
5	3241	ADH. PARE BOUE ARRIERE	STICKER PEAR MUDGARD	ADH. GUARDABARROS TRASERO
6	2059	ADH. SE 2.5i-F	STICKER SE 2.5i-F	ADH. SE 2.5i-F
7	2296	ADH. PHARE	STICKER FRONT LIGHT	ADH. FARO
8	3252	ADH. FOURCHE "FR" JEU	STICKER FORK "FR" SET	JUEGO ADHESIVOS HORQUILLA "FR"
9	2064	ADH. PARE MAINS JEU	STICKER HAND GUARD SET	JUEGO ADHESIVOS PARA MANDO
10	2297	ADH. SE 3.0i F	STICKER SE 3.0i F	ADHESIVO SE 3.0i F
11	3247	ADH. PROTECTIONS DE FOURCHE (JEU)	STICKERS FORKS SET	ADH. PROTEC. DE HORQUILLA JUEGO
12	3247	ADHESIF FOURCHE 450 END 11 PAIRE	STICKER FORK END 450 11 JUEGO	ADESIVO HORQUILLA END 450 11 PAIR
14	3242	ADHESIFS BRAS END 2011 R	STICKER SHERCO SWINGARM 11 R	ADESIVO SHERCO BASCULANTE 11 R
15	3516	ADHESIF KIT FACTORY 2011	FACTORY STICKER SET 2011	ADHESIVO FACTORY JUEGO 2011

Selecteur / Gear selector group / Selector cambio

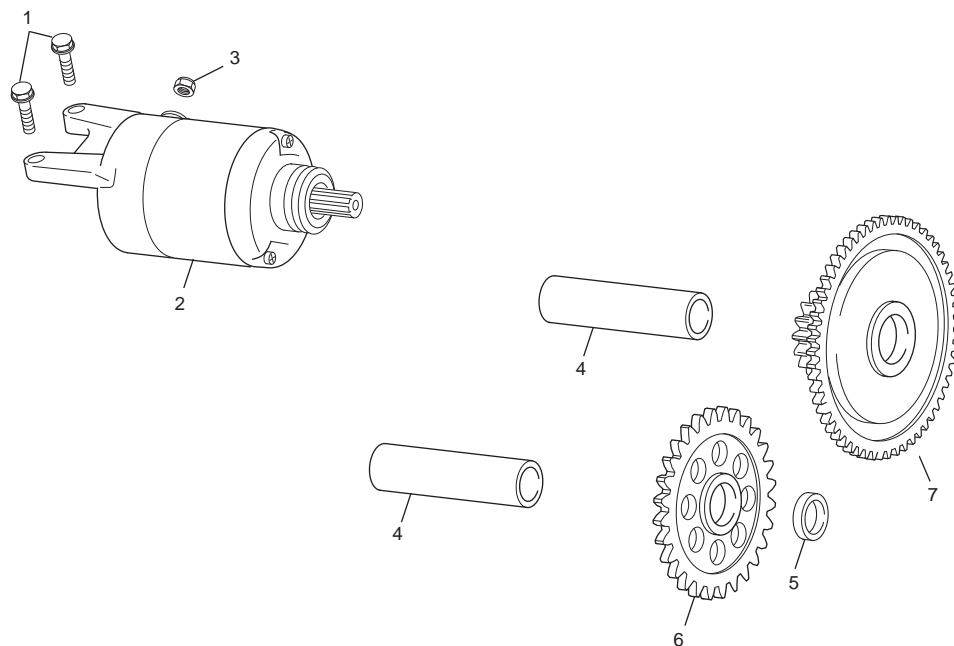


POS.	SE 2.5 / 3.0i F/R	FRANÇAIS	ENGLISH	ESPAÑOL
1	0205	LEVIER DE SELECTEUR ALU	SHIFT LEVER ASSY	PALANCA CAMBIO
2	1025	ARBRE SELECTEUR CPL	SHIFT SHAFT WITH PAWL ASSY	ÁRBOL SELECTOR
3	1019	AXE DE FOURCHETTE 90	FORK AXLE 90	EJE HORQUILLA 90
4	2324	FOURCHETTE 5/6	FORK 5/6	HORQUILLA 5/6
5	1016	FOURCHETTE 2/4	FORK 2/4	HORQUILLA 2/4
6	0529	RONDELLE 14X28X1	RONDELLE 14X28X1	ARANDELA 14X28X1
7	0208	RESSORT RAPPEL SELECTEUR	SPRING SHIFT LEVER	MUELLE SELECTOR
8	0209	DOUILLE RESSORT SELECTEUR	SPACER SPRING	CASQUILLO MUELLE SELECTOR
9	1018	AXE DE FOURCHETTE 100	FORK AXLE	EJE HORQUILLA 100
10	1017	FOURCHETTE 1/3	FORK 1/3	HORQUILLA 1/3
11	1013	TAMBOUR SELECTION	SELECTOR DRUM	DESMODRÓNICO SELECTOR
12	1022	RESSORT RAPPEL VEROUILLAGE	INDEX SPRING	MUELLE BOOMERANG
13	1020	LEVIER DE VEROUILLAGE COMP.	INDEX LEVER ASSY	PALANCA CIERRE SELECTOR
14	0215	ENTRETOISE DE VEROUILLAGE	SPACER	CASQUILLO GUÍA LEVA
15	0656	VIS THEP M6X16	SCREW M6X16	TORNILLO M6X16
16	1023	ETOILE DE SELECTION	INDEX SHIM	ESTRELLA SELECTOR
17	0868	ROULEMENT 6905	BEARING 6905	RODAMIENTO 6905
18	0101	AIGUILLE 3X11.8	NEEDLE 3X11.8	AGUJAS 3X15
19	1015	ROULEAU	ROLL	RODILLO
20	0649	RONDELLE 6X16X3	WASHER 6X16X3	ARANDELA 6X16X3
21	0546	VIS THEP 6X20	SCREW THEP 6X20	TORNILLO THEP 6X20
22	0527	DOUILLES A AIGUILLES HK 14X20X2	BEARING 14X20X2	RODAMIENTO 14X20X2
23	0660	JOINT 14X24X7	SEAL 14X24X7	RETÉN 14X24X7
24	0746	RONDELLE RESSORT TYPE 56	LOCKING DISC SPRING 56	ARANDELA DE SEGURIDAD TIPO 56
25	0872	VIS FHC M5X12	SCREW FHC M5X12	TORNILLO FHC M5X12
26	-----	FREIN FILET BLEU	THREAD LOCKER BLUE	AUTOBLOCANTE AZUL
27	-----	FREIN FILET ROUGE	THREAD LOCKER RED	AUTOBLOCANTE ROJO

Boîte a vitesses / Gear set / Cambio

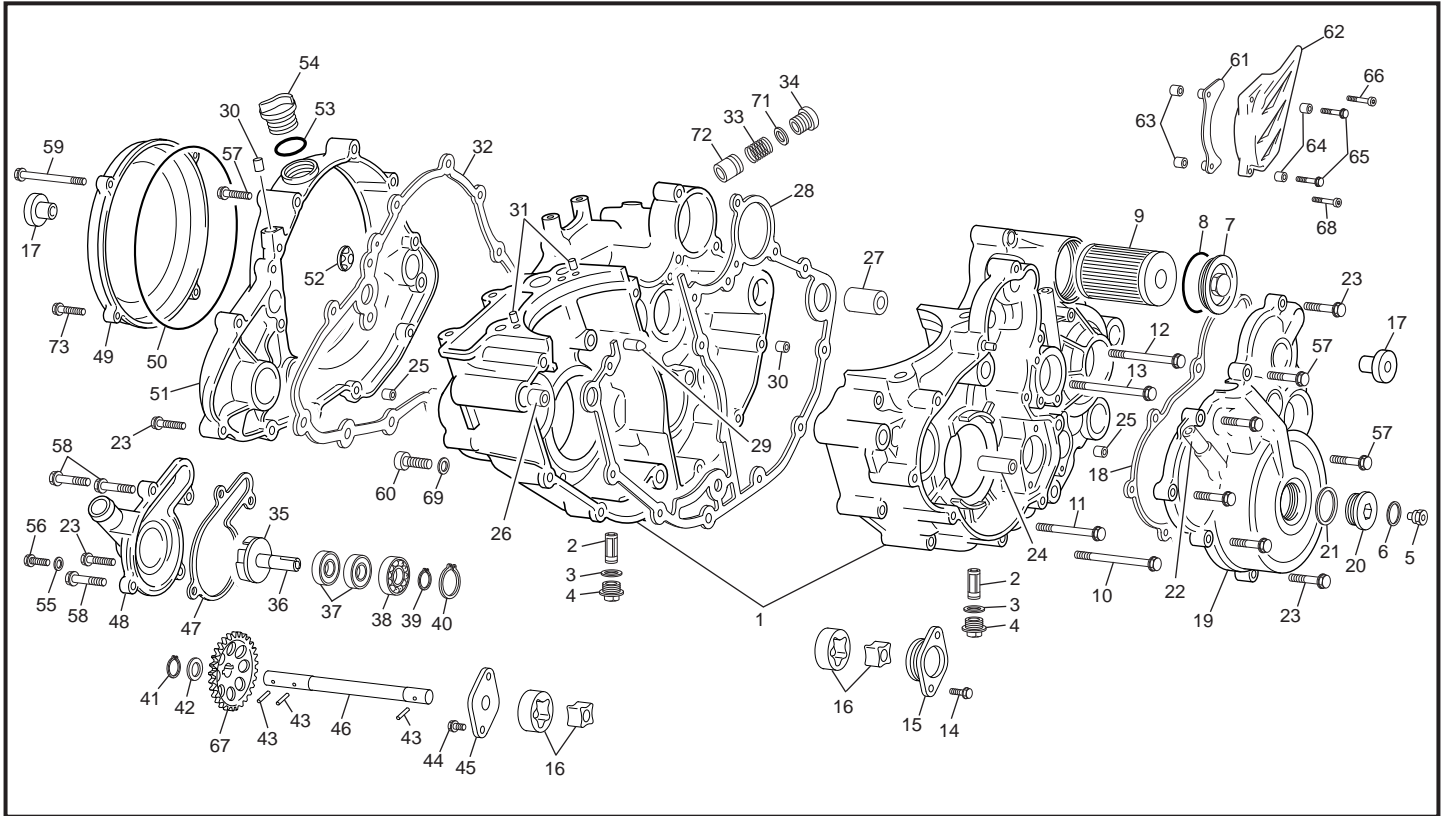


POS.	SE 2.5 / 3.0i F/R	FRANÇAIS	ENGLISH	ESPAÑOL
1	0872	VIS FHC M5X12	SCREW FHC M5X12	TORNILLO FHC M5X12
2	1794	RONDELLE 19.5X27.8X1	WASHER 19.5X27.8X1	ARANDELA 19.5X27.8X1
3	0994	ECROU M18X1	SCREW M18X1	TUERCA M18X1
4	1007	PIGNON CHAÎNE Z14	CHAIN PINION Z14	PIÑÓN CADENA Z14
4	1012	PIGNON CHAÎNE Z13	CHAIN PINION Z13	PIÑÓN CADENA Z13
5	1010	RONDELLE CONIQUE 18X35X2	WASHER SPRING 18X35X2	ARANDELA CÓNICA 18X35X2
6	1775	ARBRE SECONDAIRE	SECONDARY SHAFT	EJE SECUNDARIO
7	1776	PIGNON Z31 2 ÈME	PINION Z31 2nd.	PIÑÓN Z31 2nd.
8	1778	BAGUE AIGUILLES 24X28X14	SPACER BEARING 24X28X10	CASQUILLO AGUJAS 24X28X10
9	1779	RONDELLE 24.2X32X1.5	WASHER 24.2X32X1.5	ARANDELA 24.2X32X1.5
10	1780	CIRCLIP SW23	SNAP RING SW23	CIRCLIP SW23
11	1781	PIGNON Z22/6 ÈME	PINION Z22/6rd.	PIÑÓN DE Z22/6rd.
12	1782	BAGUE AIGUILLES 20X24X10	SPACER BEARING 20X24X10	CASQUILLO AGUJAS 20X24X10
13	1783	PIGNON Z26/4 ÈME	PINION Z26/4th.	PIÑÓN Z26/4°
14	2331	PIGNON Z23/3 ÈRE	PINION Z23/3RD	PIÑÓN Z23/3°
15	1784	PIGNON Z24/5 ÈME	PINION Z24/5°	PIÑÓN Z24/5°
16	1787	RONDELLE 18.2X28X1.5	WASHER 18.2X28X1.5	ARANDELA 18.2X28X1.5
17	1786	BAGUE AIGUILLES 18X22X10	SPACER BEARING 18X22X10	CASQUILLO AGUJAS 18X22X10
18	1788	RONDELLE 17X28X1.5	WASHER 17X28X1.5	ARANDELA 17X28X1.5
19	1789	PIGNON Z34/1 ÈRE	PINION Z34/1.	PIÑÓN Z34/1°
20	M171	SEGMENT ARRET Ø17	RETAINING RING 17	SEEGER Ø17
21	1790	BAGUE BRONZE	SPACER	CASQUILLO
22	1791	ARBRE PRIMAIRE	MAIN SHAFT	EJE PRIMARIO
23	1792	PIGNON Z16/2 ÈME	PINION Z16/2nd.	PIÑÓN Z16/2nd.
24	1793	PIGNON Z25/6 ÈME	PINION Z25/6th.	PIÑÓN Z25/6st.
25	1794	RONDELLE 22.2X27.8X1	WASHER 22.2X27.8X1	ARANDELA 22.2X27.8X1
26	1795	CIRCLIP SW21	SNAP RING SW21	CIRCLIP SW21
27	2332	PIGNON Z15/21 3 ÈME-4 ÈME	PINION Z150/213 RD ..4 TH	PIÑÓN Z15/21 3°.-4°
28	1797	BAGUE AIGUILLES 22X26X10	SPACER BEARING 22X26X10	CASQUILLO AGUJAS 22X26X10
29	1798	PIGNON Z23/5 ÈME	PINION Z23/5°	PIÑÓN Z23/5°
30	2330	BOITE A VITESSE CPL EVO	COMPLETE GEAR SET EVO	CTO. CAMBIO EVO
31	1799	RONDELLE 24X31X1	WASHER 24X31X1	ARANDELA 24X31X1
32	0877	JOINT 25X37X6	SEAL 25X37X6	RETÉN 25X37X6
33	0174	ROULEMENTS 6205 C3	BEARING 6205 C3	RODAMIENTO 6205 C3
34	0875	ROULEMENTS 6003 C3 RS	BEARING 6003 C3 RS	RODAMIENTO 6003 C3 RS
35	0876	ROULEMENTS 6222 C3	BEARING 6222 C3	RODAMIENTO 6222 C3
36	0874	ROULEMENTS 6003 C3	BEARING 6003 C3	RODAMIENTO 6003 C3
37	-----	FREIN FILET ROUGE	THREAD LOCKER RED	AUTOBLOCANTE ROJO
38	3366	CAGE À AIGUILLES FENDUE 18X22X10	OPEN NEEDLE BEARING 18X22X10	CASQUILLO AGUJAS ABIERTO 18X22X10

Démarrreur / Starter Motor / Motor Starter


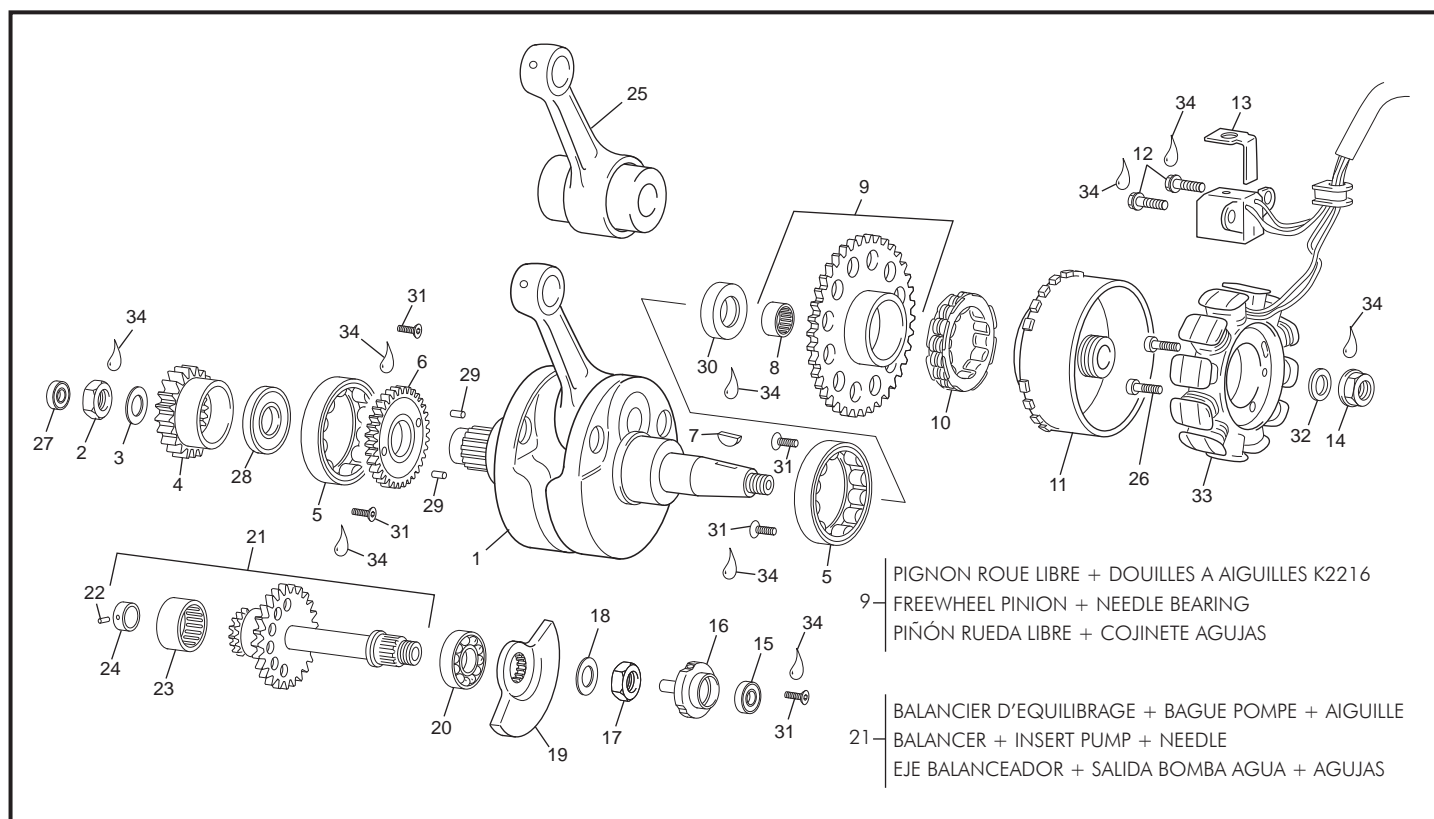
POS.	SE 2.5 / 3,0i F/R	FRANÇAIS	ENGLISH	ESPAÑOL
1	0546	VIS THEP M6X20	SCREW M6X20	TORNILLO M6X20
2	0972	DEMARREUR	START MOTOR	MOTOR STARTER
3	M306	ECROU M6	SCREW M6	TUERCA M6
4	0960	AXE	AXLE	EJE
5	0961	ENTRETOISE PIGNON INTER	SPACER	CASQUILLO
6	0958	PIGNON Z28	PINION Z28	PIÑÓN Z28
7	1995	LIMITEUR DE COUPLE 2.5i/3,0i	TORQUE LIMITEUR 2.5i/3,0i	LIMITADOR DE PAR 2.5/3,0i

Groupe carters / Crankcase assembly / Grupo carters

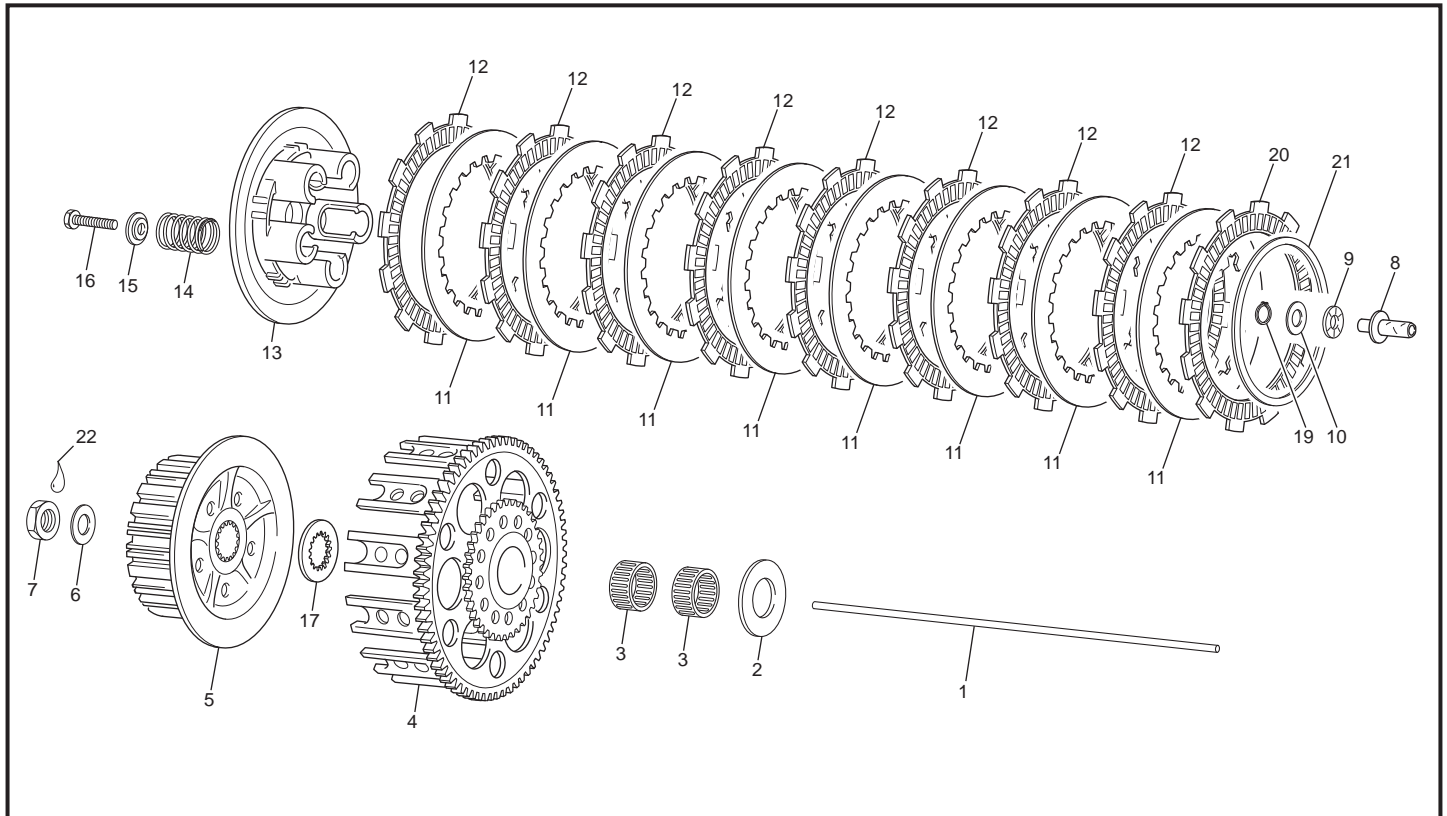


POS.	SE 2.5 / 3.0i F/R	FRANÇAIS	ENGLISH	ESPAÑOL
67	0944	PIGNON POMPE HUILE	OIL PUMP PINION	PIÑÓN BOMBA ACEITE
68	1721	VIS CHC TÊTE BASSE M6X30	SCREW M6X30	TORNILLO M6X30
69	1661	RONDILLE ALU 10X14X1.5	WASHER 10X14X1.5	ARANDELA 10X14X1.5
71	0951	RONDILLE ALUMINIUM	ALUMINIUM WASHER	ARANDELA ALUMINIO
72	0949	PISTON CLAPET DE DÉCHARGE	PISTON PRESSURE VALVE	PISTÓN PRESIÓN VÁLVULA
73	0546	VIS THEP M6X20	SCREW M6X20	TORNILLO M6X20

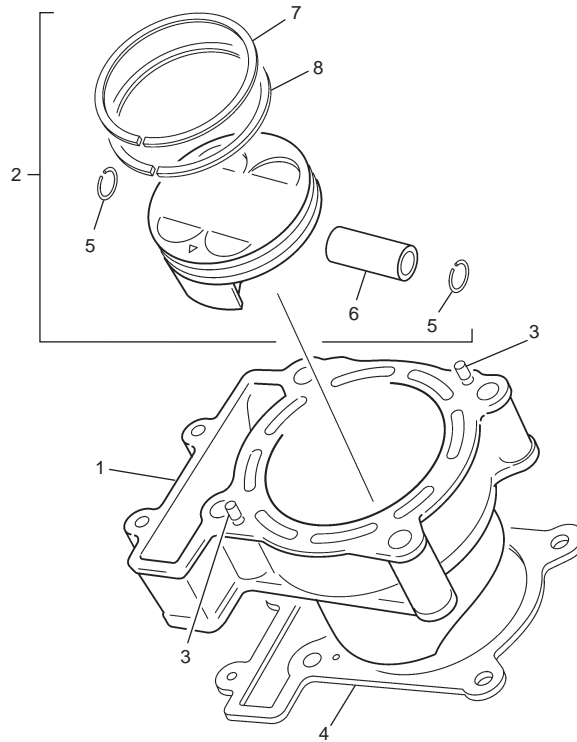
Villebrequin assemble / Crankshaft assembly / Cigüeñal biela



POS.	SE 2.5 F/R	SE 3.0i F/R	FRANÇAIS	ENGLISH	ESPAÑOL
1	0863	2336	VILEBREQUIN COMPLET	CRANKSHAFT ASSEMBLY	CIGÜEÑAL
2	0051	0051	ECROU M20X1	SCREW M20X1	TUERCA M20X1
3	0050	0050	RONDELLE 21X32X1.2	WASHER 21X32X1.2	ARANDELA 21X32X1.2
4	0976	0976	PIGNON PRIMAIRE Z21	CLUTCH SHAFT PINION	PIÑÓN PRIMARIO
5	1592	1592	ROULEMENTS ROULEAUX NJ206 EPC/C3	ROLLER BEARING NJ206 EPC/C3	COJINETE ROL. NJ206 EPD/C3
6	0852	0852	PIGNON VILEBREQUIN Z25	CRANKSHAFT PINION Z25	PIÑÓN CIGÜEÑAL Z25
7	0055	0055	CLAVETTE	WOODURFF	CHAVETA
8	0290	0290	DOUILLES A AIGUILLES K2216	NEEDLE BEARING	COJINETE AGUJAS
9	0957	0957	PIGNON ROUE LIBRE Z49	FREEWHEEL PINION	PIÑÓN RUEDA LIBRE
10	0962	0962	ROUE LIBRE	FREEWHEEL	RUEDA LIBRE
11	1893	1893	ROTOR	ROTOR	ROTOR
12	0553	0553	VIS THEP M5X12	SCREW M5X12	TORNILLO M5X12
13	0964	0964	PATTE MAINTIEN FIL ALLUMAGE	IGNITION WIRING CLAMP	PATA SOPORTE HILO ENCENDIDO
14	1405	1405	ECROU M12X1	SCREW M12X1	TUERCA M12X1
15	0660	0660	JOINT 14X24X6	SEAL 14X24X6	RETÉN 14X24X6
16	1581	1581	ROTOR RENIFLARD	BREATHER WHEEL	CENTRIFUGADOR
17	0861	0861	ECROU SCPECIAL M14X1	SCREW M14X1	TUERCA M14X1
18	0887	0887	RONDELLE 14.2X28X1.5	WASHER 14.2X28X1.5	ARANDELA 14.2X28X1.5
19	0851	0851	MASSE D'EQUILIBRAGE	BALANCER WEIGHT	MASA DE EQUILIBRAJE
20	0870	0870	ROULEMENTS 6203	BEARING 6203	COJINETE 6203
21	0849	0849	BALANCIER D'EQUILIBRAGE	BALANCER SHAFT	EJE BALANCEADOR
22	0110	0110	AIGUILLE 3X15	NEEDLE 3X15	AGUJAS 3X15
23	0871	0871	ROULEMENTS AIGUILLE 4905	BEARING	COJINETES
24	0853	0853	BAGUE POMPE A EAU	INSERT PUMP DRIVE	SALIDA BOMBA AGUA
25	1512	1512	KIT BIELLE 250	CRANKSHAFT REPAIR KIT 250	KIT BIELA 250
26	M250	M250	VIS CHC M5X16/1250	SCREW M5X16	TORNILLO M5X16
27	0891	0891	JOINT 8X18X5	SEAL 8X18X5	RETÉN 8X18X5
28	0873	0873	JOINT 36X54X7.5	SEAL 36X54X7.5	RETÉN 36X54X7.5
29	0864	0864	AIGUILLE 5X1.0	NEEDLE 5X1.0	AGUJAS 5X1.0
30	1732	1732	ENTRETOISE VILEBREQUIN	SPACER CRANKSHAFT	CASQUILLO CIGÜEÑAL
31	0872	0872	VIS FHC M5X12	SCREW FHC M5X12	TORNILLO FHC M5X12
32	1963	1963	RONDELLE BELLEVILLE 12,2X23X1	SPING WASHER 12,2X23X1	ARANDELA BELLEVILLE 12,2X23X1
33	0968	0968	STATOR	STATOR	STATOR
34	-----	-----	FREIN FILET ROUGE	THREAD LOCKER RED	AUTOBLOCANTE ROJO

Embrayage / Clutch / Embrague


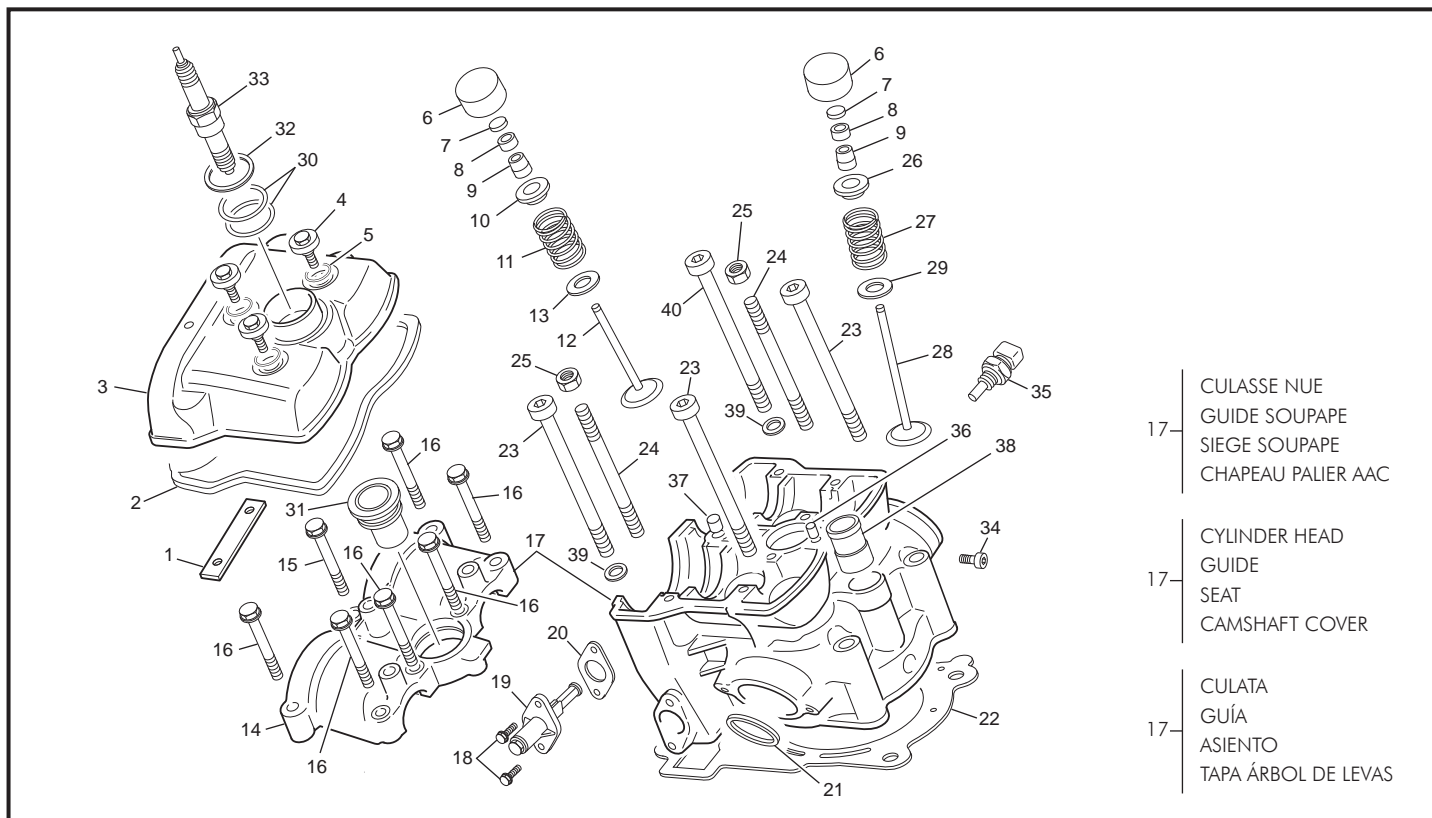
POS.	SE 2.5 / 3,0i F/R	FRANÇAIS	ENGLISH	ESPAÑOL
1	0982	TIGE DE POUSSEE	CLUTCH ACTUATING ROD	VARILLA EMB
2	0990	RONDELLE 22.2X40X1.5	WASHER 22.2X40X1.5	ARANDELA 22.2X40X1.5
3	0992	DOUILLE AIGUILLES 22X26X10	NEEDLE DOWEL 22X26X10	CASQUILLO AGUJAS 22X26X10
4	0977	CLOCHE + PIGNON Z48	CLUTCH BASKET + PINION Z48	CAMPANA EMBRAGUE + PIÑÓN Z48
5	3290	NOIX D'EMBRAYAGE	CLUTCH HUB	CUBO EMBRAGUE
6	1010	RONDELLE 18X35X2	WASHER 18X35X2	ARANDELA 18X35X2
7	0994	ECROU M18X1	SCREW M18X1	TUERCA M18X1
8	0983	POUSSOIR DE PLATEAU	CLUTCH RELEASE	PULSADOR AXIAL
9	0997	BUTEE AIGUILLE	NEEDLE THRUST BEARING	CORONA COJINETE AGUJAS
10	0998	RONDELLE 8X21X1	WASHER 8X21X1	ARANDELA 8X21X1
11	0985	DISQUE LISSE	METAL DISC	DISCO EMBRAGUE METÁLICO
12	0984	DISQUE GARNI	FRICTION DISC	DISCO EMBRAGUE FORRADO
13	0987	PLATEAU	CLUTCH SPRING HOLDER	PLATO EMBRAGUE
14	0988	RESSORT EMB.	CLUTCH SPRING	MUELLE EMB.
15	3293	RONDELLE 6X18X4	WASHER 6X18X4	ARANDELA 6X18X4
16	0970	VIS TH M6X25	SCREW M6X25	TORNILLO M6X25
17	0991	RONDELLE BUTEE CRENELEE	SPACER WASHER	ARANDELA CRENELEE
18	0854	GROUPE EMBRAYAGE COMPLET	CLUTCH GRUPO	GRUPO EMBRAGUE COMPLETO
19	0080	CIRCLIP	CIRCLIP	SERCLIP
20	3291	DISQUE GARNI SPECIAL	SPECIAL FRICTION DISC	DISCO EMBRAGUE ESPECIAL
21	3292	RONDELLE RESSORT	SPRING WASHER	ARANDELA MUELLE
22	-----	FREIN FILET ROUGE	THREAD LOCKER RED	AUTOBLOCANTE ROJO



	2337
1836 (2)	2338
(Ø 84)	0850
	2380
	0847
0845 (2)	0848
(Ø 78)	0850
	0846

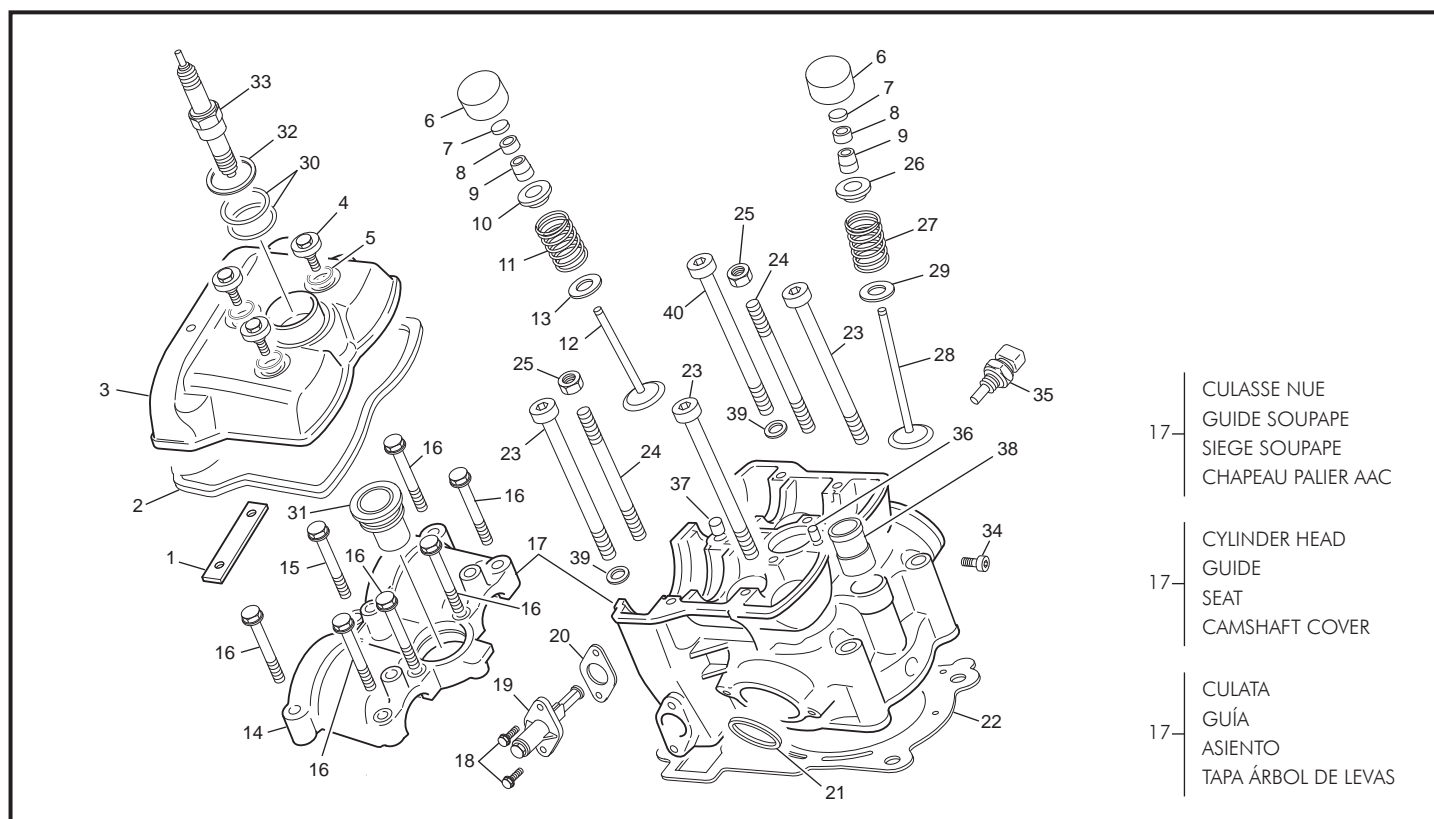
POS.	SE 2,5i F/R	SE 3,0i F/R	FRANÇAIS	ENGLISH	ESPAÑOL
1	3274	3120	CYLINDRE	CYLINDER	CILINDRO
2	0845	1836	PISTON COMPLET	PISTON ASS	PISTÓN COMPLETO
3	0864	0864	AIGUILLE 5X10	NEEDLE 5X10	AGUJAS 5X10
4	3017	3017	JOINT EMBASE 0,3mm	CYLINDER GASKET 0,3mm	JUNTA CILINDRO 0,3mm
5	0850	0850	CIRCLIP	CIRCLIP	SERCLIP
6	0846	2380	AXE DE PISTON	PISTON PIN	BULÓN PISTÓN
7	0847	2337	SEGMENT DE FEU	COMPRESSION RING	ARO DE COMPRESIÓN
8	0848	2338	SEGMENT RACLEUR HUILE	OIL RING PISTON	ARO ENGRASE PISTÓN

Culasse / Cylinder head / Culata



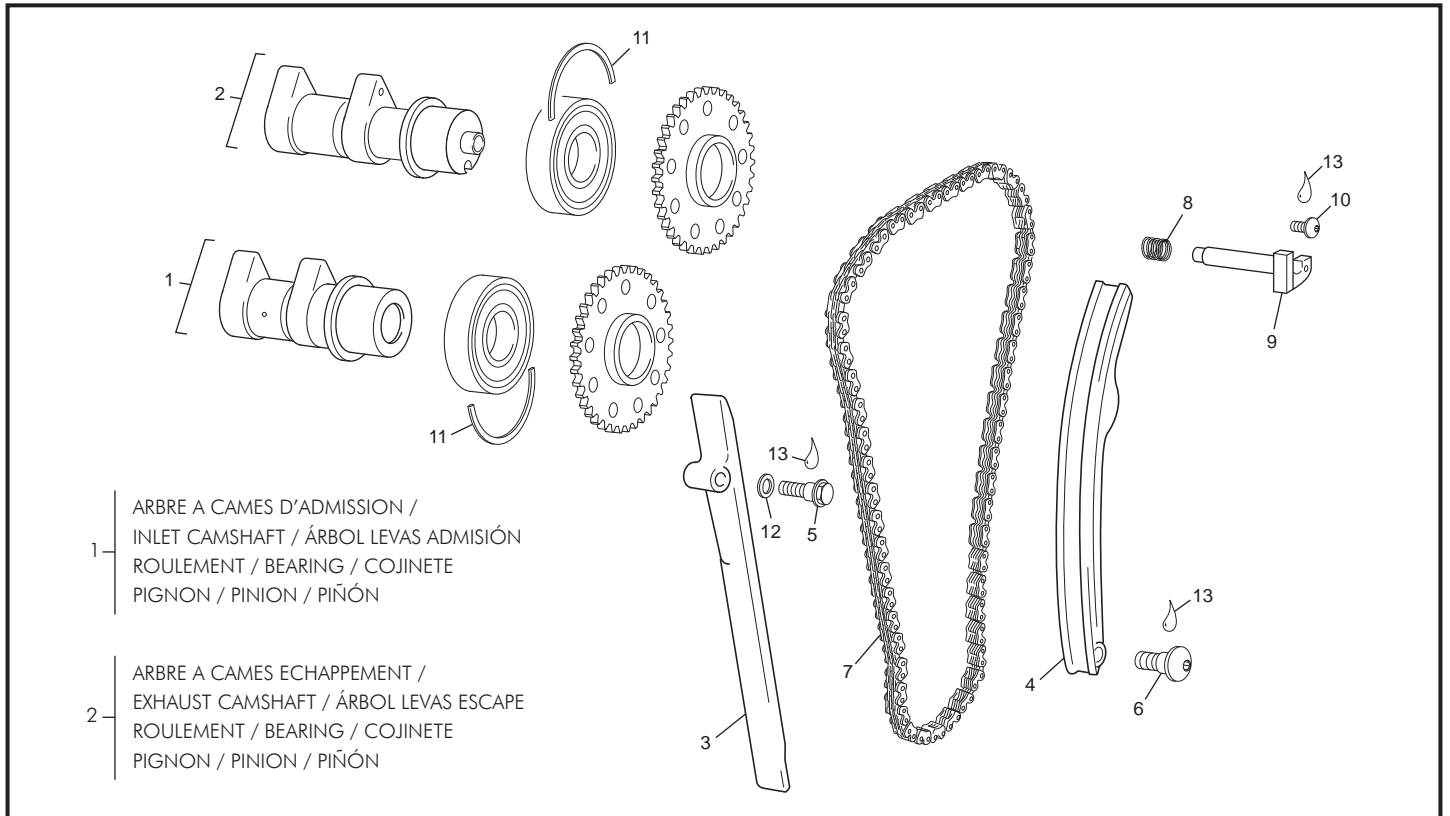
POS.	SE 2,5i F/R	SE 3,0i F/R	FRANÇAIS	ENGLISH	ESPAÑOL
1	1585	1585	PATIN COUVERCLE CULASSE	CHAIN GUIDE	PATÍN TAPA CULATA
2	0902	0902	JOINT COUVERCLE CULASSE	CYLINDER HEAD COVER GASKET	JUNTA TAPA CULATA
3	0904	0904	COUVERCLE CULASSE	CYLINDER HEAD COVER	TAPA CULATA
4	0901	0901	VIS COUVERCLE CULASSE M6x10	SCREW CYLINDER HEAD COVER	TORNILLO TAPA CULATA
5	0900	0900	JOINT TORIQUE 1.5X2.7 VIS COUV. CU.	O-RING CYLINDER HEAD COVER	JUNTA TÓRICA TORNILLO TAPA CULATA
6	0910	0910	POUSSOIR Ø 24	TAPPET Ø 24	BOTÓN Ø 24
7	1596	1596	PASTILLE DE REGLAGE 1.5	VALVE ADJUSTING 1.5	PASTILLA REGLAJE 1.5
7	1598	1598	PASTILLE DE REGLAGE 1.54	VALVE ADJUSTING 1.54	PASTILLA REGLAJE 1.54
7	1600	1600	PASTILLE DE REGLAGE 1.58	VALVE ADJUSTING 1.58	PASTILLA REGLAJE 1.58
7	1602	1602	PASTILLE DE REGLAGE 1.62	VALVE ADJUSTING 1.62	PASTILLA REGLAJE 1.62
7	1604	1604	PASTILLE DE REGLAGE 1.66	VALVE ADJUSTING 1.66	PASTILLA REGLAJE 1.66
7	1606	1606	PASTILLE DE REGLAGE 1.7	VALVE ADJUSTING 1.7	PASTILLA REGLAJE 1.7
7	1608	1608	PASTILLE DE REGLAGE 1.74	VALVE ADJUSTING 1.74	PASTILLA REGLAJE 1.74
7	1610	1610	PASTILLE DE REGLAGE 1.78	VALVE ADJUSTING 1.78	PASTILLA REGLAJE 1.78
7	1612	1612	PASTILLE DE REGLAGE 1.82	VALVE ADJUSTING 1.82	PASTILLA REGLAJE 1.82
7	1614	1614	PASTILLE DE REGLAGE 1.86	VALVE ADJUSTING 1.86	PASTILLA REGLAJE 1.86
7	1616	1616	PASTILLE DE REGLAGE 1.9	VALVE ADJUSTING 1.9	PASTILLA REGLAJE 1.9
7	1618	1618	PASTILLE DE REGLAGE 1.94	VALVE ADJUSTING 1.94	PASTILLA REGLAJE 1.94
7	1620	1620	PASTILLE DE REGLAGE 1.98	VALVE ADJUSTING 1.98	PASTILLA REGLAJE 1.98
7	1622	1622	PASTILLE DE REGLAGE 2.02	VALVE ADJUSTING 2.02	PASTILLA REGLAJE 2.02
7	1624	1624	PASTILLE DE REGLAGE 2.06	VALVE ADJUSTING 2.06	PASTILLA REGLAJE 2.06
7	1626	1626	PASTILLE DE REGLAGE 2.1	VALVE ADJUSTING 2.1	PASTILLA REGLAJE 2.1
7	1628	1628	PASTILLE DE REGLAGE 2.4	VALVE ADJUSTING 2.4	PASTILLA REGLAJE 2.4
7	1630	1630	PASTILLE DE REGLAGE 2.8	VALVE ADJUSTING 2.8	PASTILLA REGLAJE 2.8
7	1632	1632	PASTILLE DE REGLAGE 2.22	VALVE ADJUSTING 2.22	PASTILLA REGLAJE 2.22
7	1634	1634	PASTILLE DE REGLAGE 2.26	VALVE ADJUSTING 2.26	PASTILLA REGLAJE 2.26
7	1636	1636	PASTILLE DE REGLAGE 2.3	VALVE ADJUSTING 2.3	PASTILLA REGLAJE 2.3
7	1638	1638	PASTILLE DE REGLAGE 2.34	VALVE ADJUSTING 2.34	PASTILLA REGLAJE 2.34
7	1640	1640	PASTILLE DE REGLAGE 2.38	VALVE ADJUSTING 2.38	PASTILLA REGLAJE 2.38
7	1641	1641	PASTILLE DE REGLAGE 2.4	VALVE ADJUSTING 2.4	PASTILLA REGLAJE 2.4
7	1643	1643	PASTILLE DE REGLAGE 2.44	VALVE ADJUSTING 2.44	PASTILLA REGLAJE 2.44
7	1645	1645	PASTILLE DE REGLAGE 2.48	VALVE ADJUSTING 2.48	PASTILLA REGLAJE 2.48
7	1647	1647	PASTILLE DE REGLAGE 2.52	VALVE ADJUSTING 2.52	PASTILLA REGLAJE 2.52
7	1649	1649	PASTILLE DE REGLAGE 2.56	VALVE ADJUSTING 2.56	PASTILLA REGLAJE 2.56

Culasse / Cylinder head / Culata



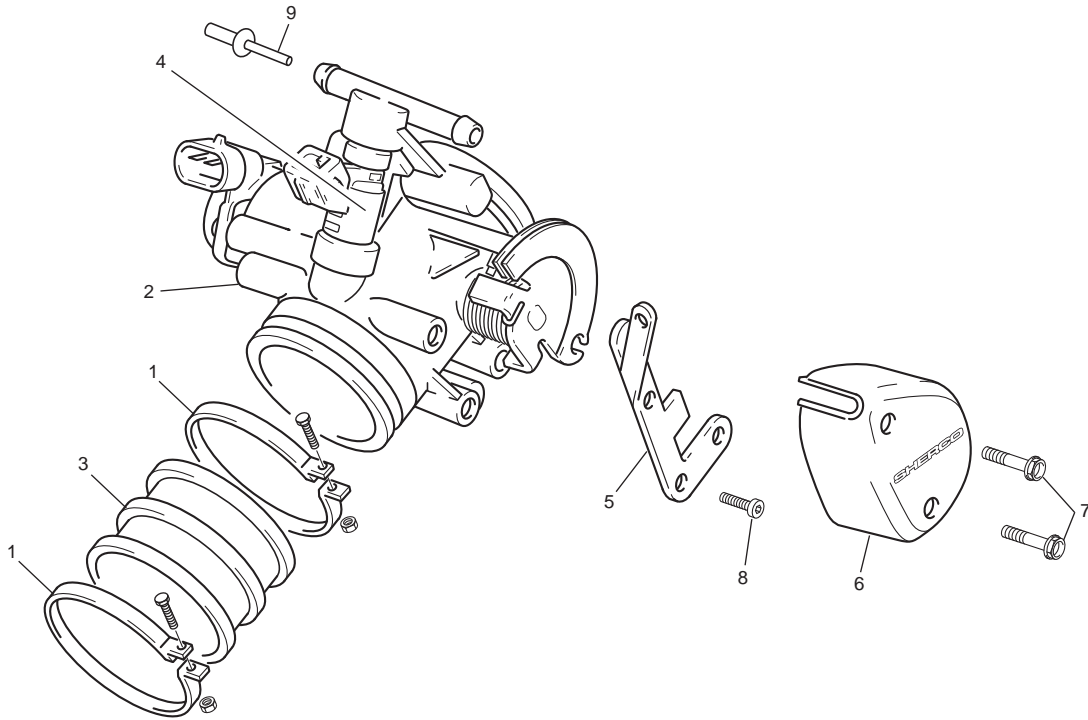
POS.	SE 2,5i F/R	SE 3,0i F/R	FRANÇAIS	ENGLISH	ESPAÑOL
7	1651	1651	PASTILLE DE RÉGLAGE 2.58	VALVE ADJUSTING 2.58	PASTILLA REGLAJE 2.58
8	0930	0930	DEMI CONE	VALVE SPRING RETAINER	SEMICONO VÁLVULA
9	0934	0934	JOINT SOUPAPPE	VALVE SEAL	RETÉN VÁLVULA
10	1519	1519	COUPELLE DE SOUPAPE D'ÉCHAPEMENT	EXHAUST VALVE SPRING CAP	SOMBRETE VÁLVULA ESCAPE
11	0932	0932	RESSORT SOUPAPE D'ÉCHAPEMENT	INTAKE VALVE SPRING	MUELLE VÁLVULA ESCAPE
12	0928	0928	SOUPAPES D'ÉCHAPEMENT	EXHAUST VALVE	VÁLVULA ESCAPE
13	1518	1518	SIEGE DE RESSORT D'ÉCHAPEMENT	VALVE SPRING WASHER	ARANDELA MUELLE VÁLVULA END
14	0909	0909	CHAPERU PALIER ARBRE A CAME	CAMSHAFT COVER	TAPA ÁRBOL DE LEVAS
15	0548	0548	VIS THEP M6X35	SCREW THEP M6X35	TORNILLO THEP M6X35
16	0547	0547	VIS THEP M6X30	SCREW THEP M6X30	TORNILLO THEP M6X30
17	3018	3018	CULASSE ASSEMBLÉE	CYLINDER HEAD ASSEMBLY	CONJUNTO CULATA
18	0656	0656	VIS THEP M6X16	SCREW THEP M6X16	TORNILLO THEP M6X16
19	0921	0921	TENDEUR DE CHAINE	CHAIN TENSIONER ASSEMBLY	TENSOR CADENA DISTRIB.
20	0922	0922	JOINT TENDEUR	GASKET	JUNTA TENSOR
21	1766	1766	JOINT D'ÉCHAPEMENT	EXHAUST GASKET	JUNTA ESCAPE
22	3114	3016	JOINT DE CULASSE 3 FEUILLES	CYLINDER HEAD GASKET 3 SHEETS	JUNTA CULATA 3 HOJAS
23	0896	0896	VIS M10X115	SCREW M10X115	TORNILLO M10X115
24	0898	0898	GOUJON CYLINDRE M6	PIN M6	GAVIA M6
25	M271	M271	ECROU M6	HEXNUT M6	TUERCA M6
26	0929	0929	COUPELLE DE SOUPAPE D'ADMISSION	INLET VALVE SPRING CAP	SOMBRETE VÁLVULA ADMISIÓN
27	0931	0931	RESSORT SOUPAPE D'ADMISSION	INLET VALVE SPRING	MUELLE VÁLVULA ADMISIÓN
28	0927	0927	SOUPAPE D'ADMISSION	INLET VALVE	VÁLVULA ADMISIÓN
29	0933	0933	SIEGE DE RESSORT D'ADMISSION	INLET VALVE SPRING WASHER	ARANDELA MUELLE VÁLVULA ADMISIÓN
30	0969	0969	JOINT TORIQUE 28X2 MBR	O RING 28X2 NBR	JUNTA 28X2 NBR
31	0895	0895	PUIT DE BOUGIE	TUBE WELL OK SPARK	TUBO PAZO BUJÍA
32	0899	0899	JOINT DE PUIT DE BOUGIE	SPARK GASKET	JUNTA BUJÍA
33	0431	0431	BOUGIE	SPARK	BUJÍA
34	1969	1969	VIS M6X10	SCREW M6X10	TORNILLO M6X10
35	0380	0380	CAPTEUR D'EAU	WATER SENSOR	SENSOR AGUA
36	0864	0864	AIGUILLE 5X10	NEEDLE 5X10	AGUJA 5X10
37	0008	0008	DOUILLE DE CENTRAGE	DOWEL	CENTRADOR
38	0464	0464	RACCORD CULASSE DURITE	WATER CONNECTION	CONECTOR TUBO
39	1774	1774	BAGUE D'APPUI VIS CULASSE 250 END	SPACER SCREW CYLINDER HEAD 250 END	CASQUILLO TORNILLO CULATA 250 END
40	0897	0897	VIS M10X125	SCREW M10X125	TORNILLO M10X125

Distribution / Camshaft and drive assembly / Distribución

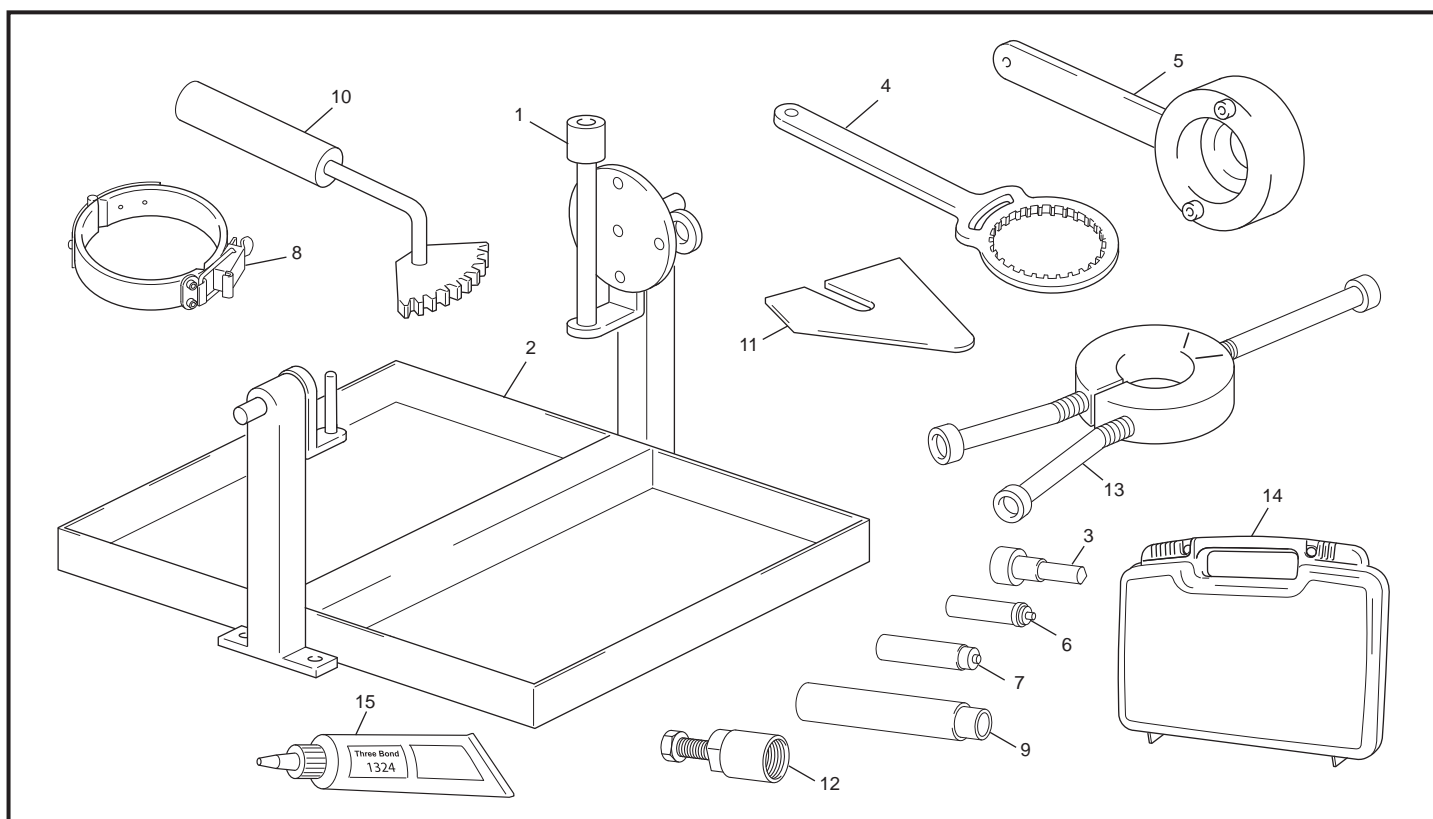


POS.	SE 2,5i F/R	SE 3,0i F/R	FRANÇAIS	ENGLISH	ESPAÑOL
1	1800	3266	ARBRE A CAMES D'ADMISSION	INLET CAMSHAFT ASS.	ÁRBOL LEVAS ADMISIÓN
2	1801	3267	ARBRE A CAMES ECHAPPEMENT	EXHAUST CAMSHAFT ASS.	ÁRBOL LEVAS ESCAPE
3	0913	0913	GUIDE CHAINE DISTRIBUTION	CHAIN GUIDE	GUÍA CADENA DISTRIBUCIÓN
4	0914	0914	PATÍN TENDEUR CHAINE DITRIB.	CHAIN GUIDE	PATÍN CADENA DISTRIBUCIÓN
5	0915	0915	VIS SPECIAL TH M8	SCREW M8	TORNILLO M8
6	0916	0916	VIS SPECIAL M6	SCREW M6	TORNILLO M6
7	1892	1892	CHAINE E218 DISTRIBUTION	CAMSHAFT	CADENA DISTRIBUCIÓN
8	1511	1511	RESSORT DECOMPRESSEUR	DECOMPRESSOR SPRING	MUELLE DESCOMPRESOR AUTO
9	1510	1510	DECOMPRESSEUR	DECOMPRESSOR	DESCOMPRESOR
10	1687	1687	VIS BHC EP M5X10	SCREW M5X10	TORNILLO M5X10
11	0926	0926	DEMI SEGMENT D'ARRET	HALF LINE	SEMI SEGMENTO
12	0120	0120	RONDELLE M8	WASHER M8	ARANDELA M8
13	-----	-----	FREIN FILET ROUGE	THREAD LOCKER RED	AUTOBLOCANTE ROJO

Corps injection / Injector body / Cuerpo inyección



POS.	SE 2.5 / 3.0i F/R	FRANÇAIS	ENGLISH	ESPAÑOL
1	0595	COLLIER KC060 MANCHÓN CORP INJ.	HOSE CLAMP	BRIDA TOBERA KC060 CUERPO INYEC.
2	2194	CORP D'INJECTION 250/300	INJECTOR BODY 250/300	CUERPO INYECCIÓN 250/300
3	0377	MANCHON CULASSE/INJECTION	MANIFOLD - CYLIND. HEAD TO INJECT.	TOBERA CULATA/INYECCIÓN
4	2195	INJECTEUR 250/300	INJECTOR 250/300	INYECTOR 250/300
5	0539	SUPPORT CABLE GAZ	THROTTLE CABLE BRACKET	SOPORTE CABLE DE GAS
6	0540	COUVERCLE CORP INJECTION	INJECTOR COVER	TAPA CORPO INYECCIÓN
7	0554	VIS THEP 5X20	SCREW 5X20	TORNILLO 5X20
8	0655	VIS THEP 5X10	SCREW 5X10	TORNILLO 5X10
9	1273	RIVET	RIVET	REMACHE

Outillage / Tools / Utilajes


POS.	SE 2.5 / 3,0i F/R	FRANÇAIS	ENGLISH	ESPAÑOL
1	1821	OUTIL SUPPORT MOTEUR	ENGINE SUPPORT TOOL	ÚTIL SOPORTE MOTOR
2	R481	SERVANTE	CONTAINER	BANDEJA
3	1819	VIS MISE AU PMH	DEAD POINT SCREW	TORNILLO ÚTIL PUNTO MUERTO SUP.
4	1814	OUTIL CLOCHE EMBRAYAGE	CLUTCH HOLDER TOOL	ÚTIL CAMPANA EMBRAGUE
5	1815	OUTIL BLOC ALLUMAGE	IGNITION HOLDER TOOL	ÚTIL ENCENDIDO
6	1822	OUTIL ROULEMENT AXE POMPE À EAU	WATER PUMP BEARING TOOL	ÚTIL ROD. BOMBA DE AGUA
7	1968	OUTIL SPY POMPE À EAU	OIL SEAL WATER PUMP TOOL	ÚTIL OIL SEAL BOMBA DE AGUA
8	1816	SERRE SEGMENT	RING TOOL	ÚTIL AROS
9	R450	OUTIL MONTAGE SPY SÉLECTEUR	OIL SEAL GEAR SHIFT LEVER TOOL	ÚTIL RETÉN PALANCA CAMBIO
10	1817	OUTIL BLOC PIGNON PRIMAIRE	PINION CLUTCH SHAFT TOOL	ÚTIL PIÑÓN PRIMARIO
11	1818	SUPPORT PISTON	PISTON SUPPORT	APOYO PISTÓN
12	R462	EXTRACTEUR VOLANT	FLYWHEEL PULLER	EXTRACTOR VOLANTE
13	R464	EXTRACTEUR ANEAU	RING EXTRACTOR	EXTRACTOR ANILLO
14	R471	OUTIL DIAGNOSTIQUE INJECTION	DIAGNOSTIC TOOL INJECTOR	ÚTIL DIAGNÓSTICO INYECCIÓN
15	-----	FREIN FILET ROUGE	THREAD LOCKER RED	AUTOBLOCANTE ROJO



created by www.ciandisseny.com

SHERCO
www.sherco.com

2011

 **MICHELIN**  **Leonelli**  **MINERVA OIL**  **SKF**  **SHERCO**
Motorcycles