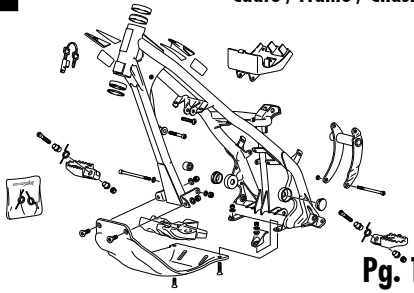
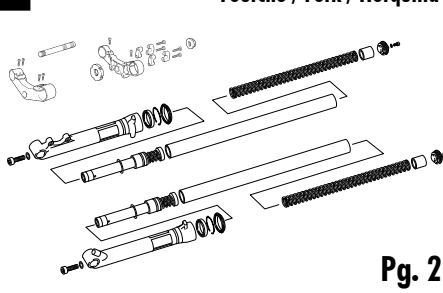
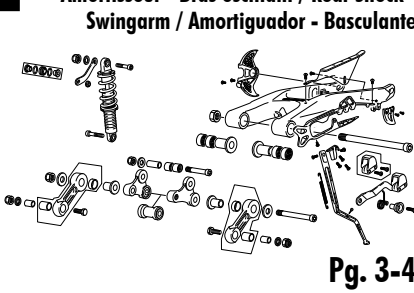
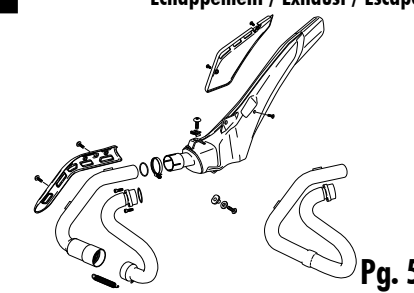
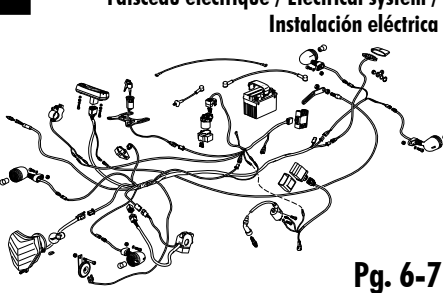
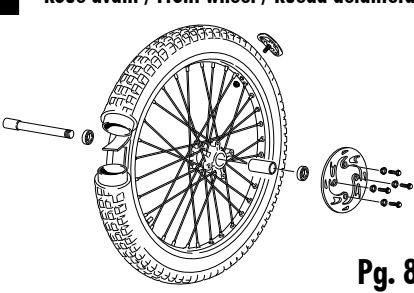
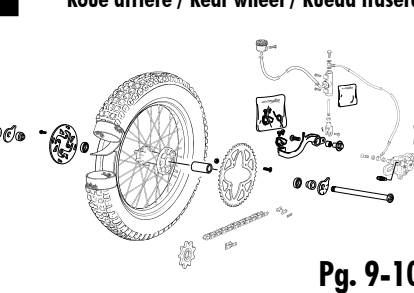
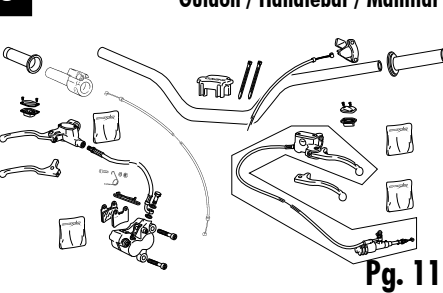
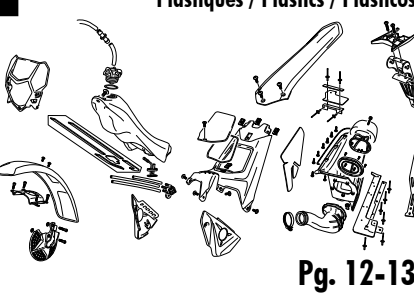
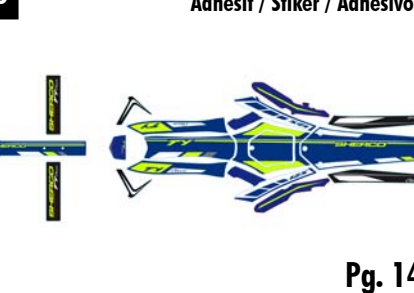
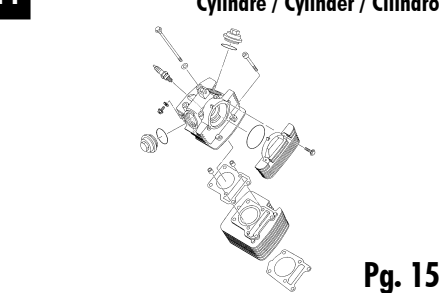
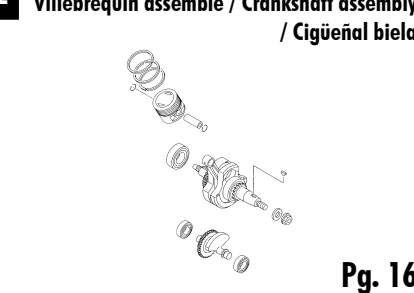
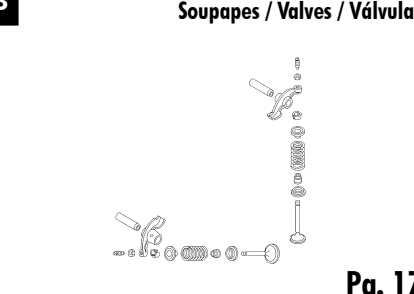
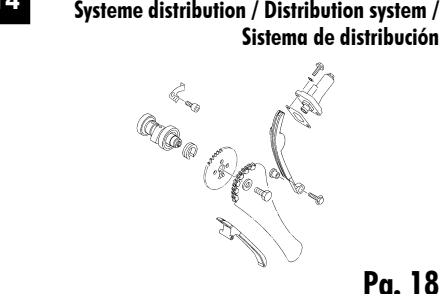
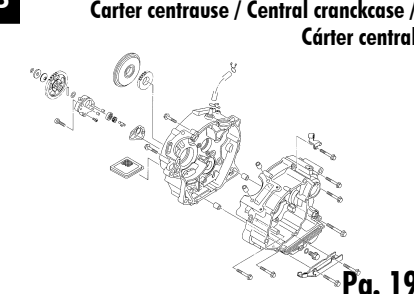


Spare part's-book **2020** **TY 125 CLASSIC**

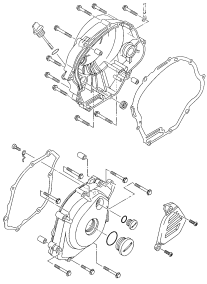
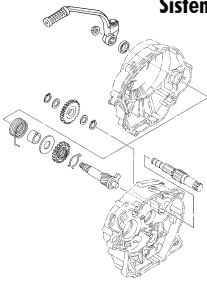
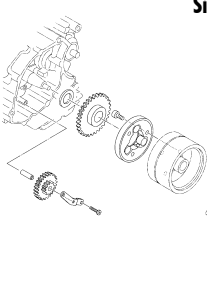
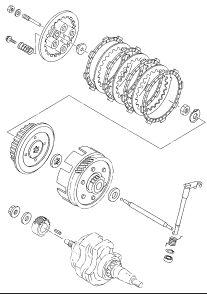
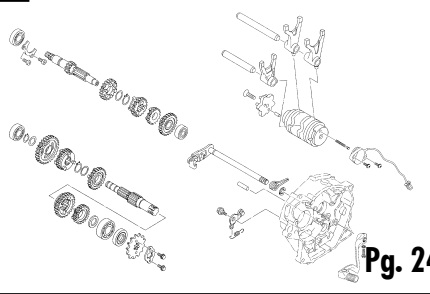
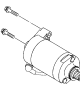
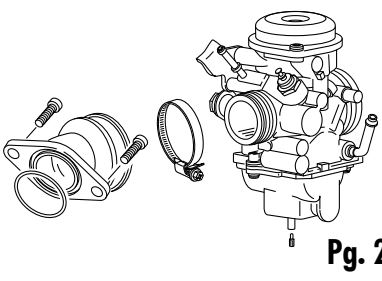
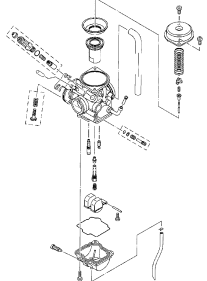
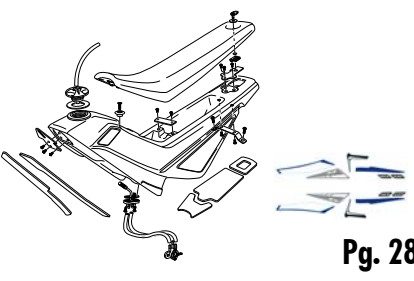


SHERCO
Motorcycles

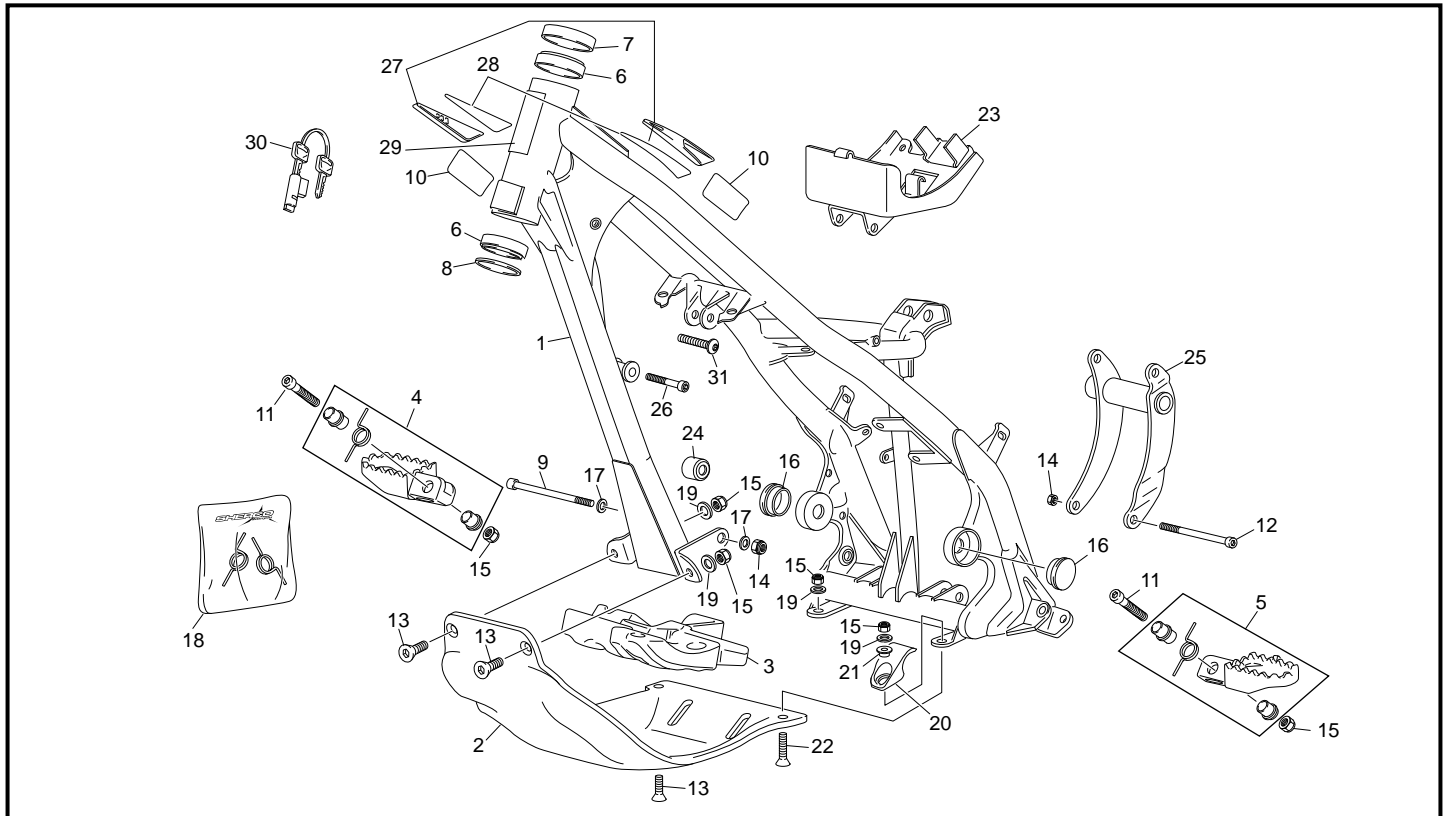
Index / Index / Índice

<p>1 Cadre / Frame / Chasis</p>  <p>Pg. 1</p>	<p>2 Fourche / Fork / Horquilla</p>  <p>Pg. 2</p>	<p>3 Amortisseur - Bras oscillant / Rear Shock - Swingarm / Amortiguador - Basculante</p>  <p>Pg. 3-4</p>
<p>4 Echappement / Exhaust / Escape</p>  <p>Pg. 5</p>	<p>5 Faisceau électrique / Electrical system / Instalación eléctrica</p>  <p>Pg. 6-7</p>	<p>6 Roue avant / Front wheel / Rueda delantera</p>  <p>Pg. 8</p>
<p>7 Roue arriere / Rear wheel / Rueda trasera</p>  <p>Pg. 9-10</p>	<p>8 Guidon / Handlebar / Manillar</p>  <p>Pg. 11</p>	<p>9 Plastiques / Plastics / Plásticos</p>  <p>Pg. 12-13</p>
<p>10 Adhesif / Stiker / Adhesivos</p>  <p>Pg. 14</p>	<p>11 Cylindre / Cylinder / Cilindro</p>  <p>Pg. 15</p>	<p>12 Villebrequin assemble / Crankshaft assembly / Cigüeñal biela</p>  <p>Pg. 16</p>
<p>13 Soupapes / Valves / Válvulas</p>  <p>Pg. 17</p>	<p>14 Systeme distribution / Distribution system / Sistema de distribución</p>  <p>Pg. 18</p>	<p>15 Carter centrause / Central crankcase / Cártier central</p>  <p>Pg. 19</p>

Index / Index / Índice

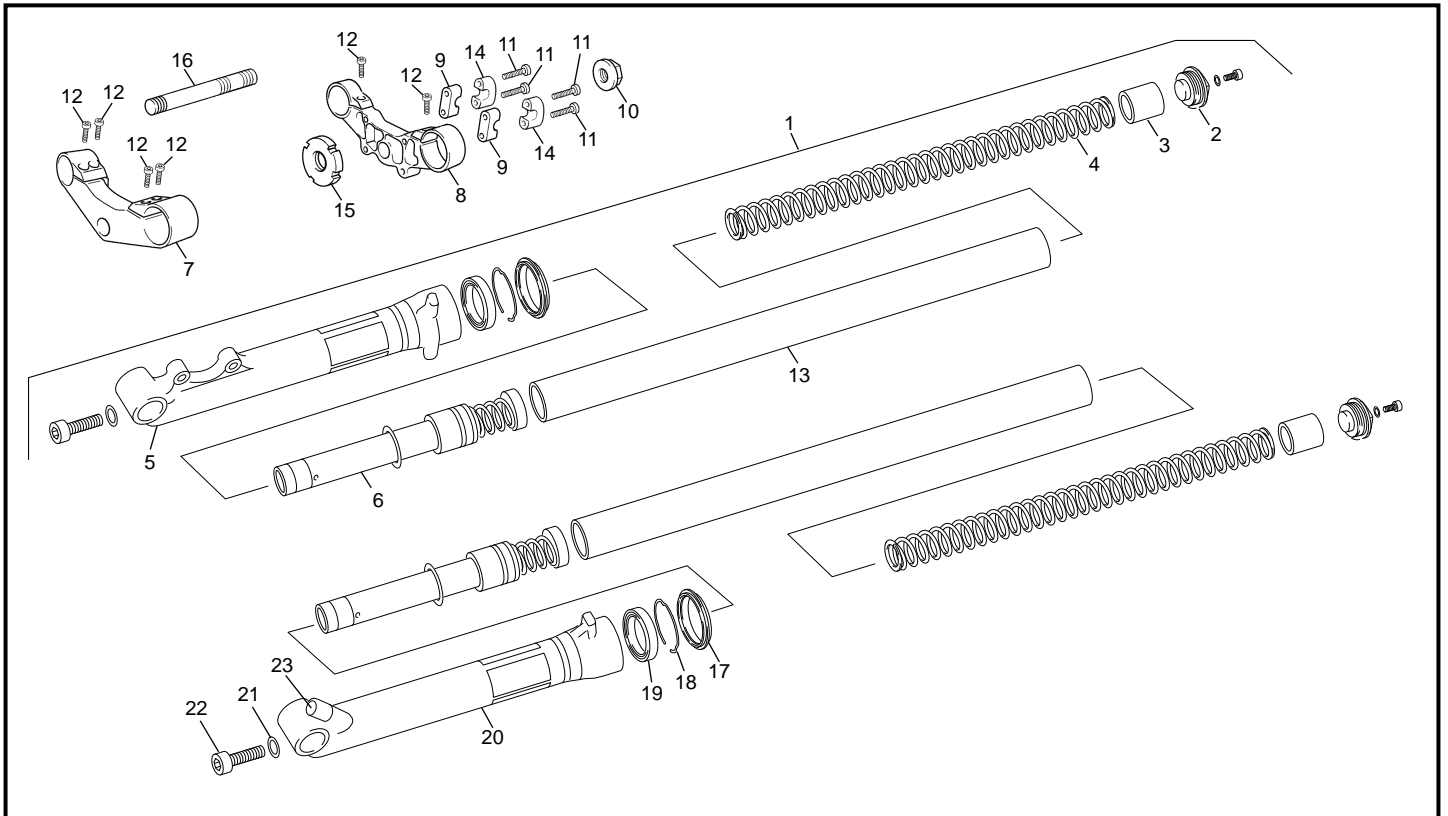
<p>16 Carter letreause / Lateral crankcase / Cártel lateral</p>  <p>Pg. 20</p>	<p>17 Systeme demarreur / Start system / Sistema de arranque</p>  <p>Pg. 21</p>	<p>18 Essemble allumage / Ignition system / Sistema de encendido</p>  <p>Pg. 22</p>
<p>19 Embrayage / Clutch / Embrague</p>  <p>Pg. 23</p>	<p>20 Transmission / Transmission / Transmisión</p>  <p>Pg. 24</p>	<p>21 Démarrreur électrique / Kicléstarter / Arranque eléctrico</p>  <p>Pg. 25</p>
<p>22 Carburateur / Carburator / Carburador</p>  <p>Pg. 26</p>	<p>23 Carburateur / Carburator / Carburador</p>  <p>Pg. 27</p>	<p>24 Kit reservoir / Kit fuel / Kit depósito</p>  <p>Pg. 28</p>

Cadre / Frame / Chasis



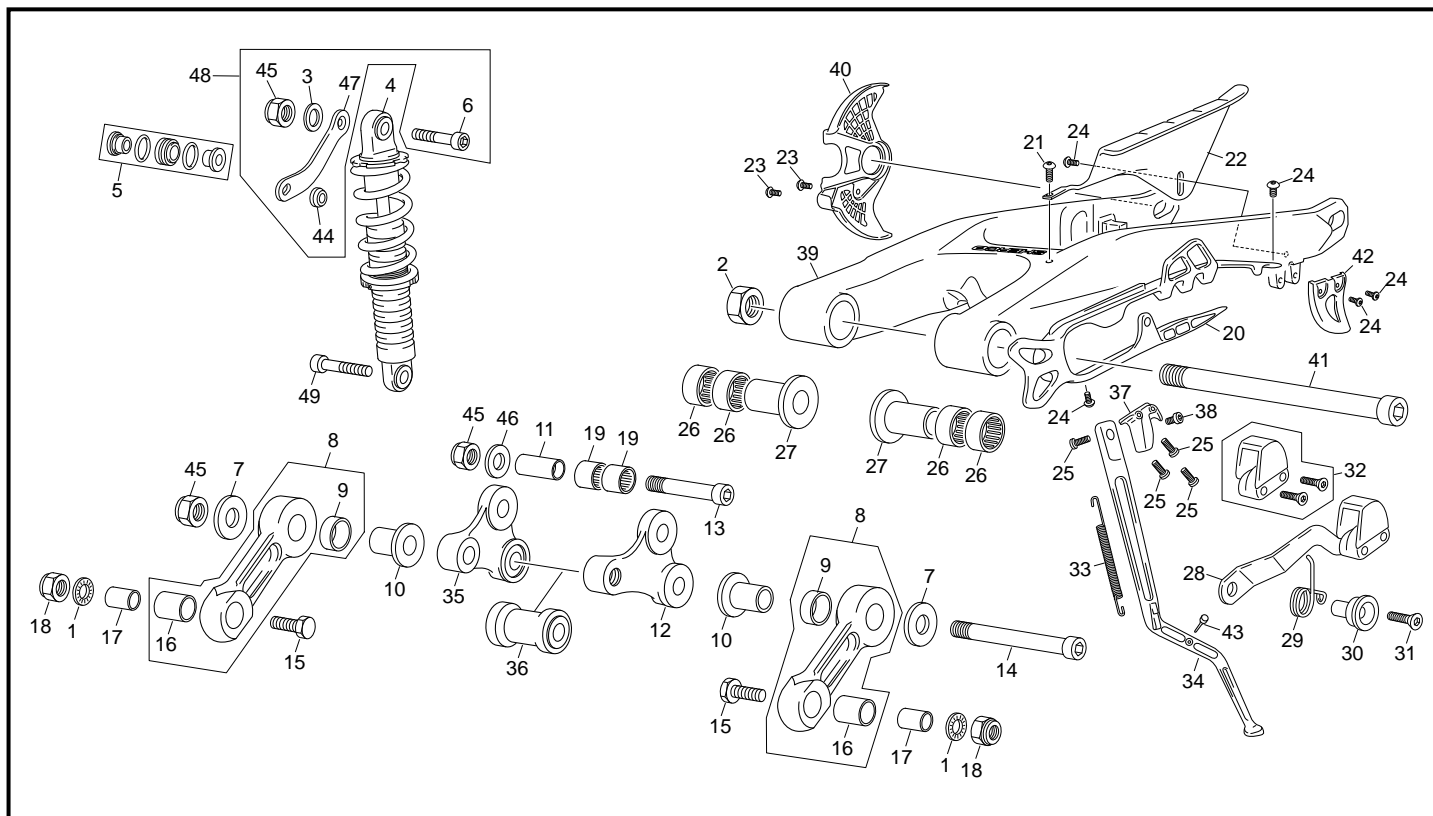
POS.	1.25	FRANÇAIS	ENGLISH	ESPAÑOL
1	7150	CADRE TY125	FRAME TY125	CHASSIS TY 125
2	7151	SABOT MOTEUR TY125	BASH PLATE TY125	PROTECTOR CARTER TY125
3	2689	CAOUTCHOUC TY125	BASH PLATE RUBBER TY125	CAUCHO PLACA MOTOR TY125
4	4547	REPOSE PIED DROITE TR NOIRE	RIGHT FOOTPEG TR BLACK	ESTRIBERA DERECHA TR NEGRA
5	4548	REPOSE PIED GAUCHE TR NOIRE	LEFT FOOTPEG TR BLACK	ESTRIBERA IZQUIERDA TR NEGRA
6	C009	ROULEMENT COLONNE DIRECTION R32004	STEERING BEARING R32004	RODAMIENTO DIRECCION R32004
7	C010	BAGUE DE PROTECTION HAUTE PLASTIC	PLASTIC DUST COVER	GUARDA POLVO SUPERIOR PLASTIC
8	C011	BAGUE DE PROTECTION BASSE	FORK ALUMINIUM WHASHER	ARANDELA GUARDA POLVO INF
9	C412	VIS CHC M8 X 100	SCREW CHC M 8 X 100	TORNILLO CHC M 8 X 100
10	C393	ADHESIF MINERVA S/PLOMB 98	PETROL MINERVA STICKER 98	ADHESIVO MINERVA S/PLOMO 98
11	M264	VIS CHC 8 X 45 0084 ZN NI TR	SCREW CHC 8 X 45 ZN NI TR	TORNILLO 8 X 45 ALLEN ZN NI TR
12	M396	VIS CHC M10 X 80 ZN NI TR	SCREW CHC M10 X 80 ZN NI TR	TORNILLO CHC M10 X 80 ZN NI TR
13	6593	VIS FHC 8 X 20	SCREW FHC 8 X 20	TORNILLO AVELLANADO M 8 X 20
14	M304	ECROU NYLSTOP M10 0368.10	NUT NYLSTOP M10	TUERCA NYLSTOP M10
15	M305	ECROU NYLSTOP M8 0368.8	NUT NYLSTOP M8	TUERCA NYLSTOP M8
16	C165	BOUCHON AXE BRAS OSCILLANT DIAM 35	COVER SWING ARM AXLE DIAM 35	TAPON EJE BASCULANTE DIAM 35
17	3021	RONDELE M10 BL DIN 7980	WASHER M10 BL DIN 7980	ARANDELA M10 BL DIN 7980
18	4872	RESSORTS REPOSE PIEDS TRIAL JEU	FOOTPEG SPRINGS KIT	MUELLES ESTRIBERAS JUEGO
19	M316	RONDELLE X 8 1405 08 ZN NI TR	WASHER X 8 ZN NI TR	ARANDELA 8 DIN 125 A ZN NI TR
20	6655	PATIN PROTECTEUR CADRE	FRAME PROTECTOR SLIDER	PATIN PROTECTOR CHASSIS
21	6654	ENTRETOISE PROTECTEUR CADRE	FRAME PROTECTOR BRUSH	CASQUILLO PROTECTOR CHASSIS
22	6658	VIS FHC 8 X 25 ZN NI TR	SCREW FHC 8 X 25 ZN NI TR	TORNILLO AVELLANADO M 8 X 25 ZN NI TR
23	7162	SUPPORT BATTERIE	BATTERY SUPPORT	SOPORTE BATERIA
24	7549	ENTRETOISE MOTEUR	SPACER FOOT ENGINE	CASQUILLO MOTOR
25	7184	SUPPORT MOTEUR ARRIÈRE	REAR ENGINE BRACKET	SOPORTE MOTOR TRASERO
26	M665	VIS CHC M8 X 60	SCREW M8 X 60	TORNILLO M8 X 60
27	6656	BUTEE PROTECTION CADRE JEU	FRAME PROTECTOR BOLCK KIT	JUEGO TOPE DIRECCION
28	6657	ADHESIF BUTEE PROTEC CADRE JEU	STICKER FRAME PROTECTOR BOLCK KIT	ADHESIVO JUEGO TOPE DIRECCION
29	7648	ADHESIF N CADRE HOMOLOGATION TY	STICKER FRAME NUM HOMOLOGATION TY	ADHESIVO N CHASSIS HOMOLOGACION TY
30	H173	ANTIVOL DIRECTION END	STEERING LOCK ENDURO	ANTIROBO DIRECCION END
31	1028	VIS BHC M8 X 35	SCREW BHC M8 X 35	TORNILLO BHC M8 X 35

Fourche / Fork / Horquilla



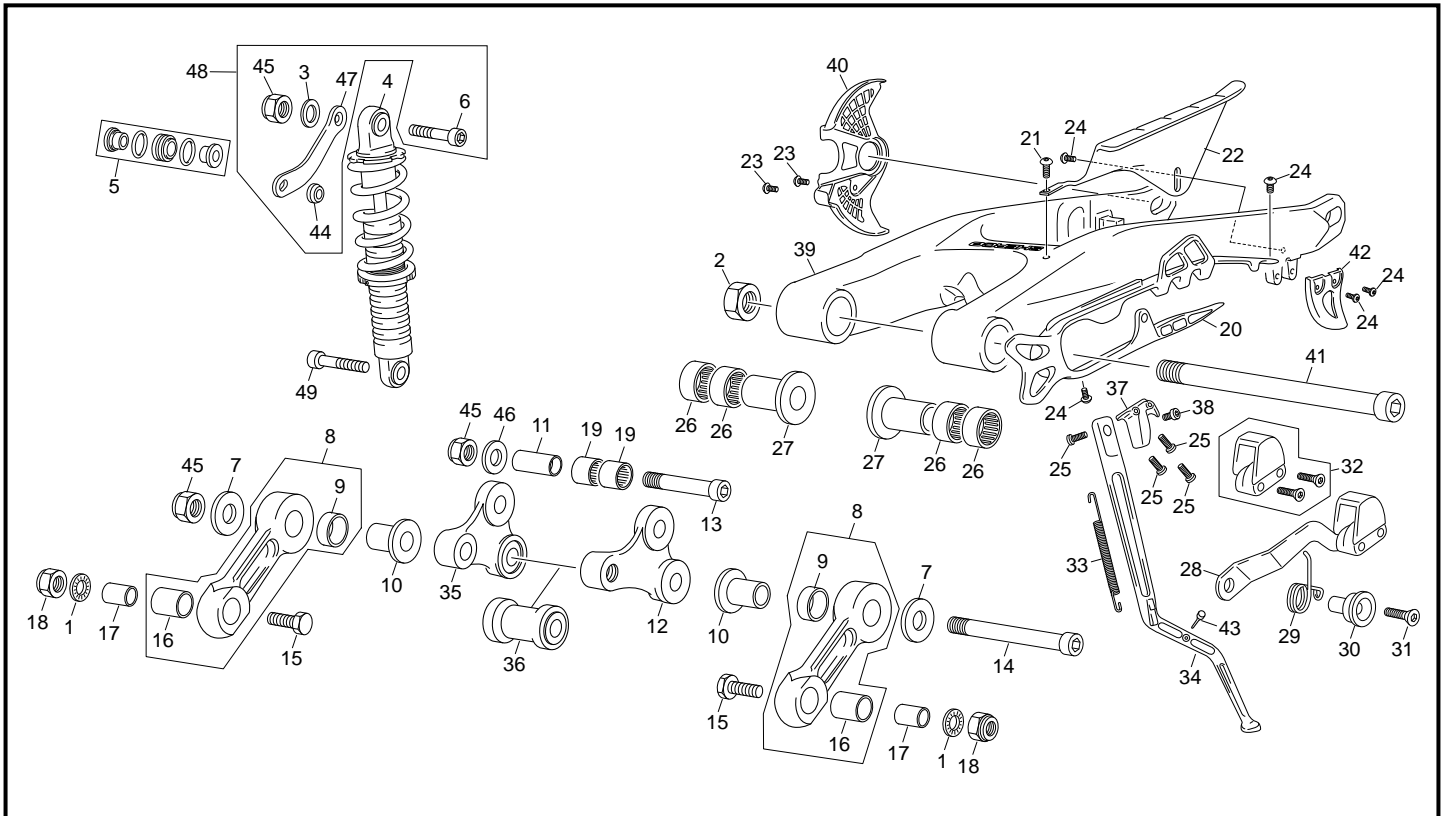
POS.	1.25	FRANÇAIS	ENGLISH	ESPAÑOL
1	6097	FOURCHE TRIAL R16V TY	FORK TRIAL R16V TY	HORQUILLA TRIAL R16V TY
2	7883	BOUCHON FOURCHE	PLUG RIGHT	TAPÓN DERECHO HORQUILLA
3	7884	ENTRETOISE DE PRECHARGE	PRELOAD SPACER	CASQUILLO DE PRECARGA
4	7885	RESSORT D40 L450	SPRING D40 L450	MUELLE D40 L450
5	7886	BAS DE FOURCHE DROIT	RIGHT BOTTOM LEG	BOTELLA HORQUILLA DERECHA
6	7887	CARTOUCHE HYDRAULIQUE COMPLET	COMPLETE HYDRAULIC CARTRIDGE	CARTUCHO HIDRAULICO COMPLETO
7	5082	T FOURCHE INF 40	BOTTOM PLAT FORK 40	PLATINA INF HORQUILLA 40
8	5083	T FOURCHE SUP 40	UPPER PLAT FORK TRIAL 40	PLATINA SUP HORQUILLA 40
9	7387	BRIDE GUIDON INFERIEURE NOIR	BRIDE INF HANDLEBAR BLACK	BRIDA INFERIOR MANILLAR NEGRO
10	R018	ECROU ALU AXE FOURCHE 2000 949125051	ALUMINIUM NUT FOR FRONT FORK AXLE	TUERCA EJE 2000
11	1237	VIS CHC 8 X 55 0084 ZN NI TR	SCREW CHC 8 X 55 ZN NI TR	TORNILLO 8 X 55 ALLEN ZN NI TR
12	M251	VIS CHC 6 X 16 0084 ZN NI TR	SCREW CHC 6 X 16 ZN NI TR	TORNILLO 6 X 16 DIN 912 ZN NI TR
13	7888	TUBE DE FOURCHE	FRONT FORK TUBE	BARRA HORQUILLA
14	7386	BRIDE GUIDON SUPERIEURE NOIR	BRIDE SUP HANDLE BAR BLACK	BRIDA SUPERIOR MANILLAR NEGRA
15	5386	RONDELLE ECROU ALU AXE DIRECTION LEGER	TOP TRIPLE CLAMP ALUMINIUM NUT LIGHT	TUERCA FIJACION ALU LIGERO
16	1166	AXE ALUMINIUM COLONE	AXIS ALUMINIUM DIRECTION PIPE	EJE ALUMINIO PIPA
17	7889	JOINT CACHE POUSSIERE	DUST COVER SEAL	RASCADOR
18	7890	CIRCLIP	CIRCLIP	ANILLO DE RETENCIÓN
19	7891	JOINT A LEVRE	LIP SEAL	RETEN
20	7893	BAS DE FOURCHE GAUCHE	LEFT BOTTOM LEG	BOTELLA HORQUILLA IZQUIERDA
21	7894	RONDELLE	WASHER	ARANDELA
22	7895	TORNILLO ALLEN M14X125	SCREW ALLEN M14X125	TORNILLO ALLEN M14X125
23	7896	TORNILLO ALLEN M8X25	SCREW ALLEN M8X25	TORNILLO ALLEN M8X25

Amortisseur - Bras oscillant / Rear Shock - Swingarm / Amortiguador - Basculante



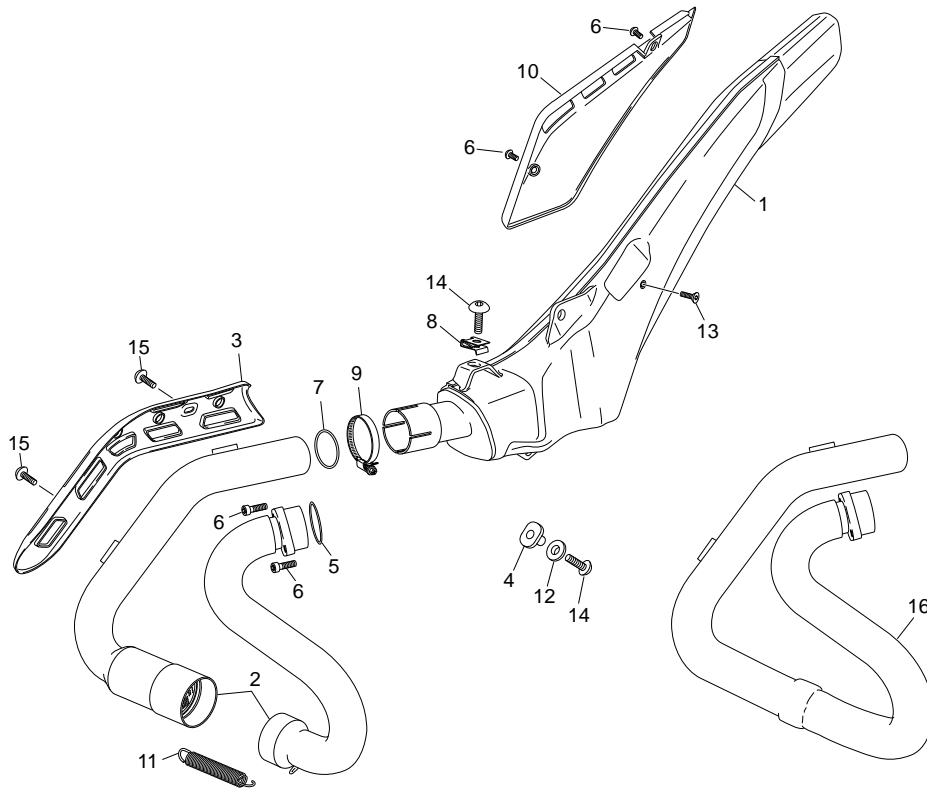
POS.	1.25	FRANÇAIS	ENGLISH	ESPAÑOL
1	1432	RONDILLE AET 8	WASHER X AET 8	ARANDELA AET 8
2	3144	ECROU 14 X 125 H 7.5 TR11	HEX NUT M14 X 125 H 7.5 TR11	TUERCA M14 X 125 H 7.5 TR11
3	M315	RONDILLE X 10 1405 010 ZN NI TR	WASHER X 10 ZN NI TR	ARANDELA X 10 DIN 125 A ZN NI TR
4	7175	AMORTISSEUR TRIAL OLLE TY	REAR SHOCK TRIAL OLLE TY	AMORTIGUADOR TRIAL OLLE TY
5	1685	KIT ROTULE AMORTISSEUR 24	SHORK ROTULE SET 24	KIT ROTULA AMORTGUADOR 24
6	7791	AXE M10 X 60	PIN M10 X 60	EJE M10 X 60
7	6621	RONDILLE 10 X 30 X 2.5 BELEVILLE ZN NI TR	WASHER 10 X 30 X 2.5 COUNTERSUNK ZN NI TR	ARAND. 10X30X2.5 DIN9021 EMBUTIDA ZN NI TR
8	3447	BIELETTE TIRANT SIMPLE TRIAL 2012	REAR SUSPENSION LINK TRIAL 2012	BIELETA SUSPENSION TRIAL 2012
9	2945	DOUILLE FRICTION 16X18X15	BEARING FRICTION 16X18X15	COJINETE FRICCIÓN 16X18X15
10	C171	ENTRETOISE TIRANT EPAULEE	LINK SPACER	CASQUILLO BIELETA CON ARANDELA
11	C152	ENTRETOISE SUSPENSION	SPACER SUSPENSION	CASQUILLO SUSPENSION
12	3445	BIELETTE DELTA SEMI G TRIAL	REAR SUSPENSION HALF L DELTA	TRAPECIO SUSPENSION SEMI I TRIAL
13	C174	AXE 10 X 72 12.9 ZN NI TR - TL 180°	PIN 10 X 72 12.9 ZN NI TR - TL 180°	EJE 10 X 72 12.9 ZN NI TR - TL 180°
14	C172	AXE 10 X 120 12.9 ZN NI TR - TL 180°	PIN 10 X 120 12.9 ZN NI TR - TL 180°	EJE 10 X 120 12.9 ZN NI TR - TL 180°
15	C175	VIS HEXA TETE BASSE 8.8 ZN NI TR	SPECIAL HEAD SCREW HEX 8.8 ZN NI TR	TORNILLO HEX C/REBAJADA 8.8 ZN NI TR
16	2946	DOUILLE FRICTION 14X16X15	BEARING FRICTION 14X16X15	COJINETE FRICCIÓN 14X16X15
17	C170	ENTRETOISE TIRANT	LINK SPACER	CASQUILLO BIELETA
18	M305	ECROU NYLSTOP M8 0368.8	NUT NYLSTOP M8	TUERCA NYLSTOP M8
19	C167	DOILLER AIGUILLE BRAS/ SUSP HK 16X20X2RS	BEARING HK 16202RS	CASQUILLO AGUJAS BASCU/SUSP HK16202RS
20	1207	PATIN DE CHAINE 07 TRIAL	CHAIN GUIDE PLATE 07 TRIAL	PATIN CADENA 07 TRIAL
21	M258	VIS BHC 5 X 16 1093 ZN NI TR	SCREW BHC 5 X 16 ZN NI TR	TORNILLO 5 X 16 ULS ZN NI TR
22	1208	CARTER DE CHAINE 07	CHAIN PROTECTOR 07	CUBRE CADENAS 07
23	M282	VIS BHC 6 X 10 1093 ZN NI TR	SCREW BHC 6 X 10 ZN NI TR	TORNILLO 6 X 10 BHC ZN NI TR
24	M278	VIS BHC 5 X 10 1093 ZN NI TR	SCREW BHC 5X10 ZN NI TR	TORNILLO 5 X 10 ULS ZN NI TR
25	M281	VIS BHC 8 X 12 1093 ZN NI TR - TL 180°	SCREW BHC 8 X 12 ZN NI TR - TL 180°	TORNILLO 8 X 12 ULS ZN NI TR - TL 180°
26	C151	DOUILLE AIGUILLE BRAS HK 20X20X2 RS	BEARING HK 20X20X2RS	CASQUILLO AGUJAS BASCULANTE HK20X20X2RS
27	C153	ENTRETOISE ARTICULATION BRAS	SPACER SWING ARM	CASQUILLO EJE BASCULANTE
28	C164	TENDEUR DE CHAINE	CHAIN TENSIONER	TENSOR CADENA
29	R205	RESSORT TENDEUR DE CHAINE	SPRING CHAIN TENSIONER	MUELLE TENSOR CADENA
30	R206	ENTRETOISE TENDEUR DE CHAINE	SPECER CHAIN ADJUST	CASQUILLO TENSOR CADENA
31	M300	VIS FHC 8 X 35 1089 ZN NI TR - TL 180°	SCREW FHC 8 X 35 ZN NI TR - TL 180°	TOR. AVELLANADO M8 X 35 ZN NI TR - TL 180°
32	R047	CAOUTCHOUC TENDEUR SEUL	CHAIN STRETCHER PLATE	GOMA TENSOR CADENA
33	C161	RESSORT DE BEQUILLE	SIDE STAND SPRING	MUELLE CABALLETE
34	4559	BEQUILLE SEULE ALU NOIR	LATERAL STAND BLACK	CABALLETE ALUMINIO NEGRO
35	3444	BIELETTE DELTA SEMI D TRIAL 2012	REAR SUSPENSION HALF R DELTA LINK TRIAL 2012	TRAPECIO SUSPENSION SEMI D TRIAL 2012

Amortisseur - Bras oscillant / Rear Shock - Swingarm / Amortiguador - Basculante



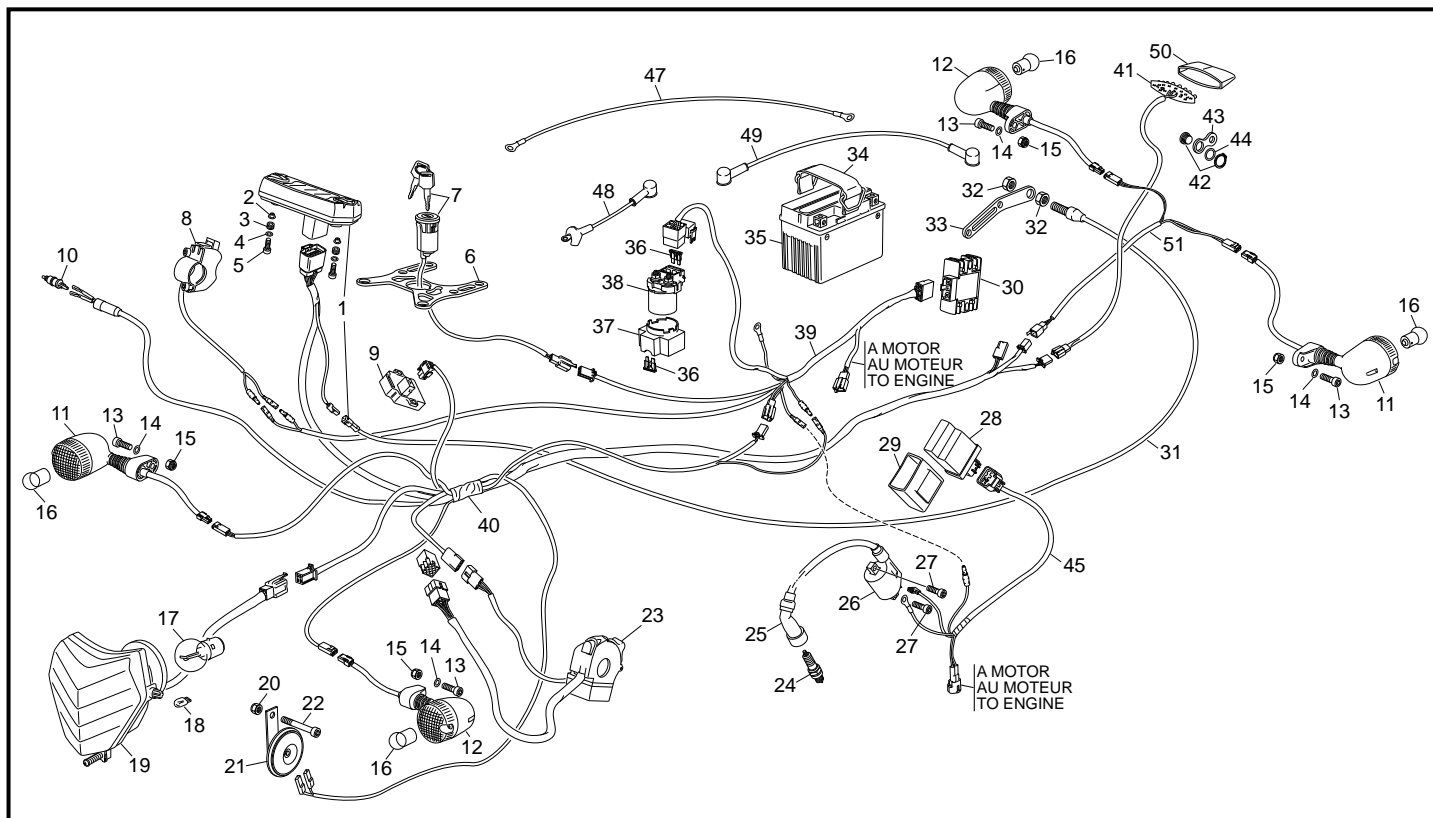
POS.	1.25	FRANÇAIS	ENGLISH	ESPAÑOL
36	3446	ENTRETOISE BIELETTE DELTA TRIAL 2012	DELTA LINK SPACER TRIAL 2012	CASQUILLO TRAPECIO SUSPENSION TRIAL 2012
37	4542	SUPPORT DE BEQUILLE SANS BUTEE NOIR	STAND HOLDER WITHOUT RETAIN BLACK	SOPORTE CABALLETE SIN TOPE NEGRO
38	C166	VIS SPECIALE BEQUILLE ZN NI TR	SIDE STAND SPECIAL BOLT ZN NI TR	TORNILLO ESPECIAL CABALLETE ZN NI TR
39	5511	BRAS OSCILLANT NOIR SC/SH	BLACK SWINGARM SC/SH	BASCULANTE NEGRO SC/SH
40	2024	PROTECTEUR DISC ARIERE 09 NOIR TR	PROTECTOR BRAKE DISC BACK 09 BLACK	PROTECTOR DISCO TRASERO NEGRO 09
41	5190	AXE BRAS OSCILLANT	ALUMINIUM SWINGARM AXLE FINE	EJE BASCULANTE ALUMINIO FINO
42	2026	PROTECTEUR COURRONE NOIR TR	PROTECTEUR SPROKET BLACK TR	PROTECTOR CORONA NEGRO TR
43	1663	CAUTCHOUC DE MAINTIEN DE BEQUILLE TRIAL 08	STAND SIDE RUBER TRIAL 08	GOMA CABALETE 08
44	7790	ENTRETOISE ÉCHAPPEMENT	EXHAUST SPACER	CASQUILLO ESCAPE
45	M304	ECROU NYLSTOP M10 0368.10	WASHER X 10 ZN NI TR	ARANDELA X 10 DIN 125 A ZN NI TR
46	M315	RONDELLE X 10 1405 010 ZN NI TR	SCREW BHC 5 X 16 ZN NI TR	TORNILLO 5 X 16 ULS ZN NI TR
47	7789	SUPPORT ÉCHAPPEMENT	EXHAUST BRACKET	SOPORTE ESCAPE
48	7892	KIT SUPPORT ÉCHAPPEMENT	EXHAUST BRACKET KIT	CONJUNTO SOPORTE ESCAPE
49	C173	AXE M10 X 46	PIN M10 X 46	EJE M10 X 46

Radiateur-Échappement / Radiator-Exhaust / Radiador-Escape



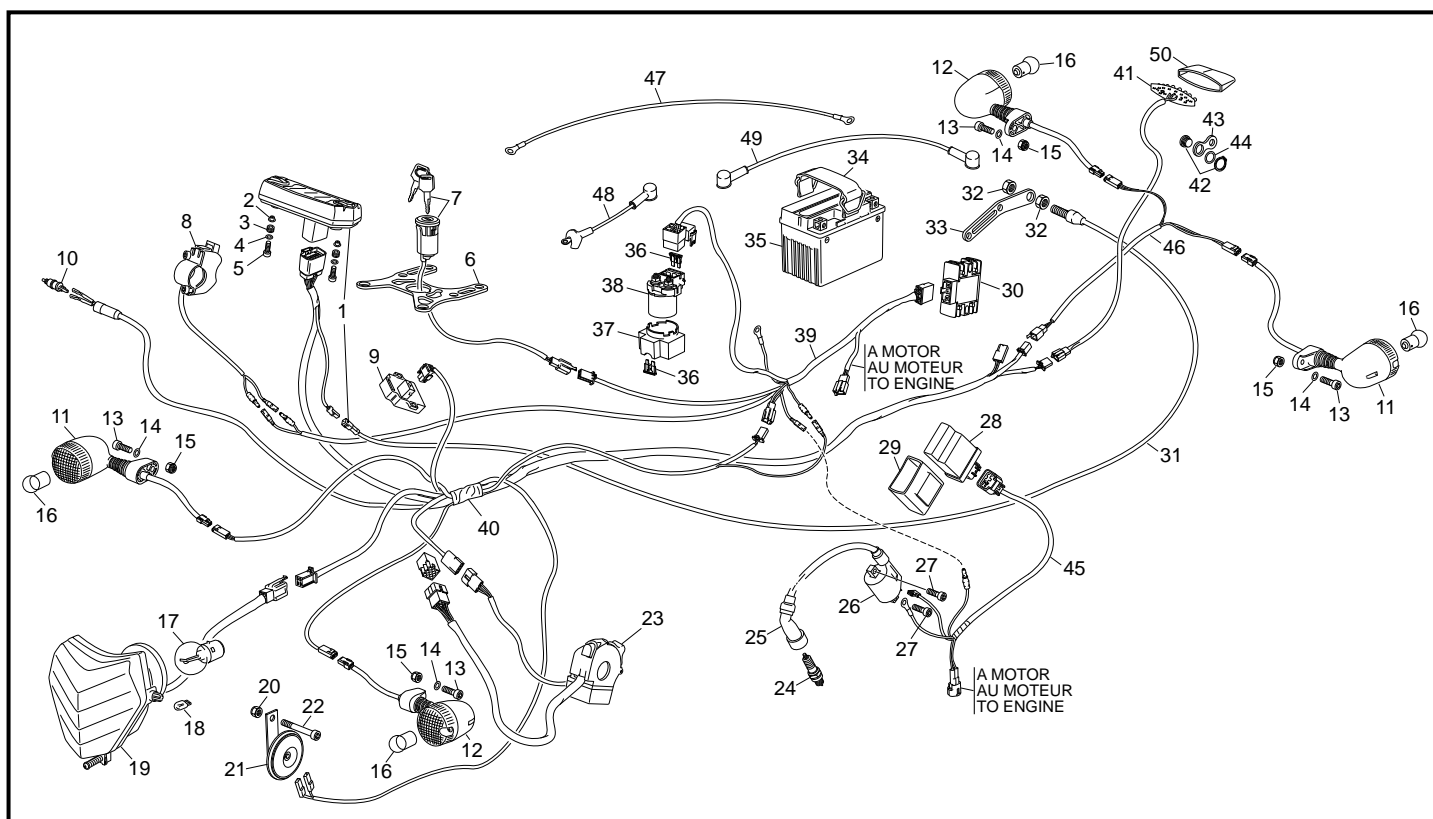
POS.	1.25	FRANÇAIS	ENGLISH	ESPAÑOL
1	7153	SILENCIEUX TY125	REAR EXHAUST TY 125	SILENCIADOR TY 125
2	7155	TUBE ECHAPPEMENT HOMOLOGUÉ TY125	HOMOLOGATED EXHAUST PIPE TY125	TUBO ESCAPE HOMOLOGADO TY125
3	7165	TOLE PROTECTION THERMIQUE	STEEL PROTECTION THERMIC	CHAPA PROTECCION CALORICA
4	3193	ENTRETOISE SILENTBLOCK	SILENTBLOCK BUSHING	CASQUILLO SILENTBLOCK
5	1766	JOINT ECHAPPEMENT	EXHAUST GASKET	JUNTA ESCAPE
6	2937	VIS BHC 5 X8 ISO 7380	SCREW BHC 5 X8	TORNILLO UL5 5 X 8 ISO 7380
7	7169	JOINT GRAPHITE 35X39X35	GRAPHITE GASKET 35X39X35	JUNTA GRAPHITE 35X39X35
8	M308	ECROU CLIP M6	CLIP NUT M6	TUERCA CLIP M6
9	7182	COLLIER 40/43	COLLIER 40/43	ABRAZADERA 40/43
10	5509	PROTECTEUR SILENCIEUX	SILENCER PROTECTION	PROTECCIÓN SILENCIADOR
11	3086	RESSORT	SPRING	MUELLE
12	3194	CAUTCHOUC SILENTBLOCK	SILENTBLOCK	SILENTBLOCK
13	6593	VIS FHC 8 X 20	SCREW FHC 8 X 20	TORNILLO FHC 8 X 20
14	M268	VIS FHC 6 X 16	SCREW FHC 6 X 16	TORNILLO FHC 6 X 16
15	M282	VIS BHC 6 X 10	SCREW BHC 6 X 10	TORNILLO 6 X 10
16	7154	TUBE ECHAPPEMENT RACING TY	EXHAUST PIPE RACING TY	TUBO ESCAPE RACING TY

Faisceau électrique / Electrical system / Instalación eléctrica

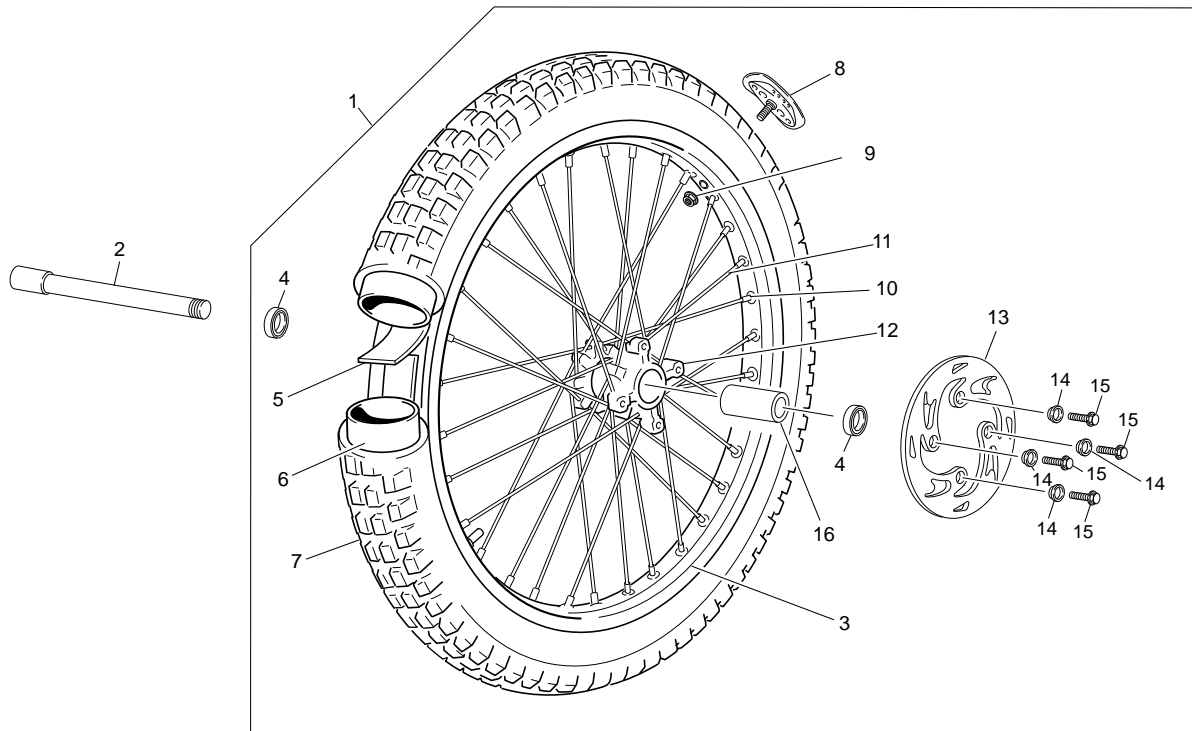


POS.	1.25	FRANÇAIS	ENGLISH	ESPAÑOL
1	7032	COMPTEUR DE VITESSE+ CAPTEUR REED 50 EURO 4	SPEEDOMETER SET END/SM EURO 4	VELOCIMETRO JUEGO END/SM EURO 4
2	7624	ENTRETOISE SILENT BLOC COMPTEUR TY125	DASHBOARD BUSH SILENTBLOCK TY125	CASQUILLO SILENTBLOCK CUENTA KM TY125
3	7623	SILENT BLOC COMPTEUR TY125	DASHBOARD SILENTBLOCK TY125	SILENTBLOCK TY125
4	M318	RONDELLE 4X12 0411	WASHER 4X12	ARANDELA 4X12
5	M267	VIS CHC 4 X 16 0084 ZN NI TR	SCREW VIS CHC 4 X 16 ZN NI TR	TORNILLO 4 X 16 ALLEN ZN NI TR
6	7550	SUPPORT COMPTEUR TY 125 FACOMSA	SPEEDO METER HOLDER TY 125 FACOMSA	SUPPORTE VELOCIMETRO TY 125 FACOMSA
7	4328	BLOC CLE DEMARRAGE T-RIDE/ X-RIDE	BLOC KEY STARTER T-RIDE/ X-RIDE	BLOC LLAVE ARRANQUE T-RIDE/ X-RIDE
8	H152	BOUTON DEMARREUR DROIT 125 END SM	RIGHT START ELECTRIC COMMANDS 125 END SM	COMANDO ARANQUE DERECHO 125 END SM
9	0364	CENTRALE CLIGNOT END 450	INDICATIVE LIGHT SYSTEM END 450	CENTRAL INTERMITENCIA END 450
10	R354	CONTACTEUR FREIN AV 50 END	FRONT BRAKE ELECTRIC CONTACT 50 END	INTERRUPTOR FRENO DEL 50 END
11	S234	CLIGNO DROIT	RIGHT TRAFICATTOR	INTERMITENTE DERECHO
12	S233	CLIGNO GAUCHE	LEFT TRAFFICATOR	INTERMITENTE IZQUIERDO
13	M251	VIS CHC 6 X 16 0084 ZN NI TR	SCREW CHC 6 X 16 ZN NI TR	TORNILLO 6 X 16 DIN 912 ZN NI TR
14	M317	RONDELLE 6 X12 0407 6 ZI NI TR	WASHER 6X12 ZI NI TR	ARANDELA 6X12 DIN 125 A ZI NI TR
15	M306	ECROU NYLSTOP M6 0368.6	NUT NYLSTOP M6	TUERCA NYLSTOP M6
16	C405	AMPOULE CLIGNO 10W 12V	BULB IND LIGHT 10W 12V	BOMBILLA INTERMITENTES 10W 12V
17	C403	AMPOULE PHILIPS PHARE HOMOL 12V 35/35W	BULB FRONT LIGHT PHILIPS HOMOL 12V 35/35W	BOMBILLA FARO PHILIPS 12V 35/35W
18	C067	AMPOULE 2001 12V 5W	BULB2001	BONBILLA 2001 12V 5W
19	3053	OPTIQUE PHARE END/SM EVO	FRONT LIGHT OPTICAL END/SM EVO	FARO DEL END/SM EVO
20	M305	ECROU NYLSTOP M8 0368.8	NUT NYLSTOP M8	TUERCA NYLSTOP M8
21	0447	CLAXON END 450	HORN END 450	CLAXON END 450
22	M265	VIS CHC 8 X 60 0084 ZN NI TR - TL 180°	SCREW CHC 8 X 60 ZN NI TR - TL 180°	TORNILLO 8 X 60 ALLEN ZN NI TR - TL 180°
23	0413	COMMODO GAUCHE END 450	SWITCH LEFT END 450	COMODO ELECTRIC END 450
24	8533	BOUGIE NGK CR6HSA 2983 TY 125	SPARK PLUG NGK CR6HSA 2983 TY 125	BUJIA NGK CR6HSA 2983 TY 125
25	8534	ANTIPARASITE NGK VD05F 8052 BLACK TY 125	SPARK PLUG CUP NGK VD05F 8052 BLACK TY 125	CTO PIPA BUJIA NGK VD05F 8052 BLACK TY 125
26	3439	BOBINE	IGNITION COIL ASSY	BOBINA
27	M252	VIS CHC 6 X 20 0084 ZN NI TR PRE IMPREGNEE MOYEN	SCREW CHC 6 X 20 ZN NI TR PRE IMPREGNEE MOYEN	TORNILLO 6 X 20 DIN 912 ZN NI TR PRE IMPREGNEE MOYEN
28	3440	CDI COMPLET TY 125 TR	CDI UNIT ASSY TY 125 TR	CDI COMPLETO TY 125 TR
29	8536	CAUTCHOUC SUPPORT CDI TY 125	RUBBER COVER CDI TY 125	CAUCHO CDI TY 125
30	3437	REGULATEUR TY125 4T	REGULATOR TY125 4T	REGULADOR TY125 4T
31	8553	CABLE SEUL COMPTEUR RED	ONLY CABLE SPEEDOMETRO RED	CABLE SOLO VELOCIMETRO RED
32	M272	ECROU EMBASE X8 0692	COLLAR HEX NUT M8	TUERCA CON VALONA M8
33	7621	SUPPORT CAPTEUR DE TOURS REED TY125	SUPPORT SPEEDOMETER SENSOR REED TY125	SOPORTE CAPTADOR CUENTA KM REED TY125
34	2545	SANGLE FIXATION BATTERIE	FIXED BATTERY BELT	CORREA FIXACION BATERIA
35	1442	BATTERIE SLA12-4 AMP 125 E3	BATTERY SLA12-4 AMP 125 E3	BATERIA SLA12-4 AMP 125 E3

Faisceau électrique / Electrical system / Instalación eléctrica

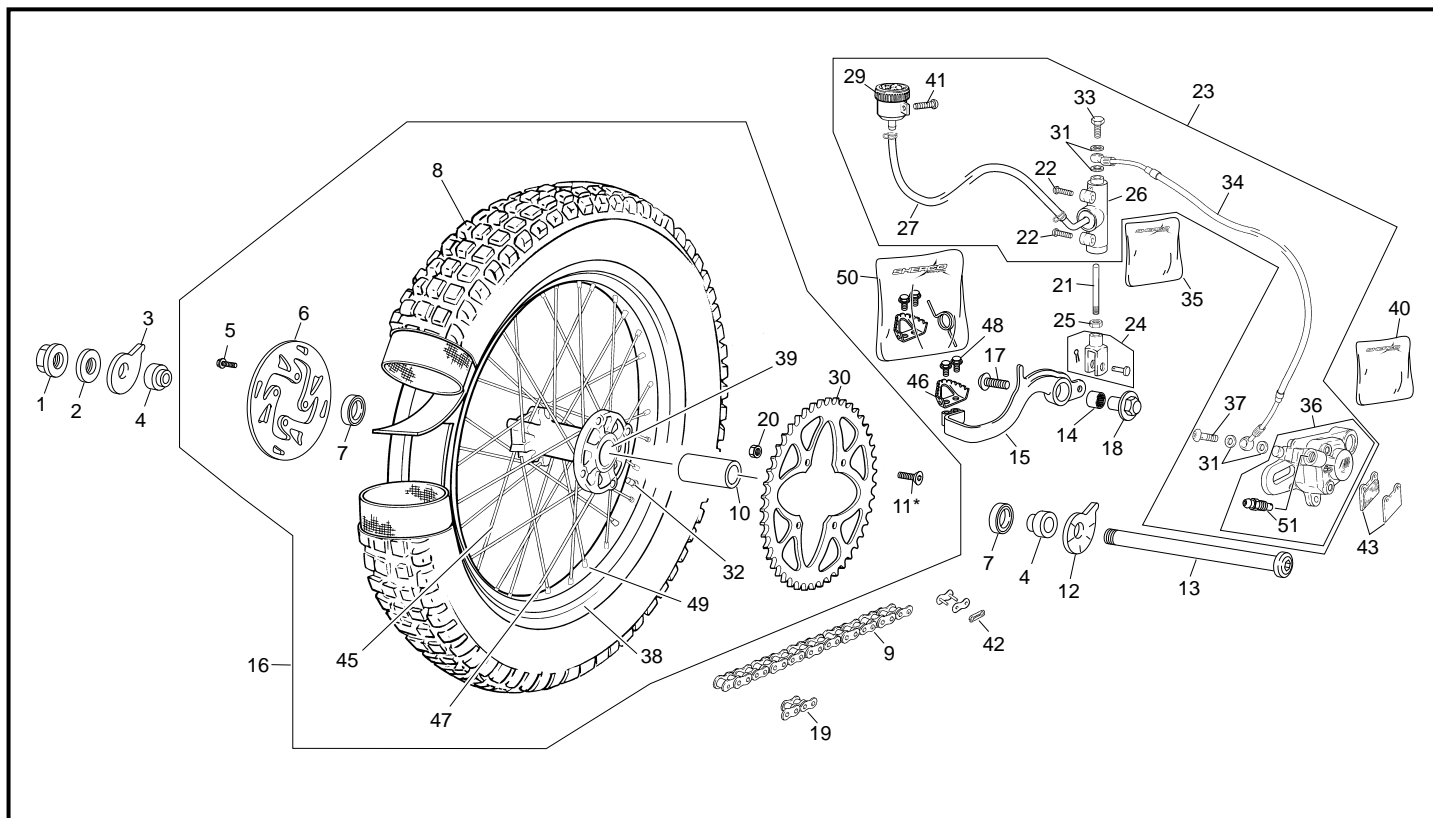


POS.	1.25	FRANÇAIS	ENGLISH	ESPAÑOL
36	0663	FUSIBLE 15 A LITLIFUSE	FUSIBLE 15 A LITLIFUSE	FUSIBLE 15 A LITLIFUSE
37	8535	CAUTCHOUX REGULATEUR TY 125	RUBBER COVER REGULATOR TY 125	CAUCHO REGULADOR TY 125
38	3438	RELE DEMARREUR TY 125 TR	STARTER RELEY TY 125 TR	STARTER RELEY TY 125 TR
39	7037	FAISCEAU ELECTIQUE PRIMAIRE TY 125 Y	WIRE HARNESS PRIMAIRE TY 125 Y	INSTALACION ELECTRICA PRIMARIA TY 125 Y
40	8040	FAISCEAU ELECTIQUE AVANT HOMO TY 125	FRONT WIRE HARNESS HOMO TY 125	INSTALACION ELECTRICA DELANT. HOMO TY 125
41	8228	LED ARRIERE LONG TR 20	REAR BULB LONG TR 20	LED TRASERO LARGO TR 20
42	8554	JEU AIMANT SEEGER CAPTEUR RED 8553	AIMANT KIT SPEEDOMETER CABLE RED 8553	KIT IMAN SEEGER CABLE VELOCIMETRO RED 8553
43	7622	SUPPORT IMANT TY125	SUPPORT MAGNET TY125	SOPORTE IMAN TY125
44	5877	JOINT TORIQUE 8 X 2 80 FKM 610	O RING 3 8 X 2 80 FKM 610	O RING 8 X 2 80 FKM 610
45	7038	FAISCEAU ELECTIQUE SECONDAIRE TY 125 Y	WIRE HARNESS SECUNDARY TY 125 Y	INSTALACION ELECTRICA SECUNDARIA TY 125 Y
46	8039	FAISEAU ELEC ARRIERE CLIGNO SEUL TRIAL+TY	INTERMITTENT REAR INSTALATION TRIAL +TY	INSTALACION ELEC TRAS INTERMITENCIA TRIAL+TY
47	7040	CABLE MOTEUR NEG NOIR XTY 125	BLACK WIRE ENGINE NEG XTY 125	CABLE MOTOR NEG NEGRO XTY 125
48	7551	CABLE POS ROUGE BAT/RELAIS XTY 125	RED WIRE BATE/RELAIS XTY 125	CABLE POS ROJO BAT/RELAIS XTY 125
49	7039	CABLE BATERIE LONG TY 12 Y	REAR LIGHT	CABLE BATERIA LARGO TY 125 Y
50	2049	FEU ARRIERE	OIL SEAL EXIT GEAR BOX TOOL 250 END	LUZ TRASERA

Roue avant / Front wheel / Rueda delantera


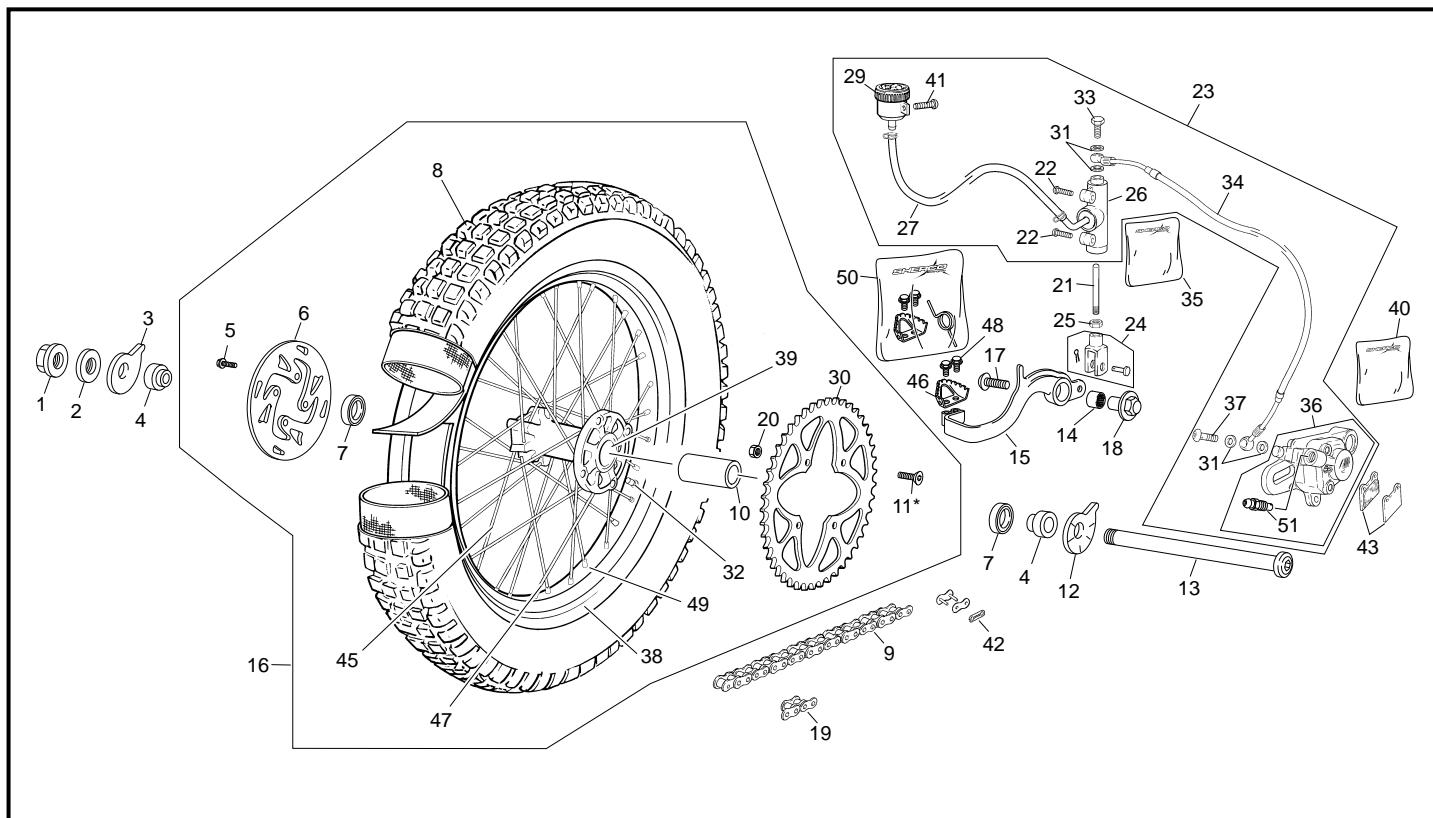
POS.	I.25	FRANÇAIS	ENGLISH	ESPAÑOL
1	7767	ROUE AVANT TR. NOIRE + MOYEU ALU	FRONT WHEEL TR BLACK + HUB ALU	FRONT WHEEL TR BLACK + HUB ALU
2	5940	AXE DE ROUE AVANT R16V	FRONT WHEEL AXLE R16V	EJE RUEDA DELANTERA R16V
3	C759	JANTE AVANT 1.60X21 32	FRONT RIM 1.60X21 32	FRONT RIM 1.60X21 32
4	0175	ROULEMENT BILLE 6004.2RSH/C3	BERING BALL 6004.2RSH/C3	COJINETE 6004.2RSH/C3
5	C201	RUBAN FOND DE JANTE R14025	RIM RUBBER PROTECTION	RIM RUBBER PROTECTION
6	C202	CHAMBRE A AIR 21AB	21 TUBE	21 TUBE
7	4352	PNEU AVANT	FRONT TIRE TRIAL	FRONT TIRE TRIAL
8	C203	GRIPSTER	TYRE STAY	TYRE STAY
9	M305	ECROU NYLSTOP M8 0368.8	NUT NYLSTOP M8	NUT NYLSTOP M8
10	R048	ECROU DE RAYON AVANT M3.5X0.60	FRONT NEEPLE SPOCKE M3.5X0.60	FRONT NEEPLE SPOCKE M3.5X0.60
11	C382	RAYON 257 X 3	SPOCKE 257 X 3	SPOCKE 257 X 3
12	C320	MOYEU AVANT	FRONT HUB	FRONT HUB
13	2001	DISQUE FREIN AVANT TR	FRONT DISC TR	FRONT DISC TR
14	C209	ENTRETOISE DISQUE AVANT	SPACER DISC	SPACER DISC
15	C452	VIS HEXAGONAL EPAULE M6 X 18	SCREW EXAGONAL M6 X 18	SCREW EXAGONAL M6 X 18
16	5930	ENTRETOISE INTERNE MOYEU AVANT TRIAL	FRONT HUB SPACER TRIAL	FRONT HUB SPACER TRIAL

Roue arrière avec système Braktec / Rear wheel with Braktec system/ Rueda trasera con sistema Braktec



POS.	1.25	FRANÇAIS	ENGLISH	ESPAÑOL
1	C253	ECROU ROUE ARRIERE	REAR AXLE NUT	TUERCA EJE RUEDA TRASERA
2	M314	RONDELLE X 16 1405 016 ZN NI TR	WASHER X 17 ZN NI TR	ARANDELA X 17 ZN NI TR
3	4595	EXCENTRIQUE DROIT NOIRE TENDEUR CHAINE	RUNNER CHAIN BLACK	EXCENTRICA DERECHA NEGRA
4	C255	ENTRETOISE ROUE ARRIERE	REAR BRUSH	SEPARADOR RUEDA TRASERA
5	C452	VIS HEXAGONAL EPAULE M6 X 18	SCREW EXAGONAL M6 X 18	TORNILLO EXAGONAL M6 X 18
6	2002	DISQUE FREIN ARRIERE TR	REAR DISC TR	DISCO FRENO TRASERO TR
7	0175	ROULEMENT BILLE 6004.2RSH/C3	BERING BALL 6004.2RSH/C3	COJINETE 6004.2RSH/C3
8	4351	PNEU ARRIERE	REAR TYRE TRIAL	NEUMATICO TRIAL
9	7178	CHAINE 128 MAILLONS	CHAIN 128 M	CADENA 128 M
10	5931	ENTRETOISE INTERNE MOYEU AR TRIAL	REAR HUB SPACER REAR TRIAL	SEPARADOR INT BUJE TRA TRIAL
11	10096*	VIS BHC M8 X 25 ZINGUE	SCREW BHC M8 X 25	TORNILLO BHC M8 X 25
12	4596	EXCENTRIQUE GAUCHE NOIRE TENDEUR CHAINE	LEFT REAR AXLE EXCENTRIC BLACK	EXCENTRICA IZQUIERDA NEGRA
13	4594	AXE ROUE ARRIERE NOIR	AXELE BACK WEEL BLACK	EJE RUEDA TRAS NEGRO
14	2299	DOUILLE BRONZE PEDALE FREIN TR	BEARING	CASQUILLO BRONCE PEDAL FRENO TR
15	7163	PEDALE DE FREIN NOIR	REAR BRAKE PEDAL BLACK	PEDAL FRENO TRASERO NEGRO
16	7768	ROUE ARRIERE TR NOIRE +MOYEU ALU	BACK WEEL TR BLACK + HUB WHITE ALU	RUEDA TRAS TR GRAFITO+BUJE ALU
17	M280	VIS BHC 8 X 16 1093 ZN NI TR - TL 180°	SCREW BHC 8 X 16 ZN NI TR - TL 180°	TORNILLO 8 X 16 ULS ZN NI TR - TL 180°
18	5076	ENTRETOISE PEDALE DE FREIN INTEGRALE	SPACER BRAKE PEDAL INTEGRAL	CASQUILLO PEDAL DE FRENO INTEGRALE
19	C304	1/2 MAILLON DE CHAINE	HALF COMPLING CONNECTION	MEDIA MALLA DE CADENA
20	M305	ECROU NYLSTOP M8 0368.8	NUT NYLSTOP M8	TUERCA NYLSTOP M8
21	C261	TIGE FREIN ARRIERE	PIN BRAKE ROD	TIJA PEDAL FRENO TRASERO
22	M283	VIS BHC 6 X 16 1093 ZI BL	SCREW BHC 6 X 16	TORNILLO 6 X 16 ULS CIN BLA
23	C321	GROUPE FREIN ARRIERE	REAR BRAKE COMPLETE	CTO FRENO TRASERO
24	C259	CHAPE PEDALE FREIN 0267	REAR BRAKE ROD	HORQUILLA PEDAL DE FRENO
25	M309	ECROU STANDARD M6 0317	NUT M6	TUERCA M6
26	C385	POMPE FREIN AR 9.5	REAR MASTER CYLINDER 9.5	BOMBA FRENO TRASERO 9.5
27	R069	TUBE LIQUIDE FREIN BOCAL/POMPE L 210	OIL TANK TUBE L 210	TUBO LIQUIDO FRENO L 210
29	R066	BOCAL LIQUIDE FREIN	OIL TANK BRAKE	DEPOSITO LIQUIDO FRENO
30	2615	COURONNE 57Z	REAR SPROKET Z57	CORONA 57D
31	R074	RONDELLE BANJO CUIVRE 10X14X1.5	WASHER COPPER 10X14X1.5	ARANDELA BANJO COBRE 10X14X1.5
32	3631	VALVE AR JANTE NER	TUBLESS VALVE RIM NER	VALVULA LLANTA NERVO
33	R058	CAPUCHON VIS DE PURGE	HOOD SCREW PURGE	TAPON SANGRADOR
34	C388	DURITE FREIN ARRIERE TRIAL	REAR BRAK HOSE TRIAL	LATIGUILLO FRENO TRASERO TRIAL
35	R233	KIT REPARATION POMPE FREIN AR TRIAL	REAR MASTER CYLINDER SEAL KIT TRIAL	KIT REPARATION PINZA FRENO TRIAL
36	C386	ETRIER FREIN ARRIERE 2002	REAR CALIPER 2002	PINZA FRENO TRASERO 2002

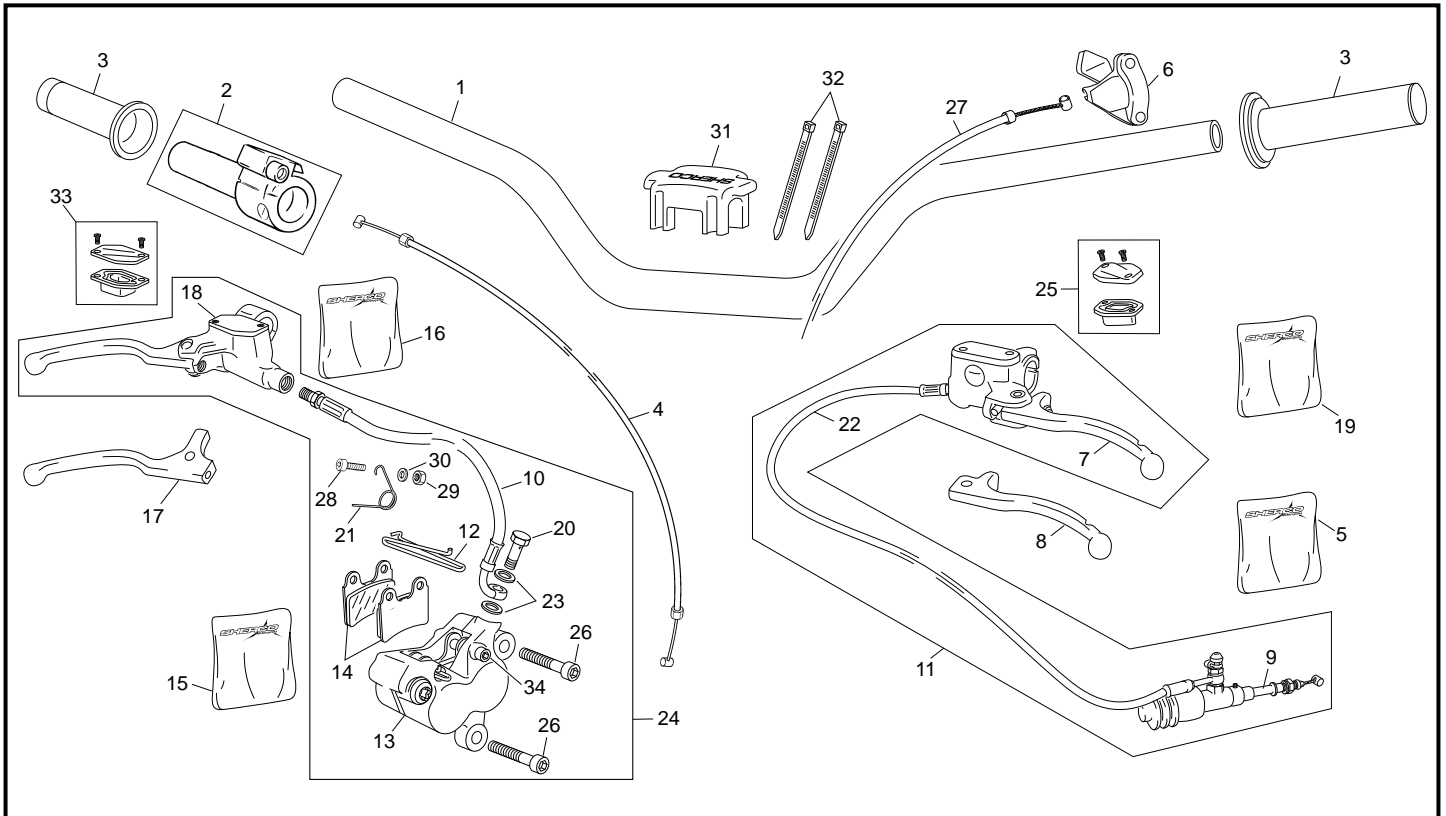
Roue arrière avec système Braktec / Rear wheel with Braktec system/ Rueda trasera con sistema Braktec



POS.	I.25	FRANÇAIS	ENGLISH	ESPAÑOL
37	R059	VIS RACCORD M10 X 21 HEXA	LINK SCREW M10 X 21 HEXA	TORNILLO RACORD M10 X 21HEXA
38	C760	JANTE ARRIERE NOIRE NERVURE 32 RAYONS	REAR RIM BLACK NERVE 32 R	LLANTA TRASERA NEGRO NERVADA 32 R
39	C323	MOYEU ARRIERE	REAR HUB	BUJE TRASERO
40	R235	KIT ETRIER ARRIERE 2002	KIT CALIPER BACK 2002	KIT PINZA FRENO TR 2002
41	M282	VIS BHC 6 X 10 1093 ZN NI TR	SCREW BHC 6 X 10 ZN NI TR	TORNILLO 6 X 10 BHC ZN NI TR
42	7870	ATTACHE RAPIDE DE CHAINE 428	428 CONNECTING LINK	428 ENGANCHE CADENA
43	C390	PLAQUETTES FREIN ARRIERE TRIAL PAIRE	REAR PAD BRAKE TRIAL PAIR	JUEGO PASTILLAS TRASERO TRIAL
45	C379	RAYON COTE DISQUE	SPOCKE SIDE BRAKE	RADIO LADO DISCO
46	2153	EMBOUT PÉDALE FREIN	POINT BREAK PEDAL	PUNTERA PEDAL FRENO
47	C380	RAYON COTE TRANS	SPOCKE SIDE TRANS	RADIO LADO CORONA
48	0655	VIS THEP M5X10	SCREW THEP M5X10	TORNILLO THEP M5X10
49	R067	TENDEUR RAYON AR	REAR NIPPLE SPOKE	TENSOR RADIO TRASERO
50	2153	EMBOUT PEDALE DE FREIN	REAR BRAKE LEVER MOUTHPIECE	PUNTA PEDAL FRENO TRASERO
51	R400	PURGEUR M6 ETRIER	PURGE SCREW M6	SANGRADOR M6 BOMBA TRAS

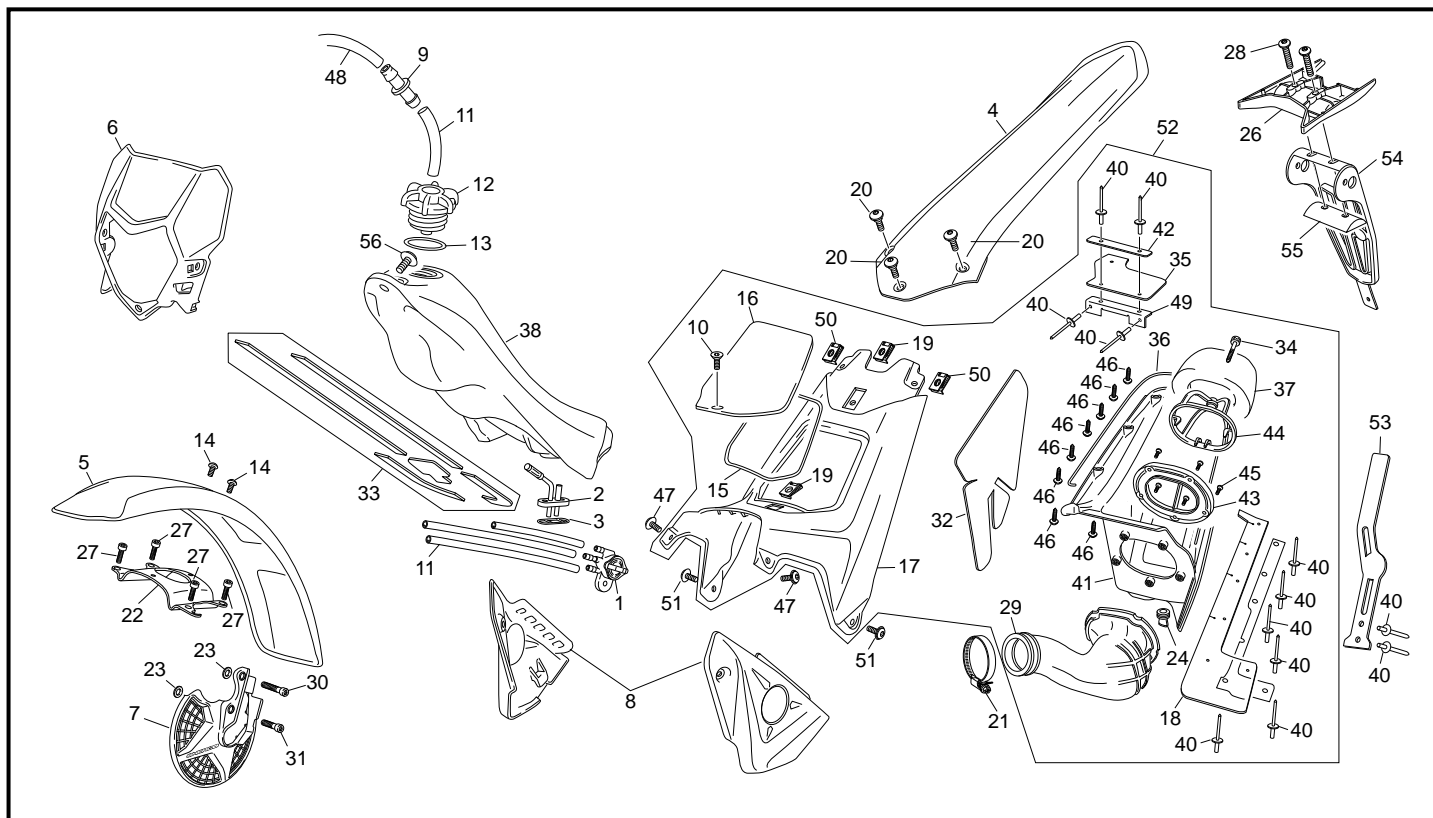
* NOUVELLE PIECE
NEW PART
PIEZA NUEVA

Guidon avec système Braktec / Handlebar with Braktec system / Manillar con sistema Braktec



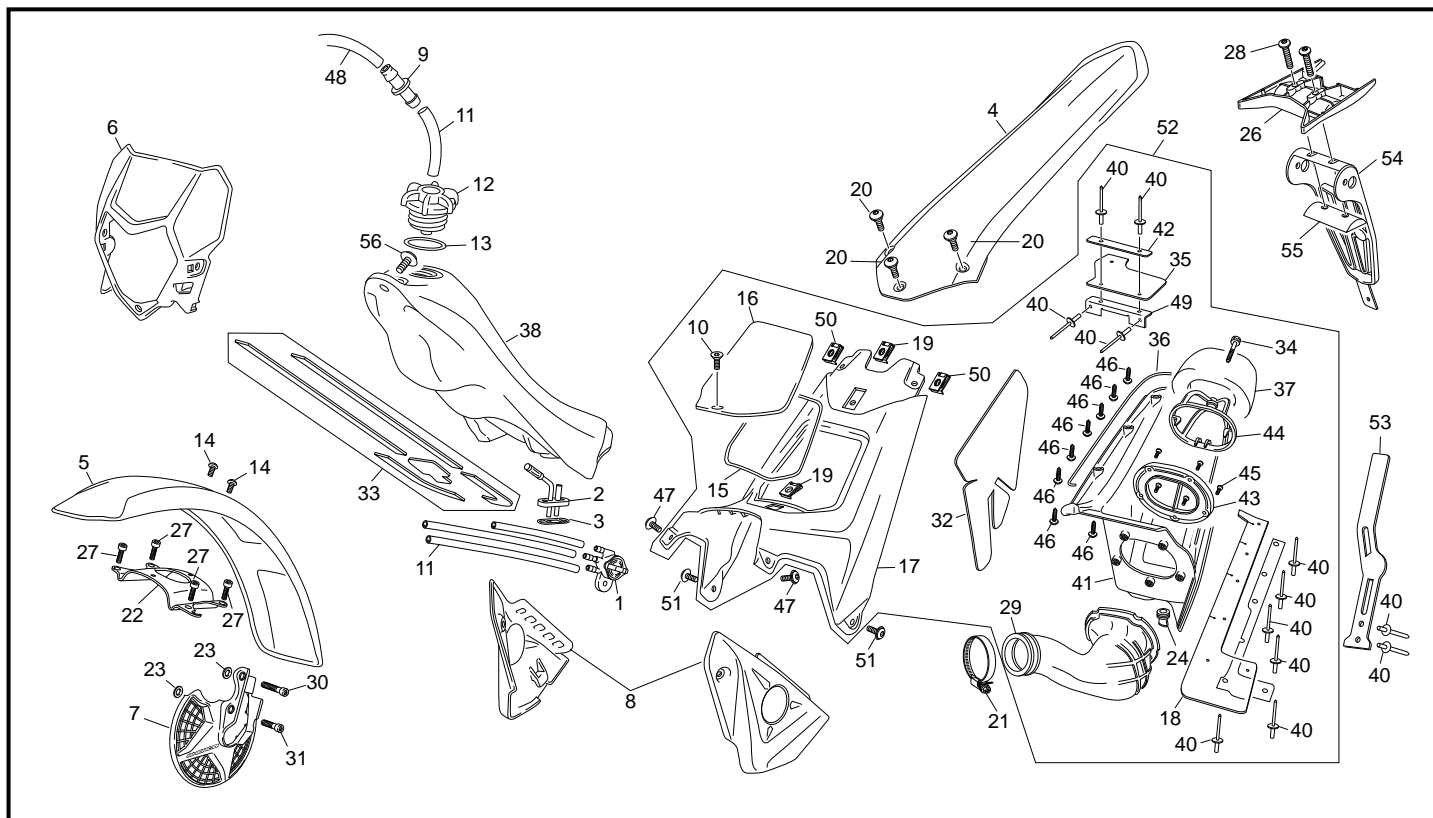
POS.	1.25	FRANÇAIS	ENGLISH	ESPAÑOL
1	5512	GUIDON TRIAL NOIR	HANDLEBAR TRIAL BLACK	MANILLAR TRIAL NEGRO
2	C074	COMMANDE DE GAZ OXIA	THROTTLE CONTROL OXIA	MANDO DE GAS OXIA
3	1662	POIGNEE CAOUTCHOUC PAIRE REA OXIA	GRIPS SET REA OXIA	JUEGO EMPUNADURAS REA OXIA
4	7173	CABLE DE GAZ	THROTTLE CABLE	CABLE DE GAS
5	7563	KIT PISTON EMETEUR	PISTON CLUTCH KIT	KIT PISTON EMPUJADOR
6	7399	COMMANDE DE STARTER	CHOKE LEVER	MANETA DE STARTER
7	7560	POMPE EMB CPL BRAKTEC BRIDE	CLUTCH FRONT PUMP ASSY BRAKTEC	CTO BOMBA EMB BRAKTEC CON BRIDA
8	5523	LEVIER EMBRAYAGE BRAKTEC	LEVER CLUCH BRAKTEC	MANETA EMBRAGUE BRAKTEC
9	7562	RECEPTEUR EMBRAYAGE ED COMPLETE	KIT COMPLET PISTON SLAVE ED	EMPUJADOR EMBRAGUE ED COMPLETO
10	5531	DURITE FREIN AVANT BRAKTEC	FRONT BRAKE HOSE BRAKTEC	LATIGUILLO FRENO DELANTERO BRAKTEC
11	7171	GROUPE CPL EMB BRAKTEC	COMPLETE CLUTCH SET BRAKTEC	GRUPO EMBRAGUE COMPLETO BRAKTEC
12	R042	CLIP PLAQUETTES	CLIP PAD BRAKE	MUELLE PASTILLAS FRENO
13	5524	CORPS ETRIER FREIN AVANT DOUBLE PIST. BRAKTEC	BODY FRONT CALIPER 2 PISTON BRAKTEC	CUERPO PINZA FRENO DEL DOBLE PISTON BRA.
14	C389	PLAQUETTES FREIN AVANT PAIRE 2002	FRONT PAD BRAK PAIR 2002	JUEGO PASTILLAS FRENO DEL JUEGO 2002
15	5525	KIT REPARATION PISTON POMPE BRAKTEC	PISTON KIT 10 MM BRAKTEC	KIT REPARACION PISTON BOMBA BRAKTEC
16	6600	KIT REPARATIONJ PIST. POMPE FREIN AV BRAKTEC	FRONT BRAKE PISTON KIT BRAKTEC	KIT REPARACION PISTON BOMBA FRENO BRA.
17	5519	LEVIER FREIN AVANT BRAKTEC	FRONT BRAKE LEVER BRAKTEC	MANETA FRENO DEL BRAKTEC
18	6599	POMPE FREIN AV CPL AV BRIDE BRAKTEC	FRONT PUMP ASSY BRAKTEC	BOMBA FRENO DEL CON BRIDA BRAKTEC
19	7561	KIT REPARATION PISTON EMB BRAKTEC ED	PISTON CLUTCH KIT BRAKTEC ED	KIT REPARACION PISTON EMBRAGUE BRAKTEC ED
20	R059	VIS RACCORD M10 X 21 HEXA	LINK SCREW M10 X 21 HEXA	TORNILLO RACORD M10 X 21 HEXAGONAL
21	R043	GUIDE DURITE FREIN AV	GUIDE FRONT BRAKE HOSE	GUIA LATIGUILLO
22	7564	DURITE EMBRAYAGE TY	CLUTCH HOSE TY	LATIGUILLO EMBRAGUE TY
23	2860	RONDELLE BANJO M8 (VOIR 2860)	ALUMINIUM SEAL M8 (SEE 2860)	ARANDELLA BANJO M8 (VER 2860)
24	7877	GROUPE FREIN AVANT TY	FRONT BRAKE GROUP TY	CTO FRENO DELANTERO TY
25	5522	KIT RESERVOIR POMPE EMB BRAKTEC	RESERVOIR KIT FORMULA BRAKTEC	KIT TAPA DEPOSITO BOMBA EMB BRAKTEC
26	M265	VIS CHC 8 X 60	SCREW CHC 8 X 60	TORNILLO ALLEN 8 X 60
27	7174	CABLE STARTER TY125	STARTER CABLE TY125	CABLE STARTER TY125
28	M283	VIS BHC 6 X 16	SCREW BHC 6 X 16	TORNILLO 6 X 16
29	M306	ECROU NYLSTOP M6	NUT NYLSTOP M6	TUERCA NYLSTOP M6
30	M317	RONDELLE 6 X 12	WASHER 6 X 12	ARANDELA 6 X 12
31	1227	MOUSSE GUIDON TRIAL SHERCO	FOAM HANDLEBAR SHERCO	ESPUMA MANILLAR TRIAL SHERCO
32	1246	COLLIER RISLAN 7.5 X 200	COLLIER 7.5 X 200	ABRAZADERA 7.5 X 200
33	5518	KIT RESERVOIR POMPE FREIN BRAKTEC	FRONT BRAKE GROUP BRAKTEC	CTO DEPOSITO FRENODELANTERO BRAKTEC
34	R236	AXE ETRIER FREIN AV DL/PISTON	PIN FRONT CALIPER DL PISTON	EJE PINZA FRENO DL/PISTON

Plastiques / Plastics / Plásticos

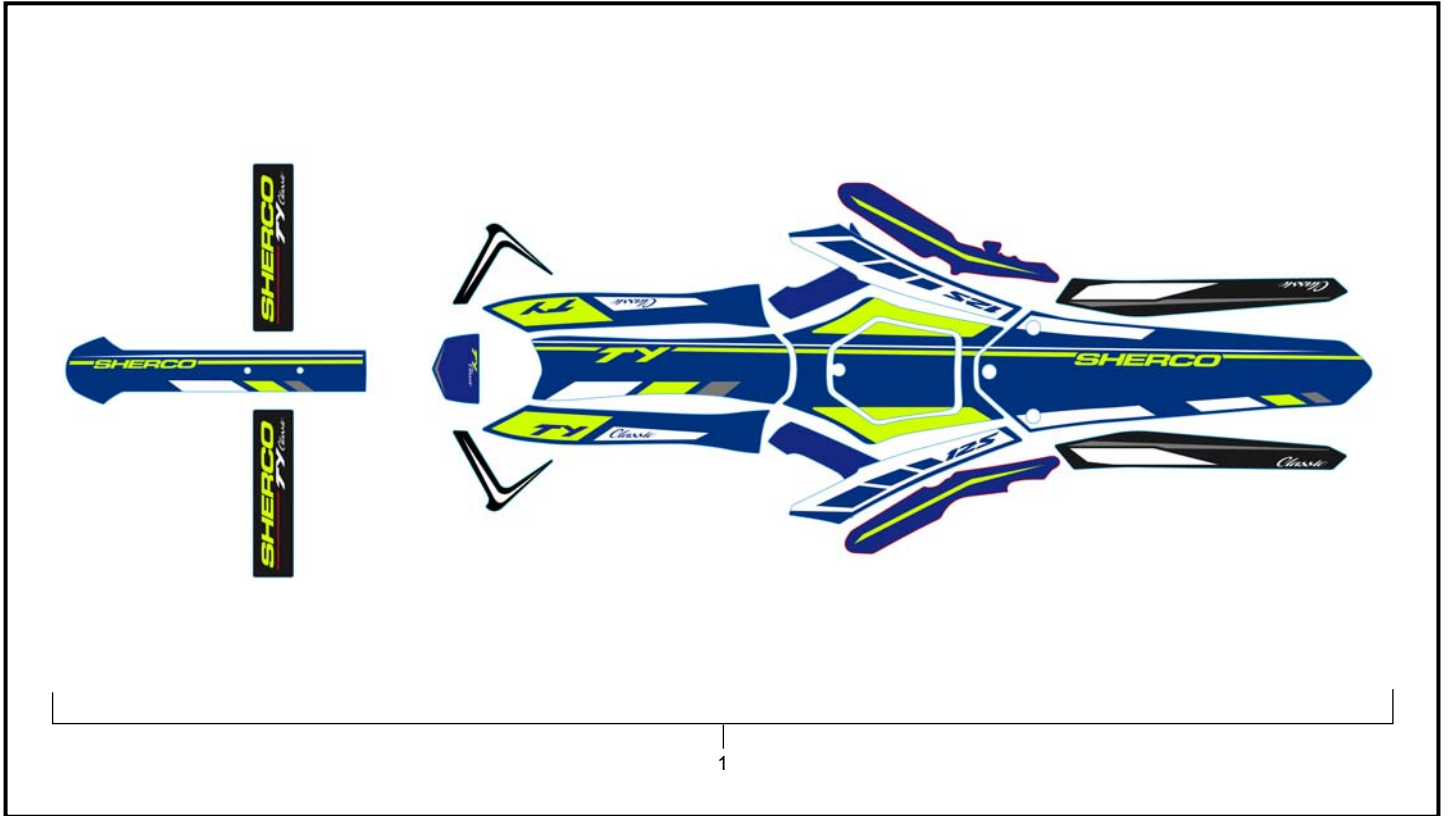


POS.	1.25	FRANÇAIS	ENGLISH	ESPAÑOL
1	7157	ROBINET ESSENCE	PETROL TAP	GRIFO GASOLINA
2	7180	COLLECTEUR D'ESSENCE	FUEL COLLECTOR	COLECTOR DE GASOLINA
3	7988	JOINT COLLECTEUR D'ESSENCE	FUEL COLLECTOR GASKET	JUNTA COLECTOR DE GASOLINA
4	7552	PARE BOUE ARRIERE NOIR TY	REAR MUDGUARD BLACK TY	GUARDABARRO TRASERO NEGRO TY
5	5488	PARE BOUE AVANT NOIR TR SCORPA	FRONT MUDGUARD BLACK TR SCORPA	GUARDABARRO DELANTERO NEGRO TR SCORPA
6	7458	PLAQUE PHARE NOIRE	FRONT LIGHT BLACK	PLACA FARO NEGRA
7	5341	PARE DISQUE AV NOIR TR TECH	DISC COVER FRONT BLACK TR TECH	PROTECTOR DISCO NEGRO DEL. TR TECH
8	7158	COUVERCLES LATÉRAUX GAUCHE ET DROITE	LEFT AND RIGHT LATERAL COVERS	TAPAS LATERALES DERECHA Y IZQUIERDA
9	5725	VALVE ANTI RETOUR PASTIQUE	ANTI RETURN VALVE PLASTIK	VALVULA ANTI RETORNO PLASTICO
10	5581	VIS FHC M6X15 DIN 7991 10.9 ZN NOIR	SCREW FHC M6X15 DIN 7991 10.9 ZN BLACK	TOR. FHC M6X15 DIN 7991 10.9 ZN NEGRO
11	7758	DURITE ESSENCE	FUEL TUBE	TUBO GASOLINA
12	5481	BOUCHON ESSENCE SC/SH	PETROL CAP SCORPA SC/SH	TAPON GASOLINA SCORPA SC/SH
13	5483	JOINT BOUCHON ESSENCE TRIAL SC/SH	SEAL PETROL CAP TRIAL SC/SH	JUNTA TAPON GASOLINA TRIAL SC/SH
14	2937	VIS BHC 5 X8 ISO 7380 ZN NI TR	SCREW BHC 5 X8 ZN NI TR	TORNILLO ULS 5 X 8 ISO 7380 ZN NI TR
15	5502	GOME ETANCHEITE COUVERCLE FILTRE SC. 4X492	SEALING RUBBER COVER FILTER BOX SC. 4X492	GOMA ESTANQUEIDAD TAPA FILTRO SC. 4X492
16	5499	COUVERCLE FILTRE SCORPA	AIR FILTER BOX COVER SCORPA	TAPA FILTRO SCORPA
17	5580	SUPPORT BOITIER FILTRE SCORPA 2015	AIR BOX HOLDER SCORPA 2015	SOPORTE CAJA FILTRO SCORPA 2015
18	5484	BAVETTE AM SC/SH	REAR SHOCK COVER SC/SH	PROTECTOR AMORTIGUADOR SC/SH
19	M308	ECROU CLIP M6 0500500400	NUT CLIP M6	TUERCA CLIP M6
20	3953	VIS CARROSSERIE 6 X 16 ALU NOIR	SCREW BHC 6 X 16 CARROSSERIE ALU BLACK	TORNILLO CARROCERIA 6 X 16 ALU NEGRO
21	C110	COLLIER NORMA 32/50	COLLARD NORMA 32/50	ABRAZADERA NORMA 32/50
22	5643	ARCEAU FOURCHE	FRONT MURGAR HOLDER	PUNTE HORQUILLA
23	C031	ENTRETOISE PARE DISQUE	SPACER DISC COVER	SEPARADOR CUBREDISCOS DELANTERO
24	1167	VALVE CAISSE FILTRE	VALVE BOX FILTER	VALVULA CA JA FILTRO
25	M343	VIS BHC 6 X 35 1093	SCREW BHC 6 X 35 1093	TORNILLO BHC 6 X 35 1093
26	2047	FIXATION SUPPORT IMMATRICULATION TR 09	FIXATION MATRICULATION SUPPORT TR 09	SUJECION SOPORTE MATRICULA TR 09
27	2938	VIS CHC 6 X 12 0084 ZN NI TR - TL 180°	SCREW CHC 6 X 12 ZN NI TR - TL 180°	TORNILLO 6 X 12 DIN 912 ZN NI TR - TL 180°
28	2052	VIS BHC 5 X 20	SCREW BHC 5 X 20	TORNILLO 5 X 20 ULS
29	7152	RACCORD FILTRE	MANIFOLD FILTER/CARBU	TOBERA FILTRO CARBU
30	M265	VIS CHC 8 X 60 0084 ZN NI TR - TL 180°	SCREW CHC 8 X 60 ZN NI TR - TL 180°	TORNILLO 8 X 60 ALLEN ZN NI TR - TL 180°
31	M262	VIS CHC 8 X 30 0084 ZN NI TR - TL 180°	SCREW CHC 8 X 30 ZN NI TR - TL 180°	TORNILLO 8 X 30ALLEN ZN NI TR - TL 180°
32	5482	ADESIF THERMIQUE BOITE FILTRE SCORPA	SET THERMIC STICKER FILTER BOX SCORPA	PROTECTOR TERMICO CAJA DE FILTRO SCORPA
33	5672	ADHESIF PROT RESERVOIR KIT	PROTECTOR TANK STICKER KIT	ADHESIVO PROTECCION DEPOSITO KIT
34	5505	AXE FILTRE SC/SH ZINK	AXLE FILTER SC/SH ZINK	EJE FILTRO SC/SH ZINCADO
35	5507	BAVETTE INTERIEUR FILTRE SC/SH	INSIDE FILTER COVER SC/SH	PROTECTOR INTERIOR FILTRO SC/SH

Plastiques / Plastics / Plásticos

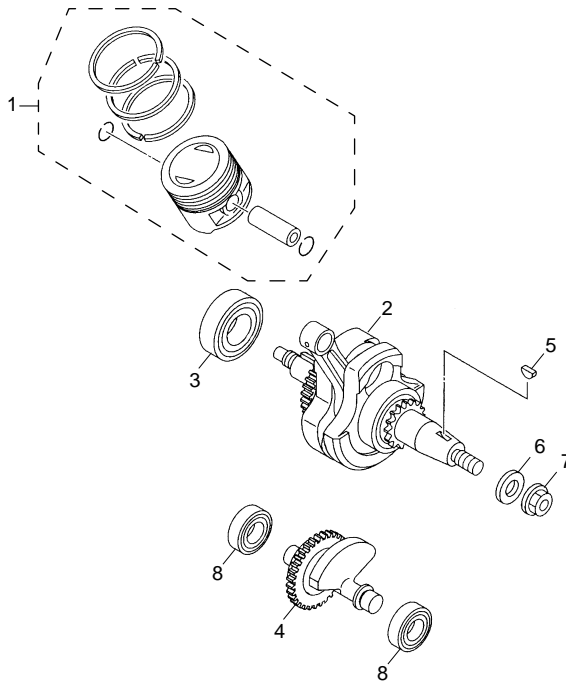


POS.	1.25	FRANÇAIS	ENGLISH	ESPAÑOL
36	5723	FIL TORIQUE OUVERT ETANCHEITE BOITE FILTRE	OPEN THREAD SEALING ORING FILTER BOX	HILO TORICA ABIERTA ESTANCO CAJA DE FILTRO
37	5578	MOUSSE DE FILTRE SC/SH 2015	FOAM FILTER SC/SH 2015	ESPUMA FILTRO SC/SH 2015
38	7159	RÉSERVOIR	PETROL TANK	DEPOSITO
39	3202	FIXATION INTERRUPTOR LUMIERE	STRAP FIX INT	LAPA FIJACION INTERRUPTOR
40	5645	RIVET 4 X 10 LARGE NOIR	RIVET 4 X 10 LARGE BLACK	REMACHE 4 X 10 ALA ANCHA NEGRO
41	5500	BOITE FILTRE SCORPA	AIR FILTER BOX SCORPA	CAJA DE FILTRO SCORPA
42	6135	CHAPE DE FIXATION CAUCHOUX SCORPA FACT.	FIXING PLATE RUBBER AIR BOX SCORPA FACTORY	CHAPA SUJECCIÓN GOMA SCORPA FACTORY
43	5501	SUPPORT FILTRE TRIAL SC/SH	SUPPORT AIR FILTER BOX TRIAL SC/SH	SOPORTE FILTRO TRIAL SC/SH
44	5504	GRILLE MOUSE FILTRE TRIAL SC/SH	SUPPORT FOAM FILTER TRIAL SC/SH	REJILLA ESPUMA FILTRO TRIAL SC/SH
45	5582	VIS FHC M5X16 DIN 7991 10.9 ZN NI TR	SCREW FHC M5X15 DIN 7991 10.9 ZN NI TR	TORNILLO FHC M5X15 DIN 7991 10.9 ZN NI TR
46	5635	VIS 3,5 X 12 BOITE FILTRE	SCREW 3,5 X 12 FILTER BOX	TORNILLO 3,5 X 12 CAJA DE FILTRO
47	4524	VIS BHC 6X12 ISO 7380 10.9 ZN NOIR CARROSS.	SCREW BHC 6X12 ISO 7380 10.9 ZN BLACK BODY	TOR. BHC 6X12 ISO 7380 10.9 ZN NEG. CARROC
48	5752	DURITE MISE A L' AIR SCORPA LONGUE	PETROL TUBE SCORPA LONG	TUBO RESPIRADERO SCORPA LARGO
49	6131	SUPPORT CAUTCHOUX BOITE FILTRE	AIR BOX RUBBER SUPPORT	SOPORTE GOMA CAJA FILTRO
50	5771	ECROU CLIP M6 NOIR	NUT CLIP M6 BLACK	TUERCA CLIP M6 NEGRO
51	5527	VIS BHC 6 X 16 CARROSSERIE NOIR	SCREW BHC 6 X 16 CARROSSERIE BLACK	TORNILLO 6 X 16 ESPECIAL CARROCERIA NEGRO
52	7987	BOITE FILTRE COMPLETE	BODY FILTER COMPLET	CAJA FILTRO COMPLETA
53	7257	LEVIER DE VERROUILLAGE FILTRE	FILTER LOCKING LEVER	PALANCA DE BLOQUEO FILTRO
54	2046	SUPPORT IMMATRICULATION TR 09	MATRICATION SUPPORT TR 09	SOPORTE MATRICULA TR 09
55	2048	SUPPORT FEU ARRIERE TR 09	FIXATION RED LIGHT TR 09	SOPORTE LUZ TRASER TR 09
56	M283	VIS BHC 6 X 16	SCREW BHC 6 X 16	TORNILLO 6 X 16



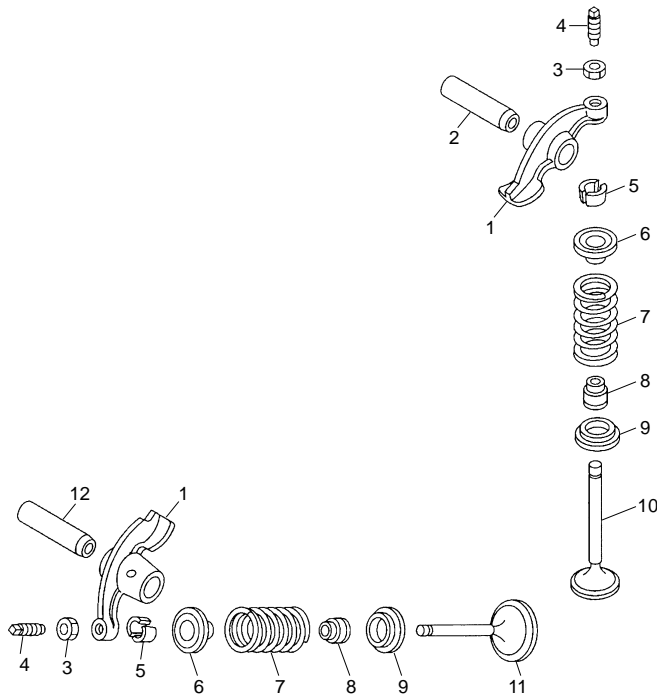
POS.	1.25	FRANÇAIS	ENGLISH	ESPAÑOL
1	7160	KIT BLISTER ADH DECORATION TY125	KIT BLISTER ADH DECORATION TY125	KIT BLISTER ADH DECORATION TY125

Villebrequin assemble / Crankshaft assembly / Cigüeñal biela



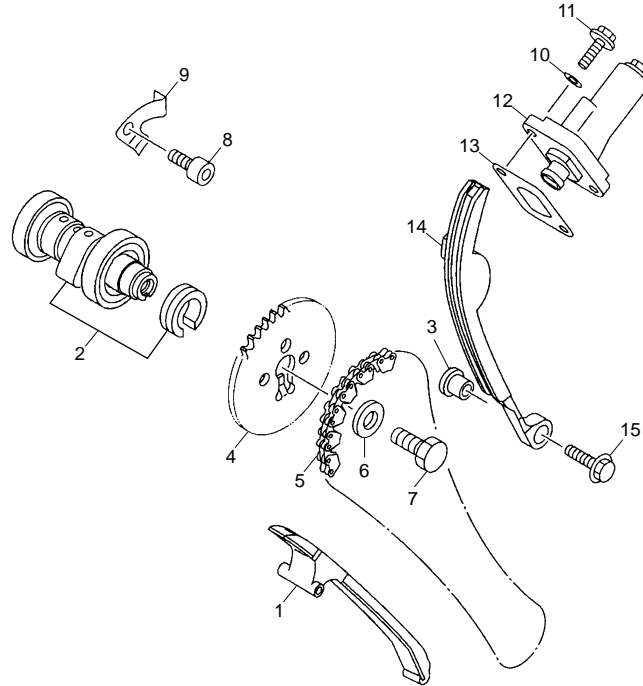
POS.	1.25	FRANÇAIS	ENGLISH	ESPAÑOL
1	8834	PISTON STD SORTE " A " NDK	PISTON STD GROUP " A " NDK	PISTON STD FAMILIA " A " NDK
1	8835	PISTON STD SORTE " B " NDK	PISTON STD GROUP " B " NDK	PISTON STD FAMILIA " B " NDK
2	9072	VILEBREQUIN ASSEMBLE	CRANKSHAFT ASSY	CIGÜEÑAL COMPLETO
3	M218	ROULEMENT VILO 6205	BEARING 6205	RODAMIENTO 6205
4	9077	MASSE D4 EQUILIBRAGE EU3	WEIGHT 1	EJE DE EQUILIBRADO
5	9073	CLAVETTE DEMI LUNE	KEY WOODRUFF	CHAVETA MEDIALUNA
6	9074	RONDELLE PLATE	WASHER PLATE	ARANDELA PLANA
7	9075	ECROUS	NUT FLANGE	TUERCA
8	9076	ROULEMENT	BEARING	COJINETE

Soupapes / Valves / Válvulas



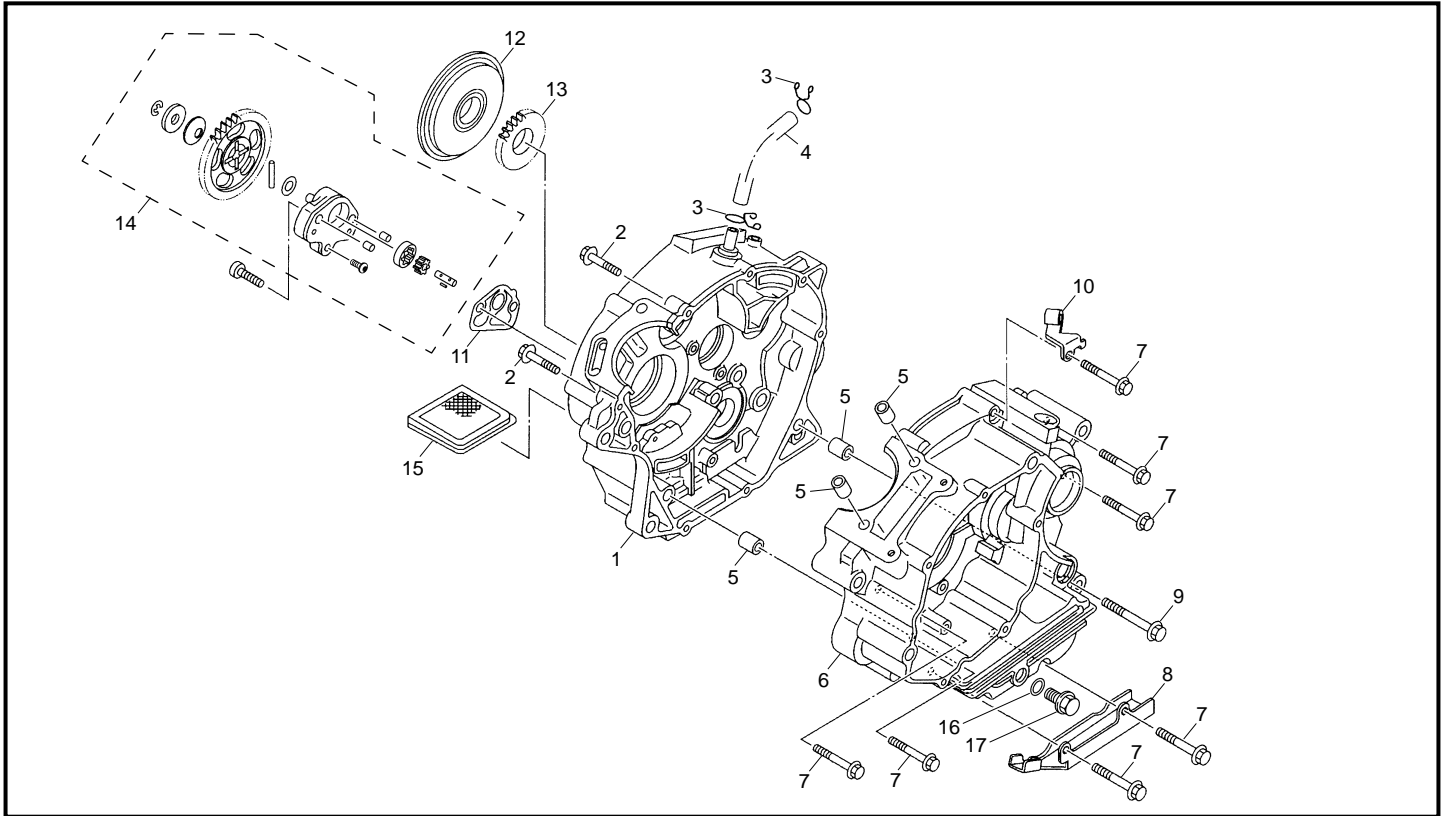
POS.	1.25	FRANÇAIS	ENGLISH	ESPAÑOL
1	9087	BASCULEUR	ARM VALVE ROCKET	BRAZO DE BALANCIN DE VALVULA
2	9088	AXE BASCULEUR ECHAPEMENT	SHAFT ROCKET EXHAUST	EJE DE BALANCIN ESCAPE
3	9203	ECROU REGLAGE VALVE	NUT VALVE ADJUSTING	TUERCA AJUSTE DE VALVULA
4	9079	VIS REGLAGE VALVE	SCREW VALVE ADJUSTING	TORNILLO DE AJUSTE DE VALVULA
5	9080	DEMI CLAVETTE SOUPAPE	COTTER VALVE	SEGURO DE VALVULA
6	9081	RONDELLE RETENUE SOUPAPE	RETAINER VALVE SPRING	RETEN RESORTE DE VALVULA
7	9082	RESSORT SOUPAPE	SPRING VALVE INNER	RESORTE VALVULA INTERNA
8	9083	LARMIER SOUPAPE	SEAL VALVE SYSTEM	RETEN VALVULA
9	9084	RONDELLE APPUI RESSORT	SEAT VALVE SPRING	ASIENTO RESORTE VALVULA
10	9085	SOUPAPE ECHAPPEMENT	VALVE EXHAUST	VALVULA DE ESCAPE
11	9086	SOUPAPE ADMISSION	VALVE INTAKE	VALVULA ADMISION
12	9089	AXE BASCULEUR ADMISION	SHAFT ROCKET INLET	EJE DE BALANCIN ADMISION

Systeme distribution / Distribution system / Sistema de distribución

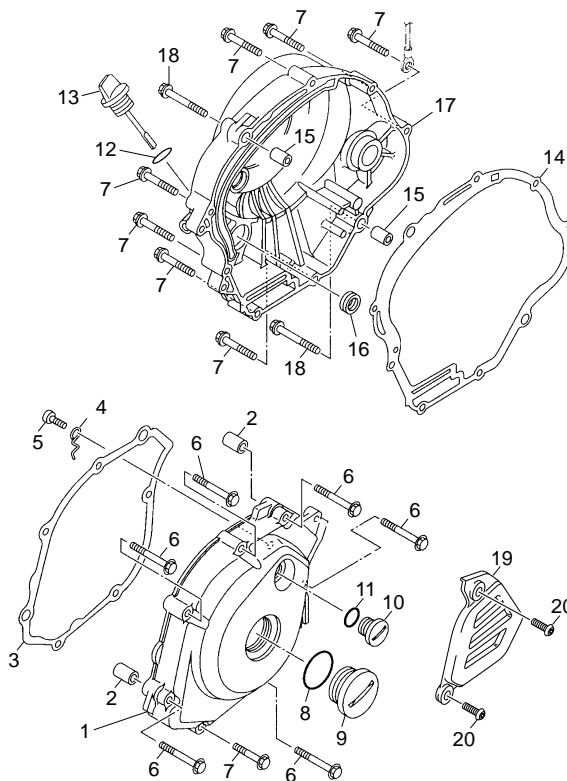


POS.	I.25	FRANÇAIS	ENGLISH	ESPAÑOL
1	9099	PATIN GUIDE CHAINE	GUIDE STOPPER 1	TOPE DE GUIA 1
2	9102	ARBRE A CAME	CAMSHAFT ASSY	ARBOL DE LEVAS COMPLETO
3	9095	PION DE CENTRAGE	COLLAR	CASQUILLO GUIA
4	9101	PIGNON ENTRAINEMENT CHAINE D	SPROCKET CAM CHAIN	CATALINA DE CADENA
5	9100	CHAINE DISTRIBUTION	CHAIN	CADENA
6	9098	RONDELLE PLATE	WASHER PLATE	ARANDELA PLANA
7	9097	VIS	BOLT	TORNILLO
8	9103	VIS CHC M6X12	BEARING CHC M6X12	TORNILLO CHC M6X12
9	9104	PLAQUE DE RETENUE	PLATE	CHAPA RETENCION
10	9070	JOINT	GASKET	JUNTA
11	9090	VIS THEP M6X46	BOLT THEP M6X46	TORNILLO THEP M6X46
12	9092	SYSTEME CPLT TENDEUR CHAINE	TENSIONER ASSY CAM CHAIN	ENSOR DE CADENA DE LEVA
13	9093	JOINT TENDEUR CHAINE	GASKET TENSIONER CASE	EMPAQUE DE CAJA TENSOR
14	9094	PATIN TENDEUR CHAINE	GUIDE STOPPER 2	TOPE DE GUIA 2
15	9096	VIS THEP M6X20	BOLT THEP M6X20	TORNILLO THEP M6X20

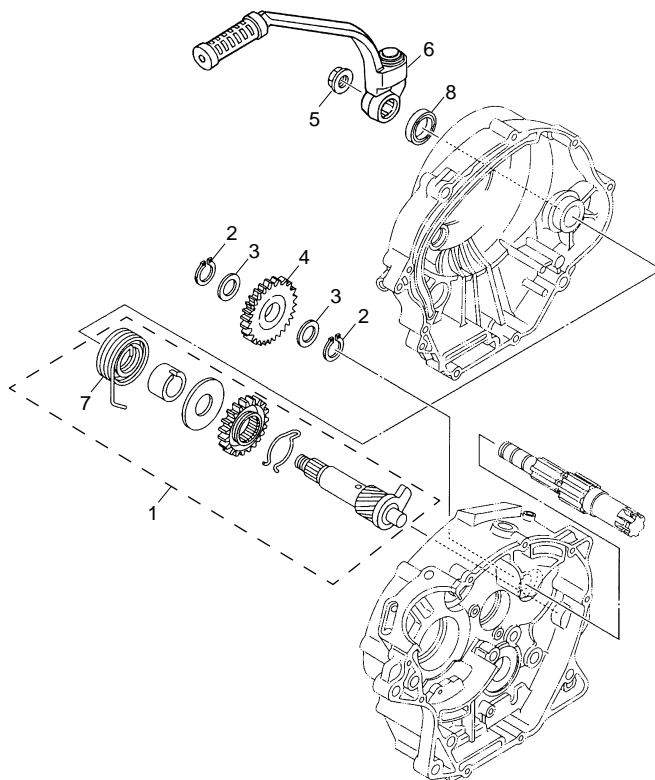
Carter centrause / Central crankcase / Cártter central



POS.	I.25	FRANÇAIS	ENGLISH	ESPAÑOL
1	9115	CARTER 2	CRANKCASE 2	TAPA 2
2	9105	VIS THEP M6X30	BOLT THEP M6X30	TORNILLO THEP M6X30
3	9106	COLLIER CLIP	CLIP	PESILLA
4	9107	TUBE RENILARD 1	PIPE BREATHER 1	ESPIGA RESPIRADO 1
5	9068	PION CENTREUR	PIN DOWEL	CENTRADOR
6	9114	CARTER 1	CRANKCASE 1	TAPA1
7	9109	VIS M6X45	BOLT M6X45	TORNILLO M6X45
8	9111	TOLE PROTECTION	PROTECTION	CHAPA PROTECCION
9	9110	VIS THEP M6X55	BOLT THEP M6X55	TORNILLO THEP M6X55
10	9108	SUPPORT CABLE EMBRAYAGE	HOLDER CLUTCH CABLE	SOSTEN DE CABLE EMBRAGUE
11	9119	JOINT DE COUVERCLE DE POMPE	GASKET PUMP COVER	JUNTA TAPA DE BOMBA
12	9118	FILTRE ROTATIF	FILTER ROTARY	FILTRO
13	9117	PIGNON ENTRAINEMENT DE POMPE	GEAR POMPE DRIVE	ENGRENAGE TRACCION BOMBA
14	9120	POMPE A HUILE COMPLETE	OIL PUMP ASSY	BOMBA DE ACEITE COMPLETA
15	9116	CREPINE	STRAINER OIL	FILTRO DE ACEITE
16	9113	JOINT	GASKET	JUNTA
17	9112	VIS VIDANGE CARTER	PLUG STRAIGHT SCREW	TORNILLO DE DRENAJE

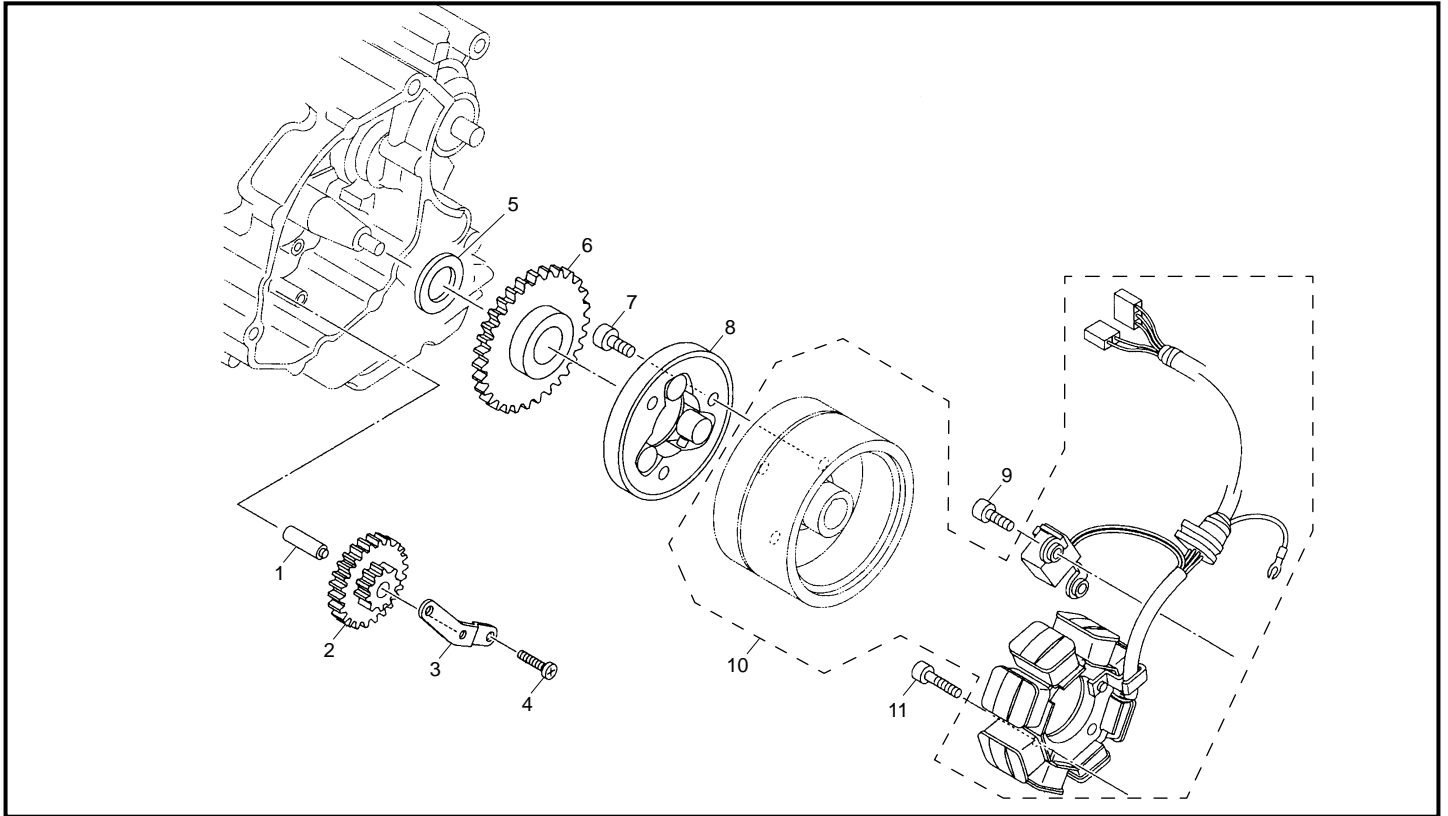
Carter letreause / Lateral crankcase / Cártter lateral


POS.	I.25	FRANÇAIS	ENGLISH	ESPAÑOL
1	9130	COUVERCLE LATERAL GAUCHE	COVER CRANKCASE 1	TAPA CARTER IZQUIERDA
2	9068	PION CENTREUR	PIN DOWEL	CENTRADOR
3	9131	JOINT COUVERCLE LATERAL GAUCHE	GASKET COVER CRANKCASE 1	JUNTA TAPA CARTER IZQUIERDA
4	9133	PAQUE	PLATE	GUIA
5	9132	VIS CRUCIFORME M6X10	SCREW PAN HEAD M6X10	TORNILLO DE CABEZA CON PLANA M6X10
6	9128	VIS THEP M6X50	BOLT THEP M6X50	TORNILLO THEP M6X50
7	9129	VIS THEP M6X35	BOLT THEP M6X35	TORNILLO THEP M6X35
8	9124	JOINT TORIQUE	O RING	TORICA
9	9125	VIS REGARD	PLUG STRAIGHT SCREW	TORNILLO DE DRENAJE
10	9126	BOUCHON NIVEAU D HUILE	PLUG STRAIGHT SCR	TAPON DE CONTROL
11	9127	JOINT TORIQUE	O RING	TORICA
12	9134	JOINT TORIQUE	O RING	TORICA
13	9135	BOUCHON DE NIVEAU D HUILE	PLUG OIL LEVEL	TAPON DE NIVEL ACEITE
14	9121	JOINT CARTER LATERAL DROIT	GASKET RIGHT COVER CRANKCASE	JUNTA TAPA CARTER DERECHA
15	9068	PION CENTREUR	PIN DOWEL	CENTRADOR
16	9122	JOINT SPI	OIL SEAL	SELLO ACEITE
17	9123	CARTER LATERAL DROIT	RIGHT COVER CRANKCASE	TAPA CARTER DERECHA
18	9108	SUPPORT CABLE EMBRAYAGE	HOLDER CLUTCH CABLE	SOSTEN DE CABLE EMBRAGUE
19	2601	CARTER PIGNON SDB SY125	PINION COVER	CARTER PROTECTOR PINION
20	M283	VIS BHC 6 X 16	SCREW BHC 6 X 16	TORNILLO 6 X 16

Systeme demarreur / Start system / Sistema de arranque


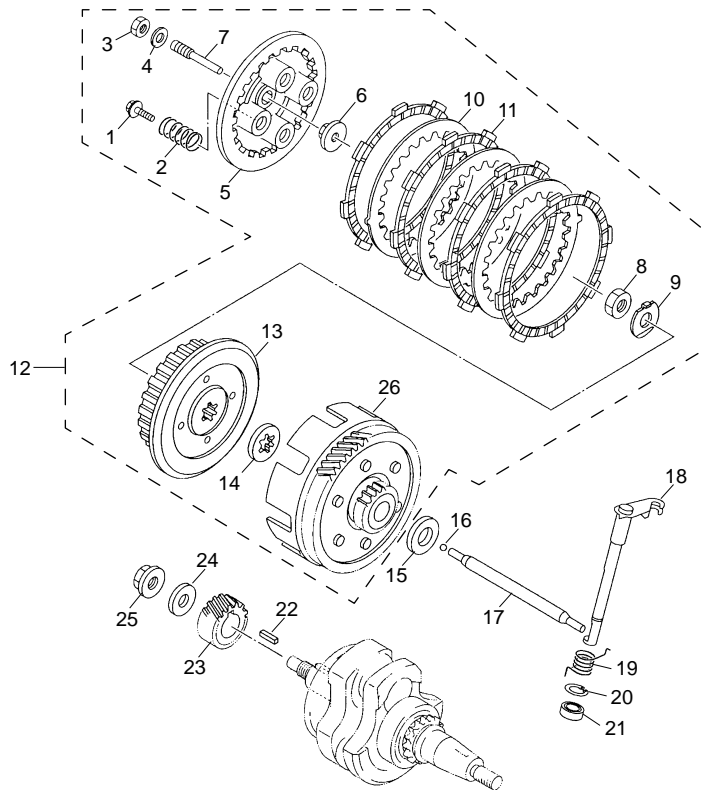
POS.	1.25	FRANÇAIS	ENGLISH	ESPAÑOL
1	9091	GROUPE AXE KICK	RECOIL STARTER	CONJUNTO EJE ARRANQUE
2	9188	CIRCLIP	CIRCLIP	PRESILLA REDONDA
3	9189	RONDELLE PLATE	WHASHER PLATE	ARANDELA PLANA
4	9190	PIGNON FOU	GEAR KICK IDLE	PINON LIBRE PEDAL ARRANQUE
5	9160	ECROU	NUT	TUERCA
6	7164	KICK COMPLET TY125 4T	KICK TY125 4T 18	PEDAL ARRANQUE TY125 4T
7	9187	RESSORT DU KICK	SPRING TORSION	MUELLE ARRANQUE
8	9191	JOINT SPI	OIL SEAL	SELLO ACEITE

Essemble allumage / Ignition system / Sistema de encendido

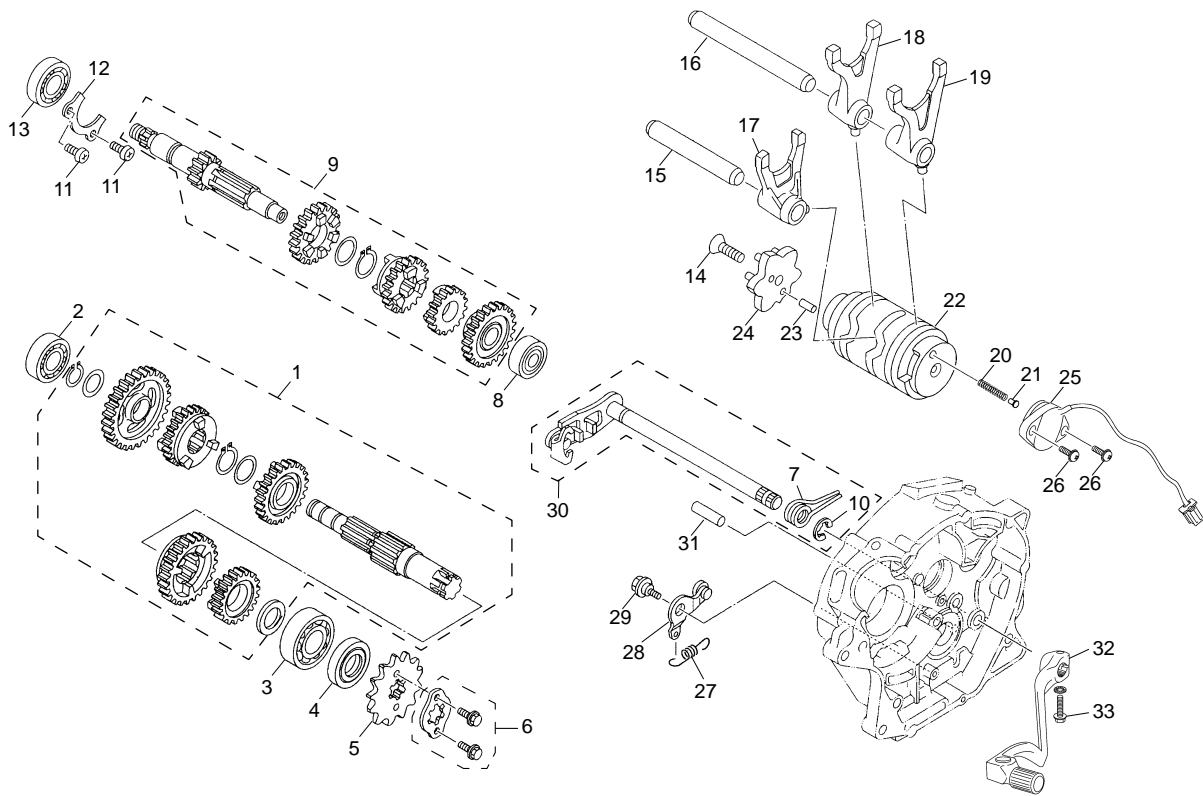


POS.	I.25	FRANÇAIS	ENGLISH	ESPAÑOL
1	9192	ARBRE	SHAFT	EJE
2	9193	PIGNON ROUE LIBRE	GEAR IDLER	PINION ARRANQUE
3	9194	PLAQUE DE VERROUILLAGE	SHAFT	PLATINA PINION DE ARRANQUE
4	9184	VIS CRUCIFORME M6X12	SCREW PAN HEAD M6X12	TORNILLO DE CABEZA CON PLANA M6X12
5	9195	RONDELLE PLATE	WASHER PLAIN	ARANDELA PLANA
6	9196	PIGNON ROUE LIBRE	GEAR IDLER 2	PINION
7	9197	VIS BTR M8X16	BOLT HEXAGON SOCKET HEAD M8X16	PERNO M8X16
8	9198	EMBRAYAGE DEMARREUR ELECTRIQUE	ELECTRIC STARTER CLUTCH	EMBRAGUE ARRANQUE ELECTRICO
9	9199	VIS M6X14	BOLT M6X14	TORNILLO M6X14
10	9200	ALLUMAGE COMPLET	CDI MAGNETO ASSY	ENCENDIDO COMPLETO
11	M255	VIS CHC 6 X 25	SCREW CHC 6 X 25	TORNILLO CHC 6 X 25

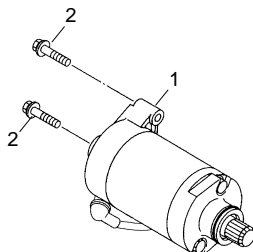
Embrayage / Clutch / Embrague



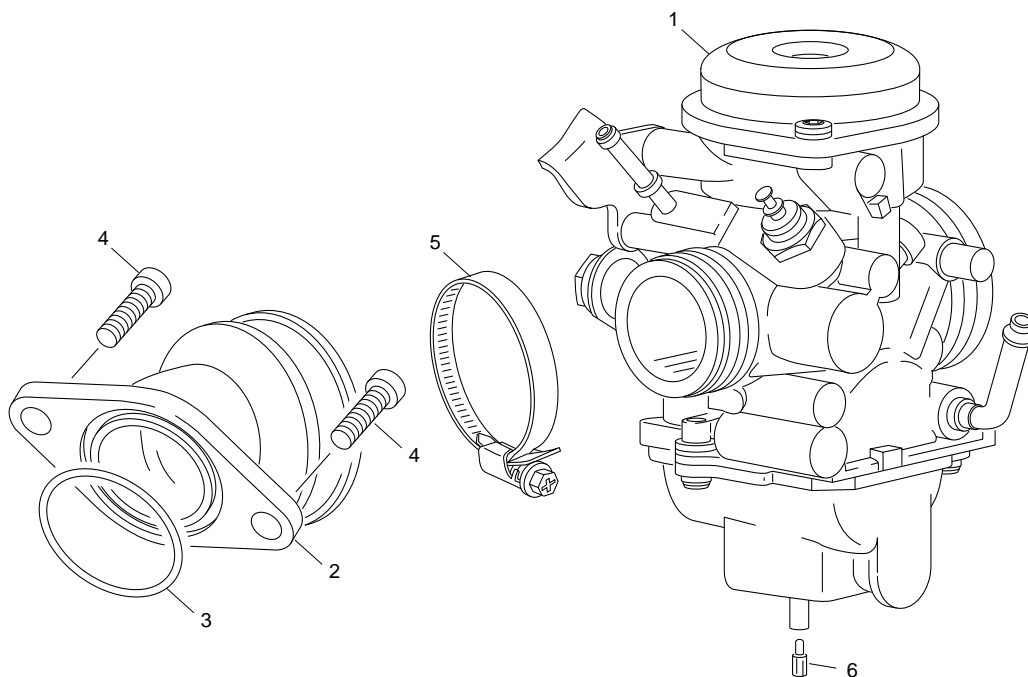
POS.	I.25	FRANÇAIS	ENGLISH	ESPAÑOL
1	9136	VIS EPAULE	SPRING CLUTCH	TORNILLO CON ARANDELA
2	9137	RESSORT EMBRAYAGE	SPRING CLUTCH	MUELLE DE COMPRESION
3	9138	ECROU M6	NUT M6	TUERCA M6
4	C427	RONDELLE M6 X 15	WASHER M6 X 15	ARANDELA M6 X 15
5	9139	PLATEAU DE PRESSION	PLATE PRESSURE	PLATO DE PRESION
6	9140	ECROU POUSSOIR EMB	PUSCH LEVER NUT	TUERCA EMPUJADOR AXIAL
7	9141	POUSSOIR AXIAL EMB	PUSCH LEVER	TIJA EMPUJADOR AXIAL
8	9142	ECROU	NUT	TUERCA
9	9143	RONDELLE D ARRET	WASHER LOCK	ARANDELA DE CIERRE
10	9144	DISQUE GARNI	PLATE FRICTION	PLACA FRICCION
11	9145	DISQUE FRICTION	PLATE CLUCTCH	PLACA DE EMBRAGUE
12	9155	groupe cloche embrayage	CLUTCH BASKET ASSY	grupo embrague cpleto
13	9154	NOIX EMBRAYAGE	CLUTCH HUB	CUBO DE EMGRAGUE
14	9156	RONDELLE CANELE	PLATE THRUST	ARANDELA DE EMPUJE BROCHADA
15	9146	RONDELLE	WASHER	ARANDELA
16	9147	BILLE	BALL	BOLA
17	9148	TIGE DE POUSSEE	ROD PUSH	VARILLA DE EMBRAGUE
18	9149	LEVIER EMBRAYAGE	PUSH LEVER	CONJ PALANCA DE EMPUJE
19	9150	RESSORT	SPRING TORSION	RESORTE DE TORSION
20	9151	CIRCLIP	CIRCLIP	PRESILLA RONDADA
21	9152	JOINT SPI	OIL SEAL	SELLO ACEITE
22	9157	CLAVETTE	KEY STRAIGHT	CHAVETA RECTA
23	9158	PIGNON	GEAR PRIMARY DRIVE	PIÑON PRIMARIA
24	9159	RONDELLE PLATE	WASHER PLATE	ARANDELLA PLANA
25	9160	ECROU	NUT	TUERCA
26	9153	CLOCHE D EMBRAYAGE	CLUTCH BASKET ASSY	CAMPANA DE EMBRAGE



POS.	1.25	FRANÇAIS	ENGLISH	ESPAÑOL
1	9183	GROUPE ARBRE SECONDAIRE	DRIVE SHAFT ASSY	CONJUNTO EJE SECUNDARIO
2	9181	ROULEMENT VILO 6202	BEARING 6202	RODAMIENTO 6202
3	9180	ROULEMENT VILO 6204	BEARING 6204	RODAMIENTO 6204
4	9179	JOINT SPI	OIL SEAL	SELLO ACEITE
5	9178	PIGNON SORTIE DE BOITE 14T	SPOCKET DRIVE Z14	PIÑON Z14
5	9168	PINON SALIDA TY125 10D	SPOCKET TR 10T	PIGNON TY125 10D
6	7867	ANNEAU RETENTION DNS -17-S16	RETAINING RING DNS -17-S16	ANILLO RETENCION DNS -17-S16
7	9177	RESSORT SELECTEUR	SPRING SELECTOR	MUELLE SELECTOR
8	9202	ROULEMENT 6201	BEARING 6201	RODAMIENTO 6201
9	9182	GROUPE ARBRE PRIMAIRE	SPINDLE ASSY	CONJUNTO EJE PRIMARIO
10	3963	CIRCLIP INTER VALVE ARBRE	CIRCLIP 10 DIN471	CIRCLIP 10 DIN471
11	9184	VIS CRUCIFORME M6X12	SCREW PAN HEAD M6X12	TORNILLO DE CABEZA CON PLANA M6X12
12	9185	PLAQUE BUTEE	PLATE COVER	PLACA DE CUBIERTA
13	9186	ROULEMENT VILO 6203	BEARING 6203	RODAMIENTO 6203
14	1993	VIS FHC 6 X 20 1089	SCREW FHC 6 X 20	TORNILLO AVELLANADO M 6 X 20
15	9161	AXE DE FOURCHETTE	BAR SHIFT FORK GUIDE	BARRA GUIA HORQ CAMBIO 1
16	9162	AXE DE FOURCHETTE	BAR SHIFT FORK GUIDE	BARRA GUIA HORQ CAMBIO 2
17	9163	FOURCHETTE DE SELECTION 2	FORK SHIFT 2	HORQUILLA DEL CAMBIO 2
18	9164	FOURCHETTE DE SELECTION 3	FORK SHIFT 3	HORQUILLA DEL CAMBIO 3
19	9165	FOURCHETTE DE SELECTION 1	FORK SHIFT 1	HORQUILLA DEL CAMBIO
20	9166	RESSORT DESMO	SPRING DESMO	MUELLE DESMO
21	9167	PION DESMO	PIN DOWEL DESMO	PASADOR DE AGUJA DESMO
22	9168	PIGNON TY125 10D	SPOCKET TR 10T	PIÑON SALIDA TY125 10D
23	9169	PION ETOILE	PIN DOWEL STAR	PASADOR DE AGUJA ESTRELLA
24	9170	ETOILE DE SELECTION	STAR FERRY	ESTRELLA SELECCION
25	9171	CONTACTEUR POINT MORT	NEUTRAL SWITCH ASSY	CONTACTOR PUNTO MUERTO
26	M258	VIS BHC 5 X 16 1093	SCREW BHC 5 X 16	TORNILLO 5 X 16
27	9172	RESSORT GALET	SPRING	MUELLE GATILLO
28	9173	LEVIER DE BERROUILLAGE	STOPPER LEVER ASSY	PALANCA DE CIERRE ESTRELLA
29	9174	VIS	SCREW	PERNO
30	9175	ARBRE DE SELECTION	SHIFT SHAFT ASSY	EJE SELECTOR COMPLETO
31	9176	PION RESSORT RAPEL	PIN DOWEL	PASADOR MUELLE SELECTOR

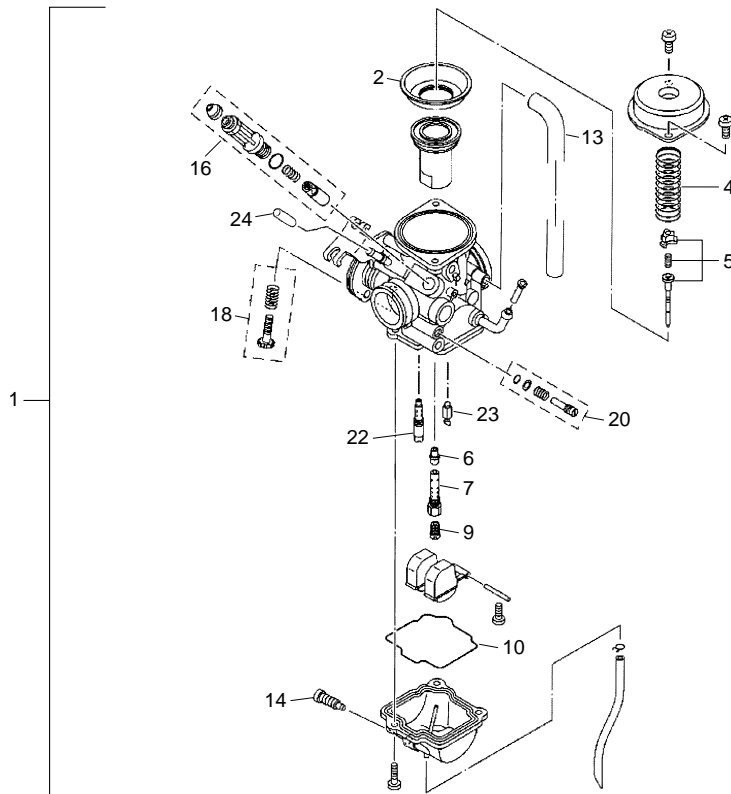
Démarreur électrique / Kiclearter / Arranque eléctrico


POS.	1.25	FRANÇAIS	ENGLISH	ESPAÑOL
1	9201	DEMARREUR	STARTING MOTOR ASSY	MOTOR ARANQUE
2	0970	VIS TH EP 6 X 25	SCREW TH EP M6 X 25	TORNILLO TH EP M6 X 25

Carburateur / Carburator / Carburador


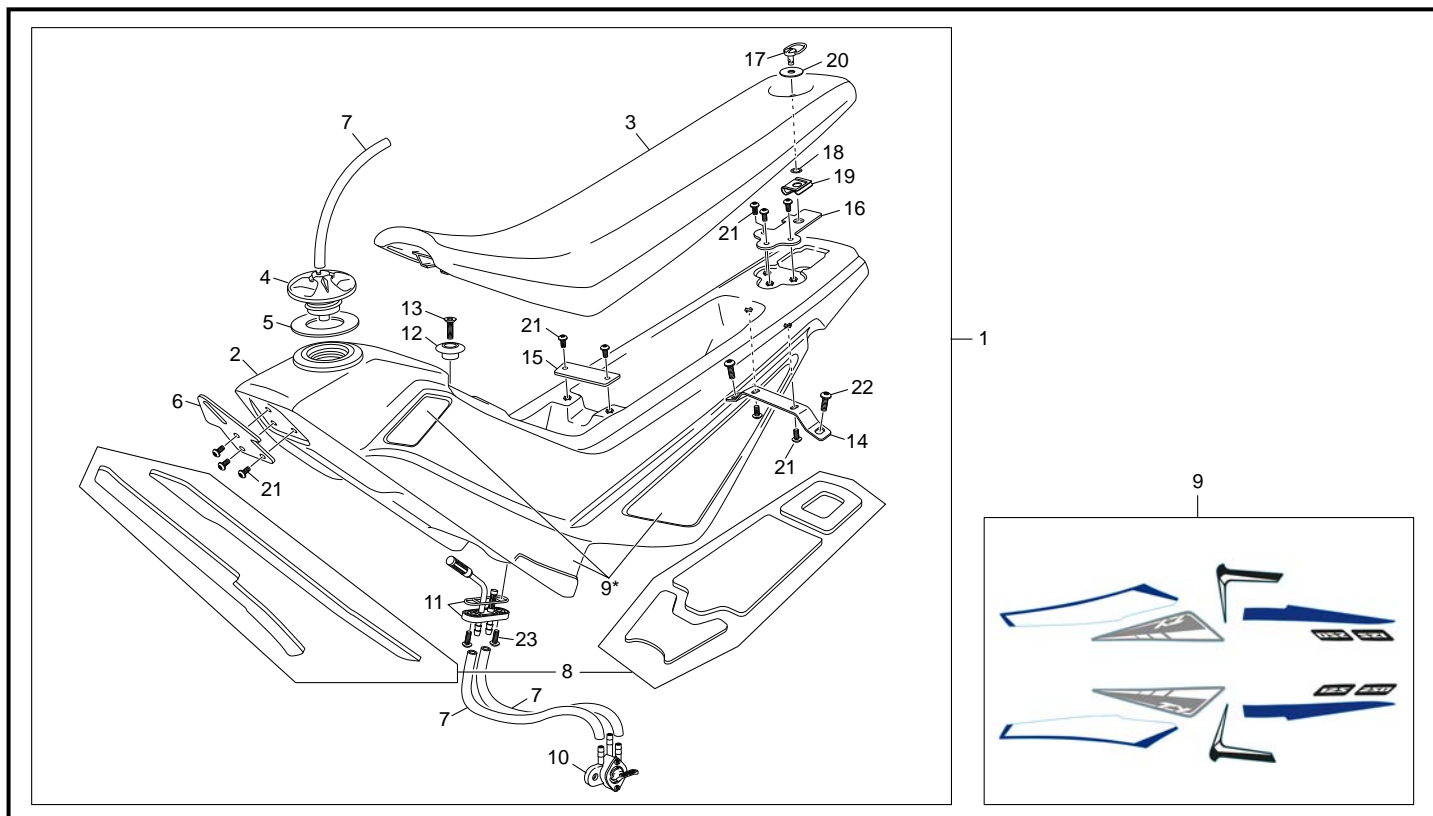
POS.	1.25	FRANÇAIS	ENGLISH	ESPAÑOL
1	7236	CARBURATEUR MIKUNI BS25-107 TY 125 4T	CARBURETOR MIKUNI BS25-107 TY 125 4T	CARBURADOR MIKUNI BS25-107 TY 125 4T
2	7166	PIPE ADMISSION TY125 18	ADMISION PIPE TY125 18	TOBERA ADMISION TY125 18
3	3643	JOINT TORIQUE 31.5X35.5X2	O RING 31.5X35.5X2	TORICA 31.5X35.5X2
4	M283	VIS BHC 6 X 16	SCREW BHC 6 X 16	TORNILLO 6 X 16
5	C110	COLLIER NORMA 32/50	COLLARD NORMA 32/50	ABRAZADERA NORMA 32/50
6	7761	GICLEUR PRINCIPAL 130 MIKUNI TY125	MAIN JET 130 MIKUNI TY125	CHICLE PRINCIPAL 130 MIKUNI TY125

Carburateur / Carburator / Carburador



POS.	1.25	FRANÇAIS	ENGLISH	ESPAÑOL
1	7236	CARBURATEUR MIKUNI BS25-107 TY 125 4T	CARBURETOR MIKUNI BS25-107 TY 125 4T	CARBURADOR MIKUNI BS25-107 TY 125 4T
2	8672	DIAFRAGME MIKUNI TY 125 4T	DIAFRAGM MIKUNI TY 125 4T	DIAFRAGMA MIKUNI TY 125 4T
4	8673	RESSORT MIKUNI TY 125 4T	SPRING MIKUNI TY 125 4T	MUELLE MIKUNI TY 125 4T
5	8674	KIT AGUILLE MIKUNI TY 125 4T	NEEDLE SET MIKUNI TY 125 4T	KIT AGUJA MIKUNI TY 125 4T
6	8676	DIFUSEUR MIKUNI TY 125 4T	NOZZLE MAIN MIKUNI TY 125 4T	DIFUSOR MIKUNI TY 125 4T
7	8675	CHEMINE MIKUNI TY 125 4T	HOLDER MIKUNI TY 125 4T	CHIMENEA MIKUNI TY 125 4T
9	7761	GICLEUR PRINCIPAL 130 MIKUNI TY125	MAIN JET 130 MIKUNI TY125	CHICLE PRINCIPAL 130 MIKUNI TY125
10	8678	JOINT CUVE MIKUNI TY 125 4T	O-RING MIKUNI TY 125 4T	JUNTA CUBETA MIKUNI TY 125 4T
13	7760	DURITE MISE A L' AIR CARBURATEUR TY 125	CARBURETOR TUBE TY125	TUBO RESPIRADERO CARBURADOR
14	8679	VIS DE PURGE MIKUNI TY 125 4T	PLUG DRAIN MIKUNI TY 125 4T	TORNILLO DE PURGA MIKUNI TY 125 4T
16	8680	KIT STARTER MIKUNI TY 125 4T	STARTER SET MIKUNI TY 125 4T	KIT STARTER MIKUNI TY 125 4T
18	8681	KIT VIS RALENTI MIKUNI TY 125 4T	THROTTLE SCREW SET MIKUNI TY 125 4T	TORNILLO RALENTI MIKUNI TY 125 4T
20	8682	VIS AIR MIKUNI TY 125 4T	PILOT SCREW SET MIKUNI TY 125 4T	TORNILLO AIRE MIKUNI TY 125 4T
22	8683	GICLEUR MIN MIKUNI TY 125 4T	PILOT JET MIKUNI TY 125 4T	GICLEUR MINIMA MIKUNI TY 125 4T
23	8684	AGUILLE FLOTTEUR MIKUNI TY 125 4T	NEEDLE ASSY MIKUNI TY 125 4T	AGUJA FLOTADOR MIKUNI TY 125 4T
24	7594	BOUCHON CARBURATEUR 2.8x19.1 TY125	CARBURATEUR CAP 2.8x19.1 TY125	TAPÓN CARBURADOR 2.8x19.1 TY125

Kit reservoir / Kit fuel / Kit depósito



POS.	1.25	FRANÇAIS	ENGLISH	ESPAÑOL
1	8090	KIT RESSERVOIR LONG RIDE SHERCO TY125 18	KIT FUEL TANK LONG RIDE SHERCO TY125 18	KIT DEPOSITO LONG RIDE SHERCO TY125 18
2	8066	RESERVOIR BRUT LONG RIDE TY 125 18	PETROL TANK BRUT LONG RIDE TY 125 18	DEPOSITO BRUT LONG RIDE TY 125 18
3	7181	SELLE BLUE SH TY125 18	BLUE SEAT SH TY125 18	ASIEN TO AZUL SH TY125 18
4	C712	BOUCHON ESSENCE 06	PETROL CAP 06	TAPON GASOLINA 06
5	C721	JOINT BOUCHON ESSENCE 06	SEAL PETROL CAP 06	JUNTA TAPON GASOLINA 06
6	8067	SUPPORT AVANT RESERVOIR LONG RIDE TY	FRONT SUPORT FUEL TANK LONG RIDE TY	SOPORTE DEPOSITO DEL LONG RIDE TY
7	8081	DURITE ESSENCE L 205 LONG RIDE TY	PETROL TUBE L 205 LONG RIDE TY	TUBO GASOLINA L 205 LONG RIDE TY
8	8074	KIT MOUSSE RESERVOIR LR TY 125	FOAM TANK KIT LR TY 125	KIT ESPUMA DEPOSITO LR TY 125
9	8075	KIT ADHESIF SHERCO LONG RIDE TY 125	KIT STICKER SHERCO LONG RIDE TY 125	KIT ADHESIVOS SHERCO LONG RIDE TY 125
10	7157	ROBINET ESSENCE 3 VOIES	PETROL TAP 3 PIPES	GRIFO GASOLINA 3 VIAS
11	7180	COLECTEUR ROBINET ESSENCE 3 VOIES	COLECTOR PETROL TAP 3 PIPES	COLECTOR GRIFO GASOLINA 3 VIAS
12	0497	FIXATION SELLE RESERVOIR END 450	SPACER SEAT /TANK END 450	CASQUILLO SILING DEPOSITO END 450
13	0652	VIS FHC M6 X 25	SCREW FHC M6 X 25	TORNILLO AVELL M6 X 25 DIN 7991
14	8068	SUPPORT ARRIERE RESERVOIR LONG RIDE TY	REAR SUPORT FUEL TANK LONG RIDE TY	SOPORTE TRAS DEPOSITO LONG RIDE TY
15	8069	SUPPORT SELLE CENTRAL LONG RIDE TY	CENTRAL SUPORT SEAT LONG RIDE TY	SOPORTE CENT DEPOSITO LONG RIDE TY
16	8070	SUPPORT SELLE ARRIERE LONG RIDE TY	SUPORT REAR SEAT LONG RIDE TY	SOPORTE TRAS ASIEN TO LONG RIDE TY
17	8071	DZUS DE SELLE D6 TY 18	DZUS DE SELLE D6 TY 18	DZUS DE SELLE D6 TY 18
18	8072	RONDELLE VERROUILLAGE DZUS D6 TY 18	WASHER VEROUILLAGE DZUS D6 TY 18	ARANDELLA RETENCION DZUS D6 TY 18
19	8073	CLIP DZUS D6 TY 18	CLIP DZUS D6 TY 18	CLIP DZUS D6 TY 18
20	8297	RONDELLE PLASTIQUE NOIR 6X25 SDV TY126LR	PLASTIC WASHER 6X25 SDV TY126LR	ARANDELA PLASTICO 6X25 SDV TY126LR
21	M278	VIS BHC 5 X10 1093 ZN NI TR	SCREW BHC 5X10 ZN NI TR	TORNILLO 5 X 10 ULS ZN NI TR
22	M269	VIS BHC 6 X 20 CARROSSERIE ZN NI TR	SCREW BHC 6 X 20 CARROSSERIE ZN NI TR	TORNILLO 6 X 20 ESPECIAL CARROCERIA ZN NI TR
23	M258	VIS BHC 5 X 16 1093 ZN NI TR	SCREW BHC 5 X 16 ZN NI TR	TORNILLO 5 X 16 ULS ZN NI TR

SHERCO
Motorcycles

BY
OXIA

ZIP

Classic

PLAY WITH GRAVITY

2020

SHERCO
www.sherco.com

created by: www.ciandisseny.com

CBRAKTEC

GALFER

MINERVA OIL