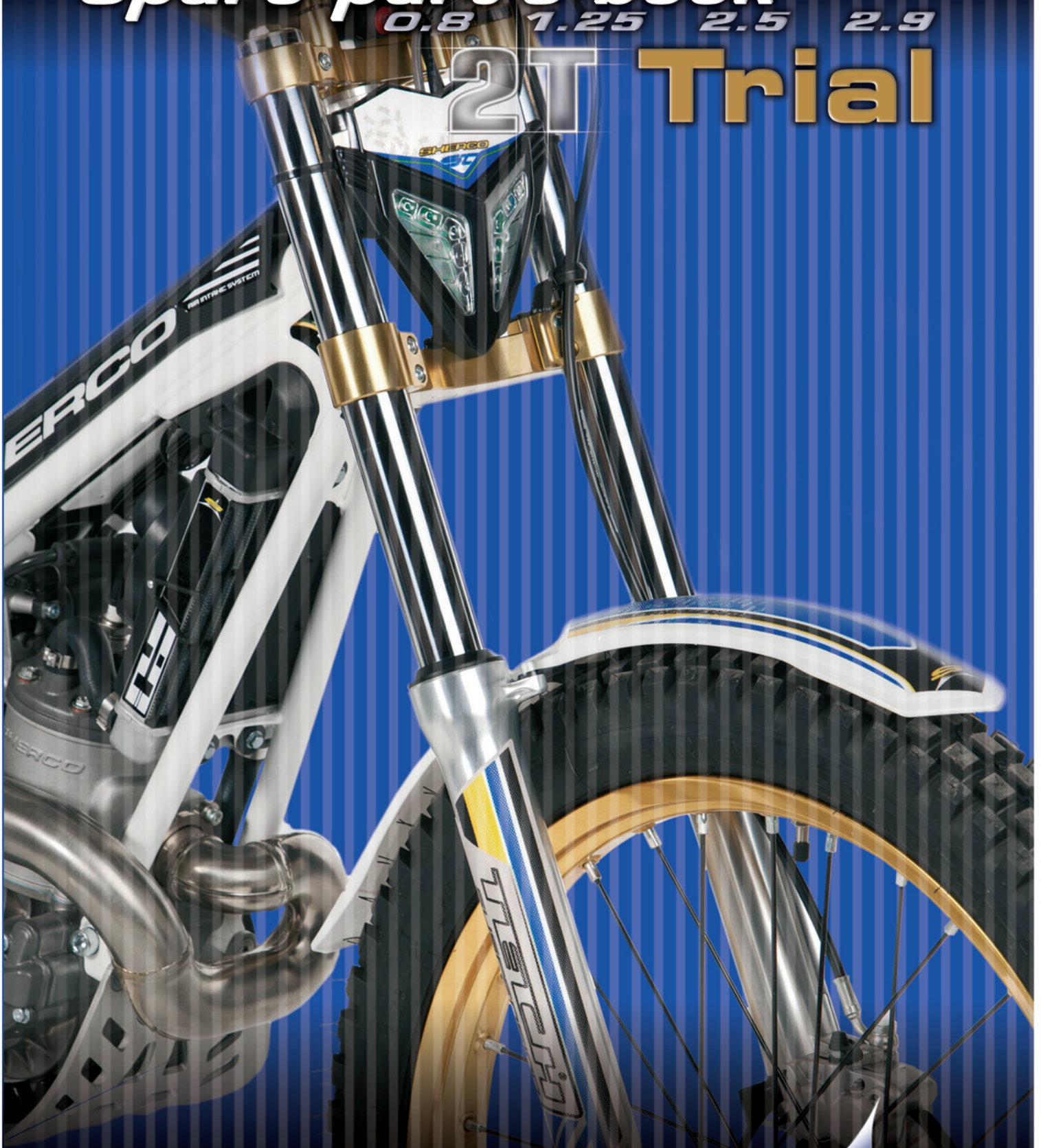


Spare part's book **2012**

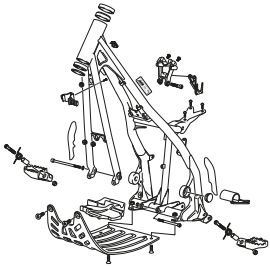
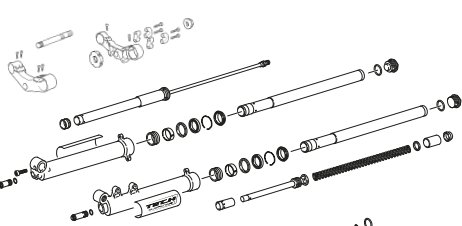
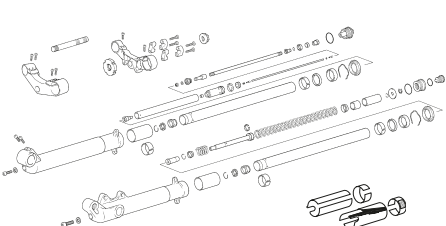
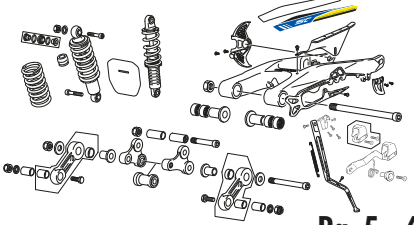
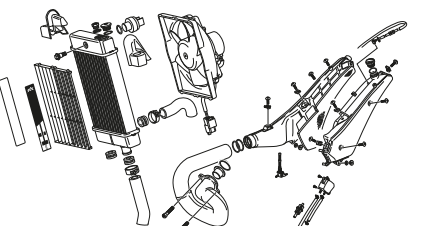
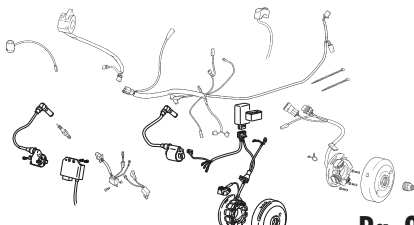
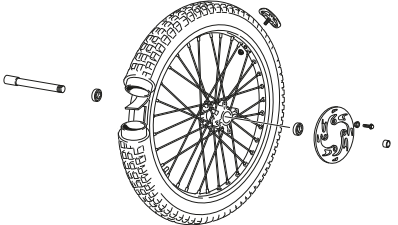
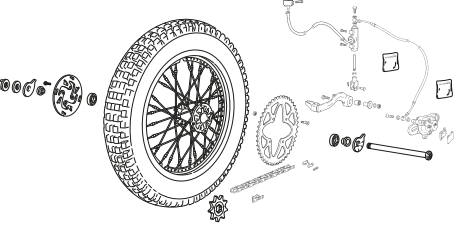
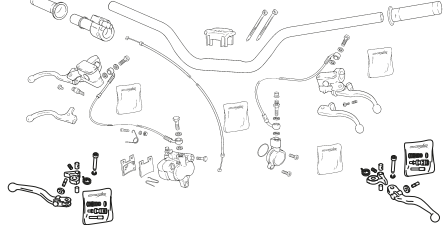
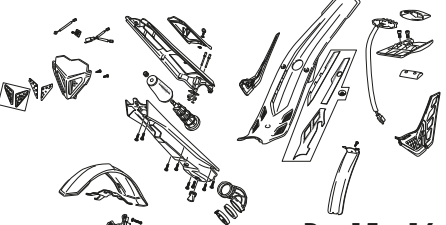
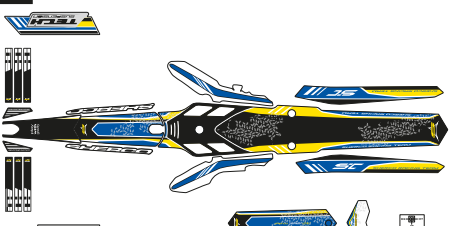
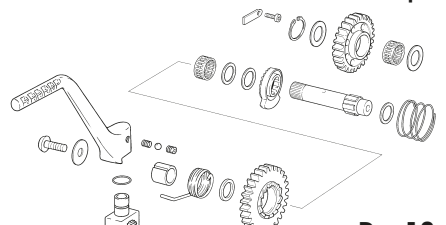
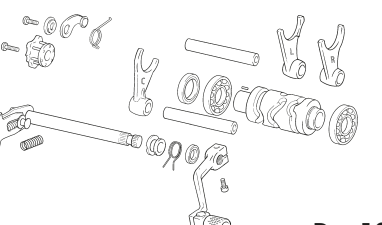
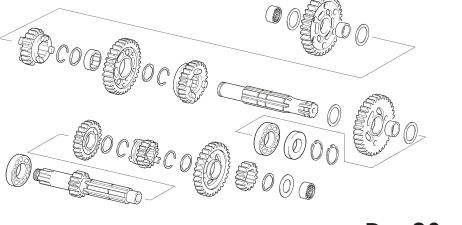
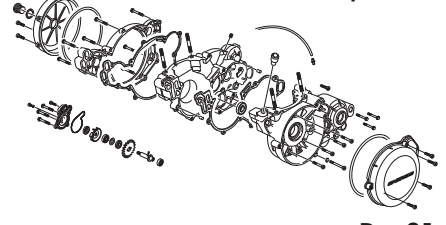
0.8 1.25 2.5 2.9

2T Trial



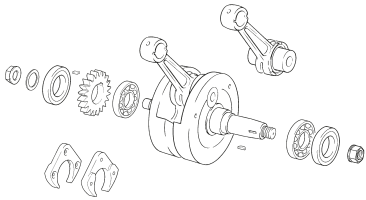
SHERCO
Motorcycles

Index / Index / Índice

<p>1 Cadre / Frame / Chasis</p>  <p>Pg. 1</p>	<p>2 Fourche / Fork / Horquilla</p>  <p>Pg. 2</p>	<p>3 Fourche / Fork / Horquilla 0.8</p>  <p>Pg. 3 - 4</p>
<p>4 Amortisseur - Bras oscillant / Rear Shock - Swingarm / Amortiguador - Basculante</p>  <p>Pg. 5 - 6</p>	<p>5 Radiateur / Radiator / Radiador</p>  <p>Pg. 7 - 8</p>	<p>6 Faisceau électrique / Electrical system / Instalación eléctrica</p>  <p>Pg. 9</p>
<p>7 Roue avant / Front wheel / Rueda delantera</p>  <p>Pg. 10</p>	<p>8 Roue arriere / Rear wheel / Rueda trasera</p>  <p>Pg. 11 - 12</p>	<p>9 Guidon / Handlebar / Manillar</p>  <p>Pg. 13 - 14</p>
<p>10 Plastiques / Plastics / Plásticos</p>  <p>Pg. 15 - 16</p>	<p>11 Adhesif / Stiker / Adhesivos</p>  <p>Pg. 17</p>	<p>12 Lanceur / Kickstarter assembly / Pedal arranque</p>  <p>Pg. 18</p>
<p>13 Selecteur / Gear selector group / Selector cambio</p>  <p>Pg. 19</p>	<p>14 Boite a vitesses / Gear set / Cambio</p>  <p>Pg. 20</p>	<p>15 Groupe carters / Crankcase assembly / Grupo carters</p>  <p>Pg. 21</p>

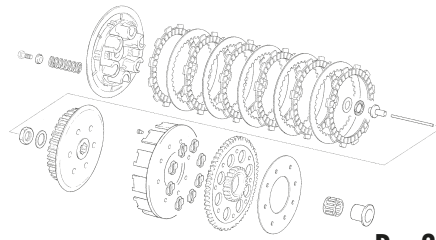
Index / Index / Índice

16 Villebrequin assemble / Crankshaft assembly / Cigüeñal biela



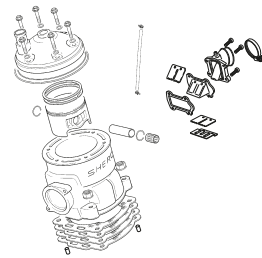
Pg. 22

17 Embrayage / Clutch / Embrague



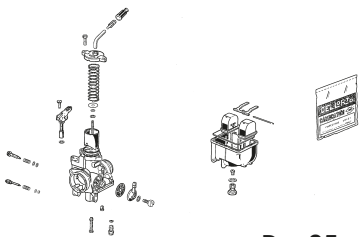
Pg. 23

18 Cylindre / Cylinder / Cilindro



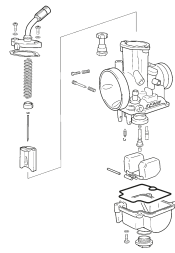
Pg. 24

19 Carburateur / Carburetor / Carburador Ø26

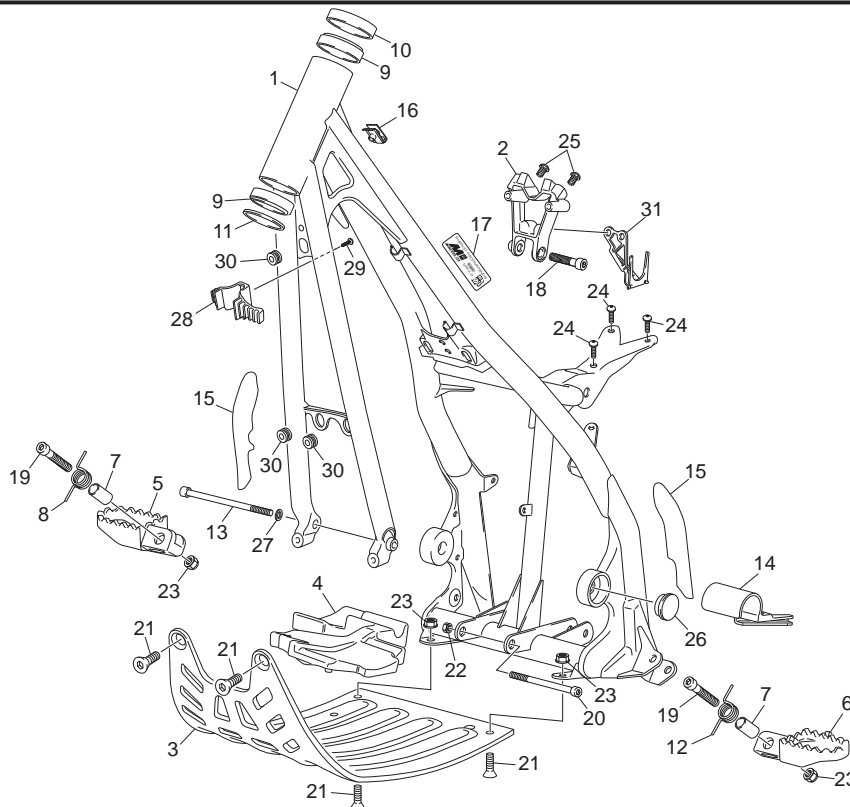


Pg. 25 - 26

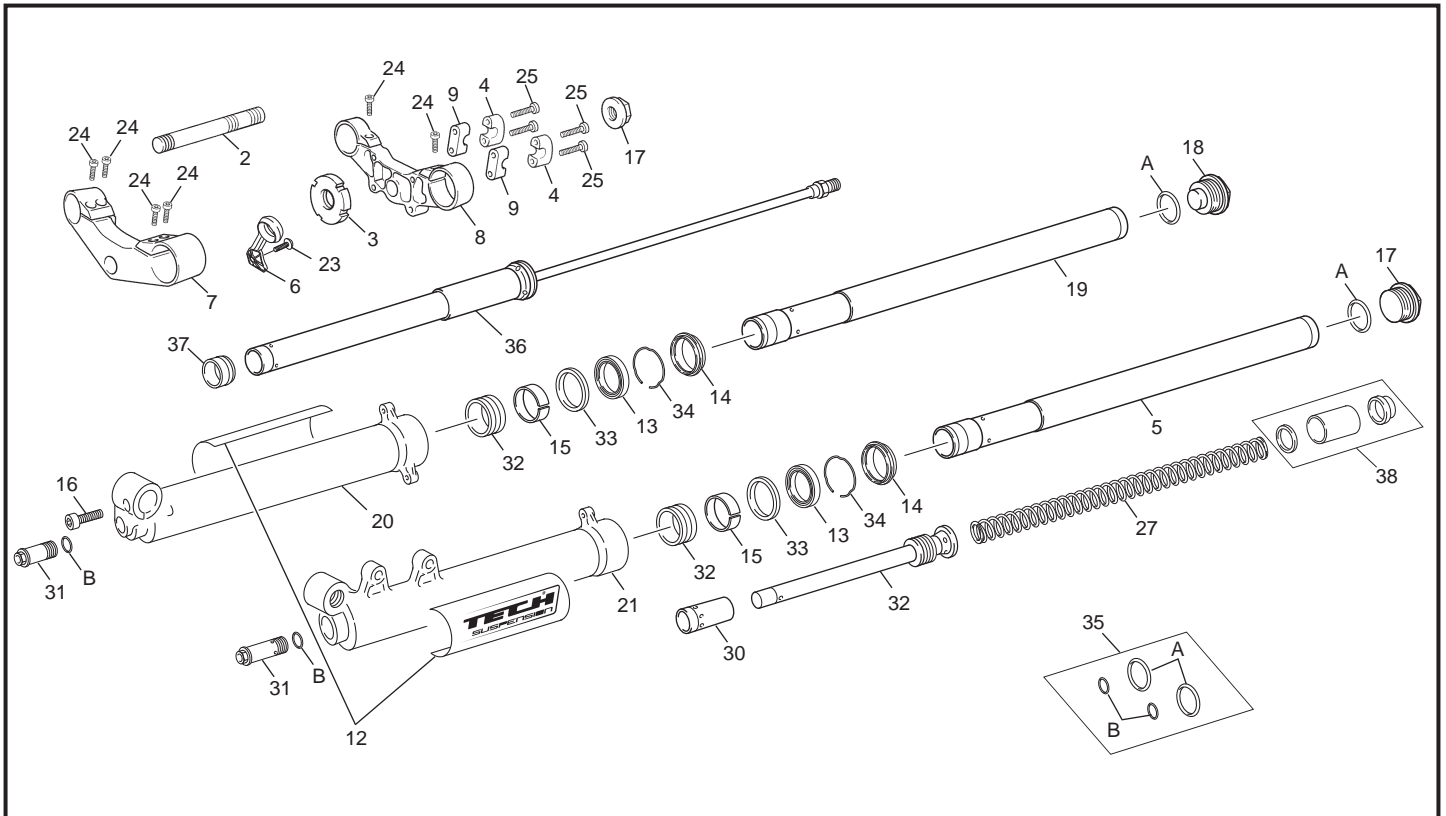
20 Carburateur / Carburetor / Carburador KEIHIN



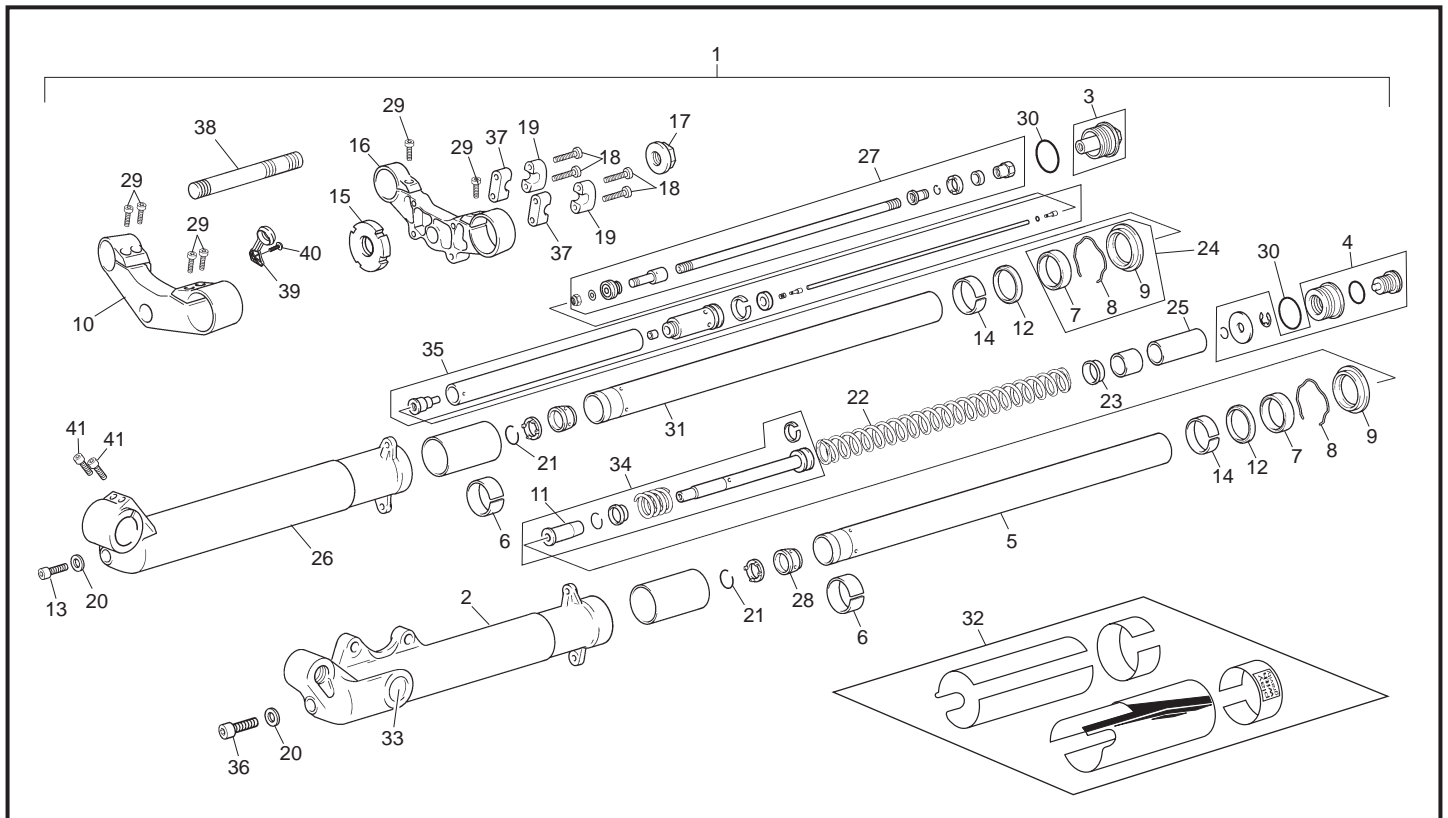
Pg. 27 - 28

Cadre / Frame / Chasis


POS.	0.8	1.2	2.5	2.9	FRANÇAIS	ENGLISH	ESPAÑOL
1	3145	3584	3584	3584	CADRE TRIAL 2T 2012	FRAMETRIAL 2T 2012	CHASIS TRIAL 2T 2012
2	2865	2251	2251	2251	PATE FIXATION CYLINDRE 250-290 2010	CLINDER SUPPORT 250-290 2010	TIRANTE CILINDRO 250-290 2010
3	2300	2300	2300	3583	SABOT 2012	BASH PLATE 2012	PROTECTOR CARTERS MOTOR 2012
4	3155	2327	2327	3582	CAOUTCHOUC MOTEUR 2012	BASH PLATE RUBBER 2012	CAUCHO PLACA MOTOR 2012
5	2015	2015	2015	2015	REPOSE PIED DROITE 09 TR	RIGHT FOOTPEG 09 TR	ESTRIBERA DERECHA 09 TR
6	2016	2016	2016	2016	REPOSE PIED GAUCHE 09 TR	LEFT FOOTPEG 09 TR	ESTRIBERA IZQUIERDA 09 TR
7	2867	2867	2867	2867	ENTRETOISE REPOSE PIED LONG 2010	SPACER FOOT PEG LONG 2010	CASQUILLO ESTRIBERA LARGO 2010
8	C008	C008	C008	C008	RESSORT REPOSE PIED DROITE	RIGHT FOOTPEG SPRING	MUELLE ESTRIBERA DERECHA
9	C009	C009	C009	C009	ROUL. COLONNE DIRECTION R32004	STEERING BEARING R32004	RODAMIENTO DIRECCION R32004
10	C010	C010	C010	C010	BAGUE DE PROTECTION HAUTE PLASTIC	PLASTIC DUST COVER	GUARDA POLVO SUPERIOR PLASTIC
11	C011	C011	C011	C011	BAGUE DE PROTECTION BASSE	FORK ALUMINIUM WHASHER	ARANDELA GUARDA POLVO INF
12	C012	C012	C012	C012	RESSORT DE REPOSE PIED GAUCHE	LEFT FOOT PEG SPRING	MUELLE ESTRIBERA IZQUIERDA
13	C172	C172	C172	C172	AXE 10 X 20	PIN 10 X 20	EJE 10 X 20
14	C013	C013	C013	C013	PATIN CHAINE CADRE	SWINGARM CHAIN PROTECTOR	PATIN CADENA CHASIS
15	3232	3717	3717	3717	ADHESIF PROTEC CADRE JEU TR 12	FRAME PROTECTOR STICKER KIT TR 12	ADESIVO PROT. CHASSIS JUEGO TR 12
16	M308	M308	M308	M308	ECROU CLIP M6 0500500400	NUT CLIP M6	TUERCA CLIP M6
17	C393	C393	C393	C393	ADESIF MINERVA S/PLOMB 98	PETROL MINERVA STICKER 98	ADHESIVO MINERVA S/PLOMO 98
18	M263	M263	M263	M263	VIS CHC 8 X 40 0084	SCREW CHC 8 X 40	TORNILLO 8 X 40 ALLEN
19	M264	M264	M264	M264	VIS CHC 8 X 45 0084	SCREW CHC 8 X 45	TORNILLO 8 X 45 ALLEN
20	M396	M396	M396	M396	VIS CHC M10 X 80	SCREW CHC M10 X 80	TORNILLO CHC M10 X 80
21	M301	M301	M301	M301	VIS FHC 8 X 20 1089	SCREW FHC 8 X 20	TORNILLO AVELLANADO M 8 X 20
22	M304	M304	M304	M304	ECROU NYLSTOP M10 0368.10	NUT NYLSTOP M10	TUERCA NYLSTOP M10
23	M305	M305	M305	M305	ECROU NYLSTOP M8 0368.8	NUT NYLSTOP M8	TUERCA NYLSTOP M8
24	M345	M345	M345	M345	VIS BHC 6 X 12 CAROSSERIE	SCREW BHC 6 X 12 BODY	TORNILLO BHC 6 X 12 CAROSSERIA
25	M282	M282	M282	M282	VIS BHC 6 X 10 1093	SCREW BHC 6 X 10	TORNILLO 6 X 10 BHC
26	C165	C165	C165	C165	BOUCHON AXE BRAS OSCILLANT Ø 35	COVER SWING ARM AXLE Ø 35	TAPON EJE BASCULANTE Ø 35
27	3021	3021	3021	3021	RONDELE M10 BL DIN 7980	WASHER M10 BL DIN 7980	ARANDELA M10 BL DIN 7980
28	3156	3156	3156	3156	BUTEE DIRECTION TR 11	STOP FRAME TR11	TOPE DIRECCION TR 11
29	M278	M278	M278	M278	VIS BHC 5 X10 1093	SCREW BHC 5X10	TORNILLO 5 X 10 ULS
30	C118	C118	C118	C118	SILENT BLOC RADIATEUR	SILENT-BLOC RADIATOR	SILENT-BLOC RADIADOR
31	-----	3585	3585	3585	SUPPORT CDI HI TRIAL	HOLDER CDI HI TRIAL	SOPORTE CDI HI TRIAL

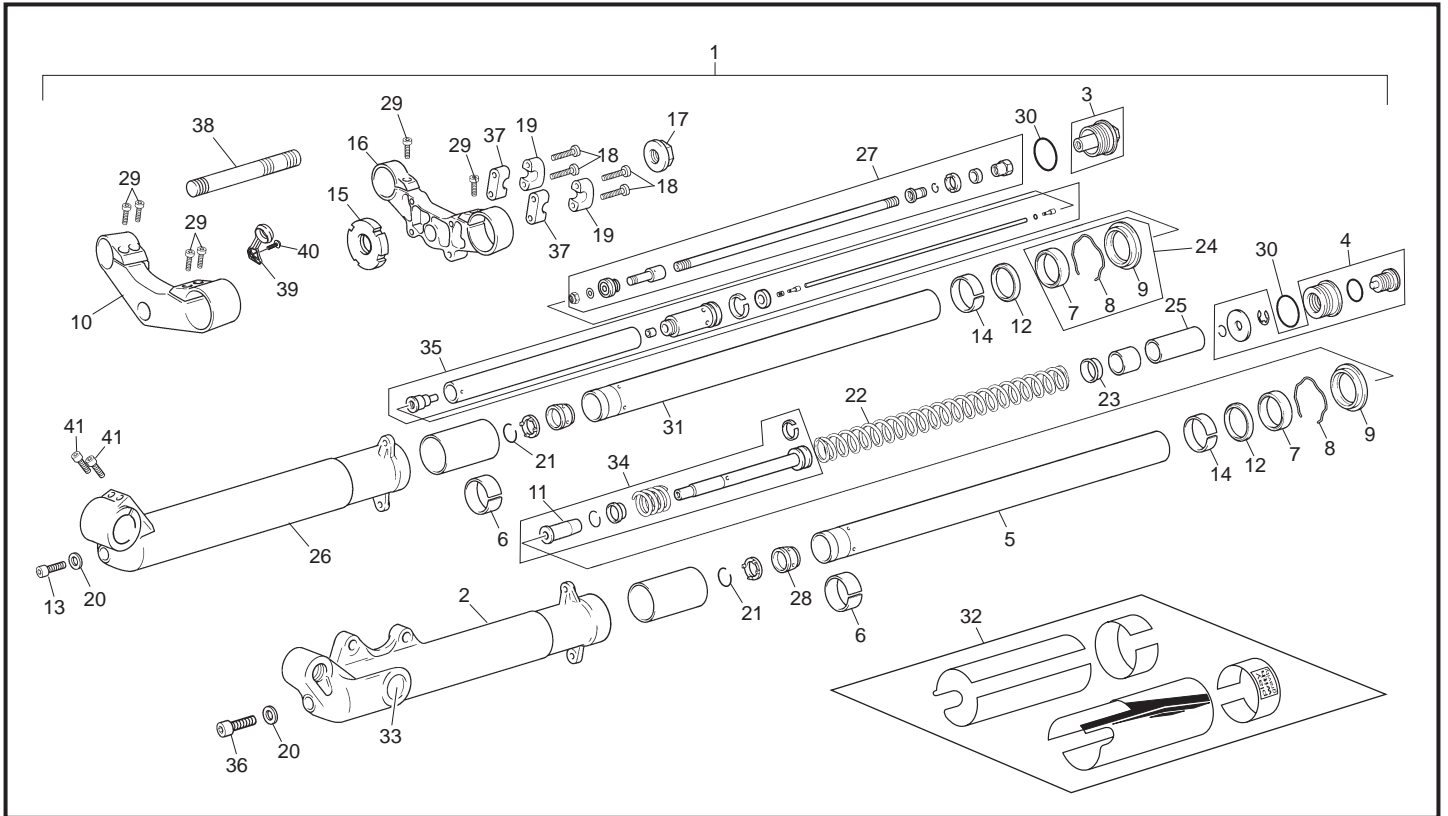
Fourche / Fork / Horquilla


POS.	1.2	2.5	2.9	FRANÇAIS	ENGLISH	ESPAÑOL
1	3379	3379	3379	GRUPE JAMBES TS CPL TRIAL	GROUP I SWEEP TS CPL TRIAL	GRUPO BARRAS TS CPL TRIAL
2	1166	1166	1166	AXE ALUMINIUM	AXIS ALUMINIUM	EJE ALUMINIO
3	1170	1170	1170	RONDILLE ECROU ALU AXE DIRECT. 07	TOP TRIPLE CLAMP ALUMINIUM NUT 07	TUERCA FIJACION ALU 07
4	3402	3402	3402	BRIDE GUIDON SUPERIEURE OR TS 39	BRIDE SUP HANDLE BAR GOLD TS 39	BRIDA SUPERIOR MANILLAR ORO TS39
5	4256	4256	4256	GRUPE TUBE FOURCHE GAUCHE TS	GROUP STANGHON TUBE LEFT TS	GRUPO TUBO HORQUILLA IZQ. TS
6	2359	2359	2359	GUIDE DURITE FREIN AV 2010	GUIDE FRONT BRAKE HOSE 2010	GUIA LATIGUILLO FRENO DEL 2010
7	3385	3385	3385	T FOURCHE INF OR TS 39	BOTTOM PLAT FORK GOLD TS 39	PLATINA INF HORQUILLA ORO TS 39
8	3386	3386	3386	T FOURCHE SUP OR TS 39	UPPER PLAT FORK GOLD TS 39	PLATINA SUP HORQUILLA ORO TS 39
9	3403	3403	3403	BRIDE GUIDON INFIEREURE OR TS 39	BRIDE INF HANDLEBAR GOLD TS 39	BRIDA INFERIOR MANILLAR ORO TS 39
11	R108	R108	R108	ECROU ALU AXE FOUR. 2000	ALUMINI. NUT FOR FRONT FORK AXLE	TUERCA EJE 2000
12	3718	3718	3718	ADHESIF FOURCHE TR 12	STICKERS FORK TR 12	ADHESIVO HORQUILLA TR 12
13	3662	3662	3662	JOINT SPIE DE FOURCHE TS	FORK OIL SEAL TS	RETEN SUSPENSION DEL TS
14	3661	3661	3661	PARE POUSSIERE FOURCHE TS	O-RING FORK TS	GUARDA POLVO HORQUILLA TS
15	3663	3663	3663	DU TUBE FOURCHE TS	DU FRICTION TUB TS	DU TUBO TS
16	3673	3673	3673	VIS THC M8X18 DIN 7984	SCREW M8X18 DIN 7984	TORNILLO M8X18 DIN 7984
17	3664	3664	3664	BOUCHON FOURCHE GAUCHE TS	LEFT FORK PLUG TR TS	TAPON HORQUILLA IZQ TR TS
18	3665	3665	3665	BOUCHON FOURCHE DROITE TR TS	PLUG RIGHT FORK TR TS	TAPON DERECHO HORQUILLA TR TS
19	3668	3668	3668	GRUPE TUBE FOURCHE DROITE TS	GROUP STANGHON TUBE RIGHT TS	GRUPO TUBO HORQUILLA DER. TS
20	3667	3667	3667	JAMBE DROITE TS	RIGHT SIDE FORK TS	BOTELLA DER TS
21	3666	3666	3666	JAMBE GAUCHE TS	LEFT SIDE FORK TS	BOTELLA IZQ TS
22	3674	3674	3674	VIS BLOCAGE POMPANTE HIDRA.	SCREW STOPER HYDRAULIC POMP	TORNILLO BLOCAGE BOMBA HIDRA.
23	M258	M258	M258	VIS BHC 5 X 16 1093	SCREW BHC 5 X 16	TORNILLO 5 X 16 ULS
24	M261	M261	M261	VIS CHC 8 X 20 0084	SCREW CHC 8 X 20	TORNILLO 8 X 20 ALLEN
25	1237	1237	1237	VIS CHC 8 X 55 0084	SCREW CHC 8 X 55	TORNILLO 8 X 55 ALLEN
27	4411	4411	4411	RESSORT DE FOURCHE TECH	FORK SPRING TECH	MUELLE HORQUILLA TECH
28	4412	4412	4412	SUPPORT ANEAU BUTEE RESSORT	SUPPORT RING FOR SPRING LIMIT	SOPORTE ANILLO TOPE MUELLE
29	4413	4413	4413	GRUPE POMPANTE TS	GROUP MECHANICAL POUMPING TS	GRUPO POMPANTE TS
30	4417	4417	4417	CONE BUTEE GAUCHE	CONE LIMIT LEFT	CONO TOPE IZQUIERDO
31	4414	4414	4414	GRUPE REGULATION AIGUILLE	NEEDLE REGULATION GROUP	GRUPO REGULACION AGUJA
32	4422	4422	4422	DU 38X40X20 TS	BUSH DU 38X40X20 TS	DU 38X40X20 TS
33	4421	4421	4421	RONDELE TENUE ANEAU TS	RING STOP BUSHING OIL SEAL TS	ARANDELA RETENCION ANILLO TS
34	4420	4420	4420	ANEAU JOINT SPIE TS	RING STOPPER OIL SEAL TS	ANILLO RETENCION RETEN TS
35	4416	4416	4416	JEU TORIQUES	GROUP RING SEALS	JUEGO JUNTAS
36	4418	4418	4418	GRUPE CARTOUCHE	GROUP CARTRIDGE	GRUPO CARTUCHO
37	4419	4419	4419	CONE BUTEE DROITE	CONE LIMIT RIGHT	CONO TOPE DERECHO
38	4415	4415	4415	RESSORT DE FOURCHE TECH	FORK SPRING TECH	MUELLE HORQUILLA TECH

Fourche / Fork / Horquilla 0.8


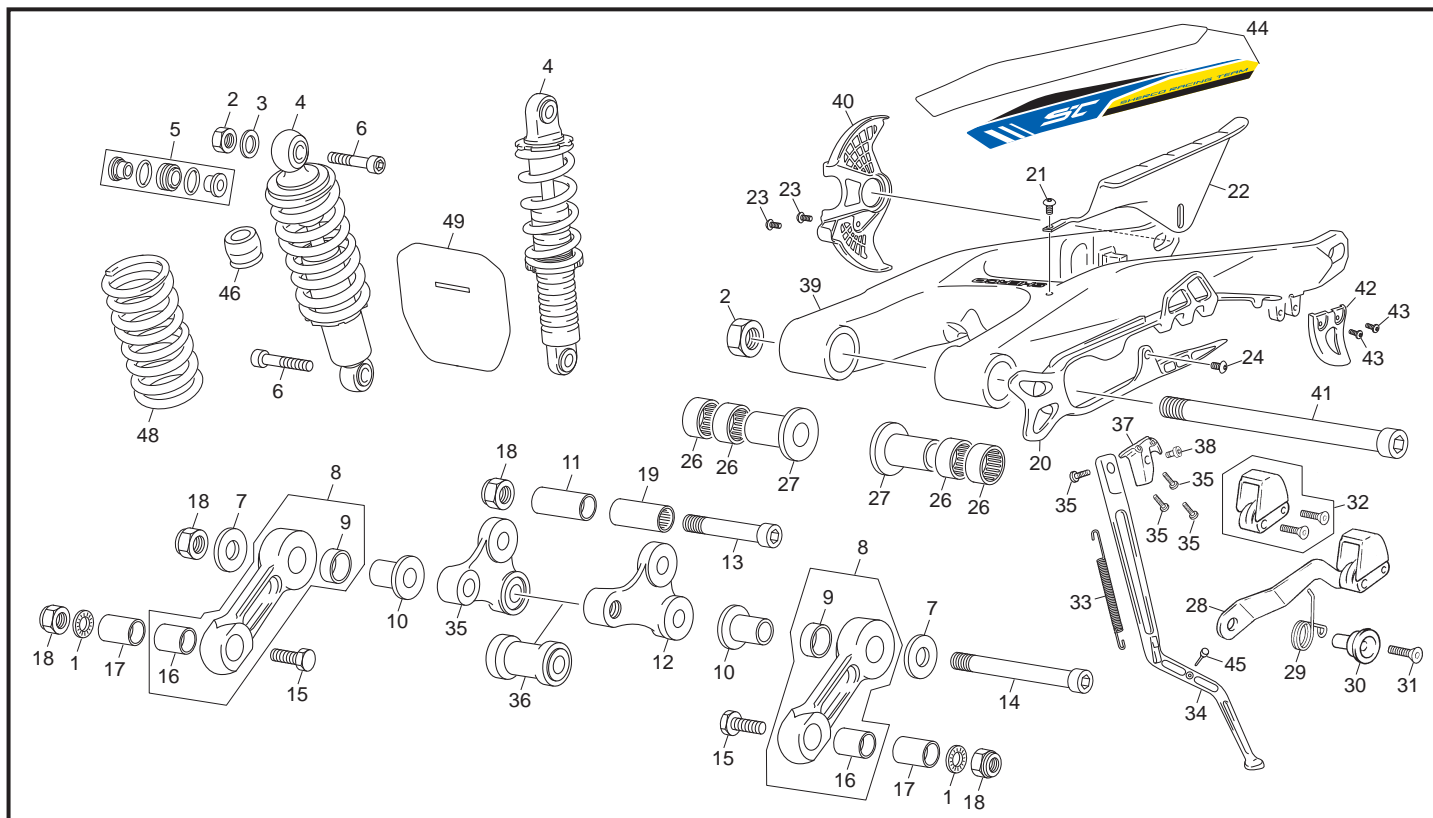
POS.	0.8	FRANÇAIS	ENGLISH	ESPAÑOL
1	2281	GRUPE JAMBES MICRO CROME CPL TRIAL '10	GROUP SWEEP MICRO CROME CPL TRIAL '10	GRUPO BARRAS MIC. CROMO CPL TRIAL '10
2	3110	JAMBE GAUCHE FOURCHE 2010	FORK LEFT LEG 2010	BOTELLA IZQUIERDA HORQUILLA 2010
3	3532	BOUCHON DROITE	FORK CAP RIGTH	TAPÓN DERECHO
4	3533	BOUCHON GAUCHE	FORK LEFT	TAPÓN IZQUIERDO
5	3112	TUBE FOURCHE GAUCHE 2010	LEFT FORK TUBE 2010	BARRA HORQUILLA IZQUIERDA 2010
6	R134	ENTRETOISE DU	SPACER	CASQUILLO DU
7	R070	JOINT SPIE DE FOURCHE	FORK OIL SEAL	RETÉN
8	R113	CIRCLIP JOINT SPIE	CIRCLIP OIL SEAL	CIRCLIP RETÉN
9	R096	PARE POUSSIERE FOURCHE	DUST SEAL	GUARDAPOLVO
10	1397	GRUPE T DE FOURCHE INFERIEUR	BOTTOM PLATE BLACK	PLATINA INF. NEGRA
11	R223	CONE	CONE	CONO
12	R131	RONDELLE APUIE	WASHER FORK	ARANDELA APOYO
13	R224	VIS CHC 10X30 FOURCHE	BOLT M10X30	TORNILLO M10X30 D.912
14	R133	DU JAMBE 2000	SPACER	CASQUILLO DU BOTELLA
15	1170	RONDELLE ECROU AXE DIRECTION	RING NUT	TUERCA DIRECCIÓN
16	1398	FOURCHE SUPERIEUR NOIRE	UPPER PLATE BLACK	PLATINA SUPERIOR NEGRA
17	R108	ECROU SUPERIEUR	NUT	TUERCA SUPERIOR
18	1237	VIS CHC M8X35	BOLT M8X35	TORN. ALLEN M8X35 D.912
19	1395	BRIDE GUIDON SUPERIEURE 07	TOP BAR U-CLAMP 07 BLACK	BRIDA SUPERIOR MANILLAR 07 NEGRA
20	R226	RONDELLE 10X17X1,5 FURCHE 2001	WASHER 10X17X1,5	ARANDELA 10X17X1.5
21	R227	ANEAU ELASTIQUE	NUT	ANILLO ELÁSTICO
22	1063	RESSORT FOURCHE	SPRING	MUELLE
23	R111	ENTRETOISE RESSORT FOURCHE	TOP BUSHING	TOPE MUELLE
24	R071	GRUPE GARNITURE FOURCHE COMP.	FORK BUSHING AND SEAL KIT	KIT REPARACIÓN RETÉN
25	R132	ENTRETOISE DU	SPACER	SEPARADOR DU
26	3111	JAMBE DROITE FOURCHE 2010	FORK RIGHT LEG 2010	BOTELLA DERECHA HORQUILLA 2010
27	R228	VALVE DE COMPRESSION	PLASTIC COMPRESSION VALVE	VÁLVULA DE COMPR.
28	R135	RONDELLE APPUI RESSORT 2000	SPRING COLLAR	APOYO MUELLE
29	M261	VIS CHC 8X20	SCREW CHC 8X20	TORNILLO 8X20 ALLEN
30	R230	TORIQUE FOURCHE	ORING	TÓRICA CIERRE
31	3113	TUBE FOURCHE DROITE 2010	RIGHT FORK TUBE 2010	BARRA HORQUILLA DERECHA 2010
32	3173	ADHESIF FOURCHE TR 11 -JEU-	STICKERS FORK TR 11 -SET-	ADHESIVO HORQUILLA TR 11 -JGO-
33	1589	ADHESIF LOGO CERIANI	CERIANI LOGO STICKER	ADHESIVO LOGO CERIANI
34	1055	GRUPE POMPE	GROUP POMP	GRUPO BOMBA

Fourche / Fork / Horquilla 0.8



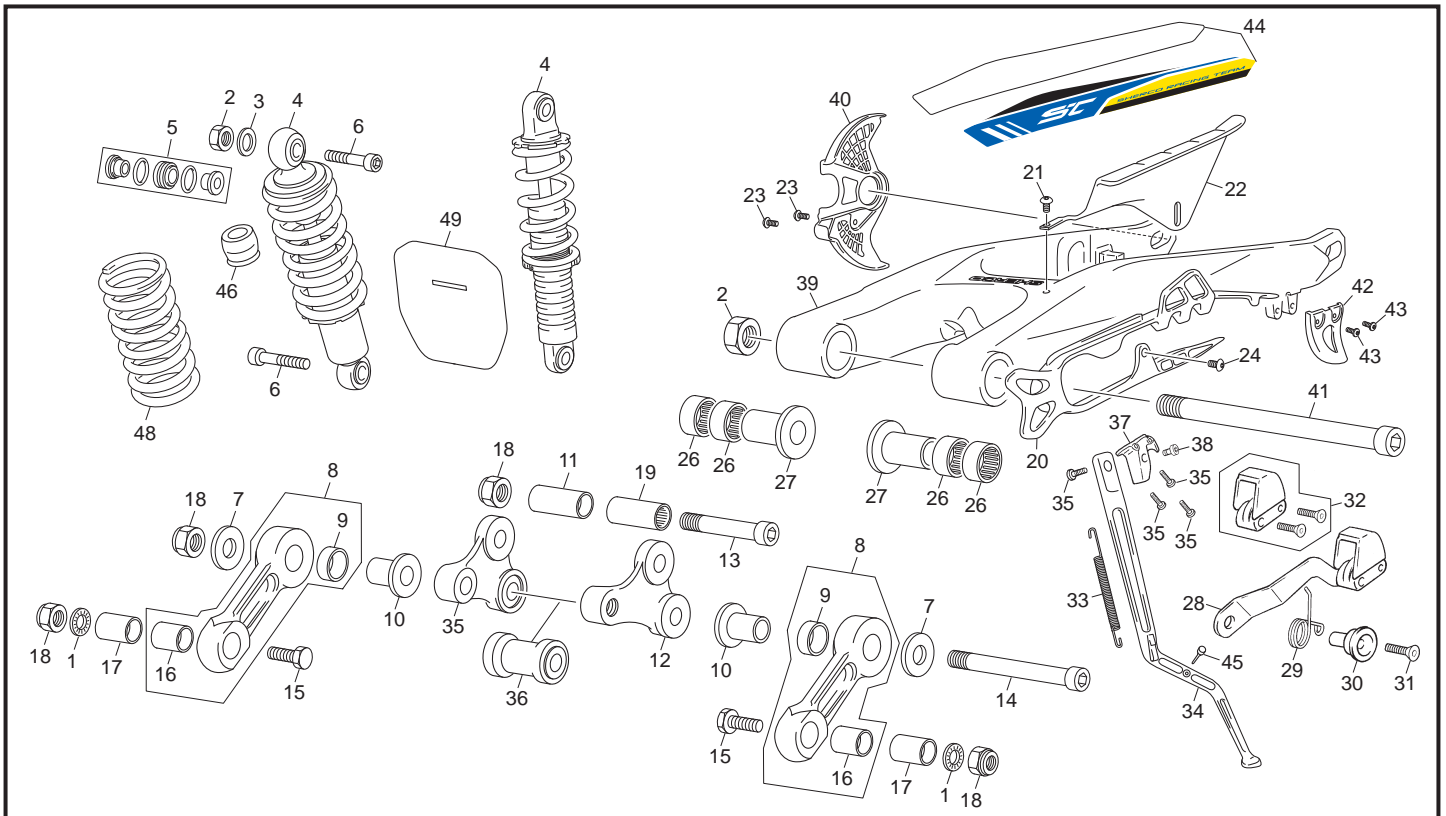
POS.	0.8	FRANÇAIS	ENGLISH	ESPAÑOL
35	1059	GROUPE CARTOUCHE	PLUNGER ASSEMBLY	CONJ. BOMBEO
36	R224	VIS CHC 10X30 PARE DISC PAIOLI	SCREW CHC 10X30 WITH HOLE	TORNILLO 10X30 ROSCA INTERIOR
37	1396	BRIDE INFERIEUR TRIAL 07 NOIRE	U-CLAMP INF. HANDBAR TRIAL 07	BRIDA INFE. TRIAL 07 NEGRA
38	1166	AXE ALUMINIUM	ANS ALUMINIUM	EJE ALUMINIO
39	2359	GUIDE DURITE FREIN AV 2010	GUIDE FRONT BRAKE HOSE 2010	GUIA LATIGUILLO FRENO DEL 2010
40	M258	VIS BHC 5 X 16 1093	SCREW BHC 5 X 16	TORNILLO 5 X 16 ULS
41	0547	VIS TH EP 6 X 30	SCREW TH EP 6 X 30	TORNILLO TH EP 6 X 30

Amortisseur - Bras oscillant / Rear Shock - Swingarm / Amortiguador - Basculante

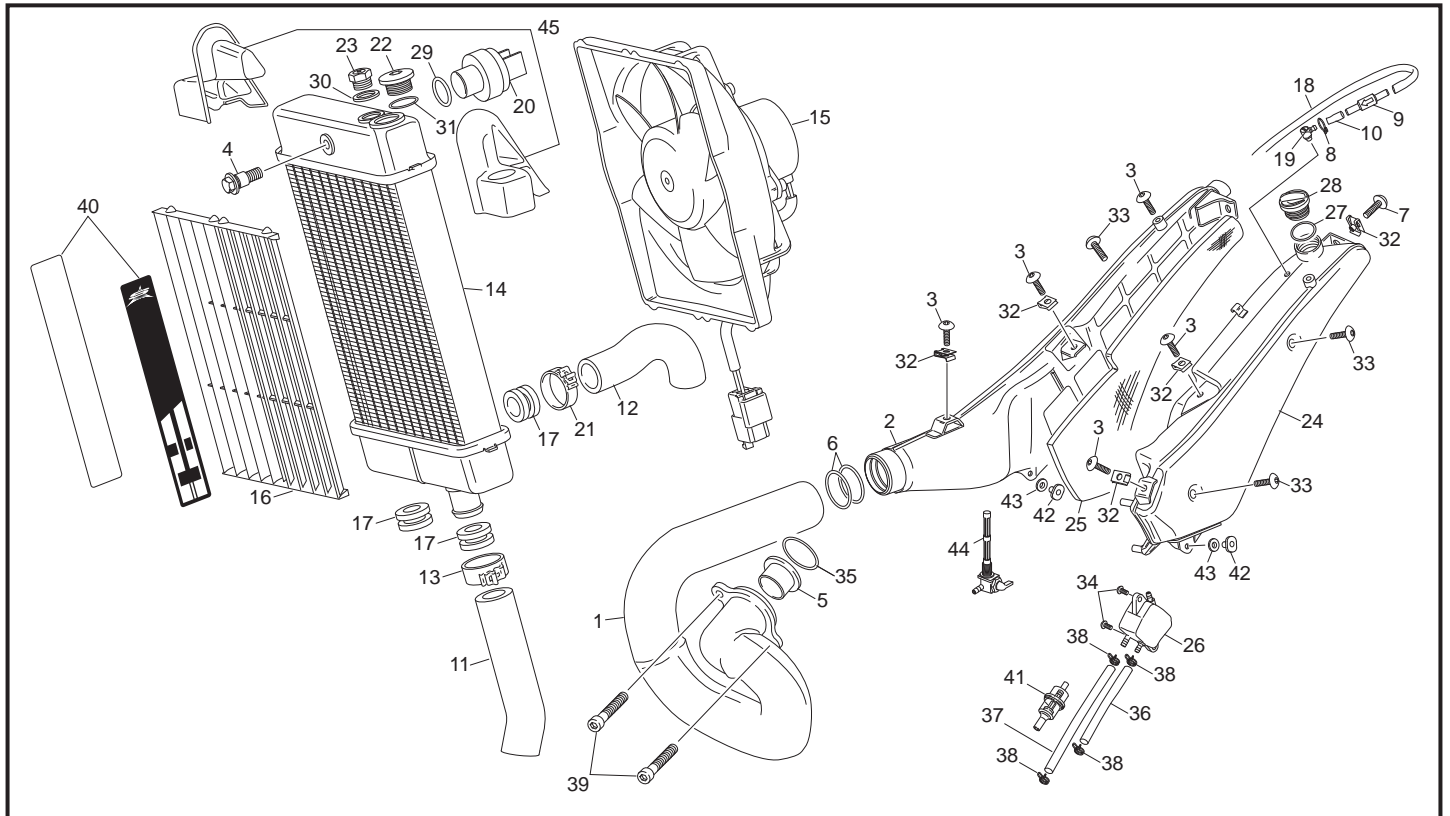


POS.	0.8	1.2	2.5	2.9	FRANÇAIS	ENGLISH	ESPAÑOL
1	1432	1432	1432	1432	RONDILLE AET 8	WASHER X AET 8	ARANDELA AET 8
2	M310	M310	M310	M310	ECROU PLAT M14 X 150 0319	NUT PLAT M14 X 150	TUERCA REBAJADA M14 X 150
3	M315	M315	M315	M315	RONDILLE X 10 1405 010	WASHER X 10	ARANDELA X 10 DIN 125 A
4	2829	2829	2829	3610	AMORTISSEUR TRIAL 2010	REAR SHORK TRIAL 2010	AMOTIGUADOR TRIAL 2010
5	1685	1685	1685	1685	KIT ROTULE AMORTISSEUR 2008	SHORK ROTULE SET 2008	KIT ROTULA AMORTGUADOR 2008
6	C173	C173	C173	C173	AXE 10 X 42	PIN10 X 42	EJE 10 X 42
7	M320	M320	M320	M320	RONDILLE 10 X 30 X 2.5 0416	WASHER 10 X 30 X 2.5	ARANDELLA 10 X 30 X2.5 DIN 9021
8	C157	3447	3447	3447	BIELETTE TIRANT SIMPLE TRIAL 2012	REAR SUSPENSION LINK TRIAL 2012	BIELETA SUSPENSION TRIAL 2012
9	2945	2945	2945	2945	DOUILLE FRICTION 16X18X15	BEARING FRICTION 16X18X15	COJINETE FRICCION 16X18X15
10	C171	C171	C171	C171	ENTRETOISE TIRANT EPAULEE	LINK SPACER	CASQUILLO BIELETA CON ARANDELA
11	C152	C152	C152	C152	ENTRETOISE SUSPENSION	SPACER SUSPENSION	CASQUILLO SUSPENSION
12	2930	3445	3445	3445	BIELETTE DELTA SEMI G TRIAL 2012	REAR SUSP HALF L DELTA LINK TRIAL '12	TRAPECIO SUSPENSION SEMI I TRIAL'12
13	C174	C174	C174	C174	AXE 10 X 72	PIN 10 X 72	EJE 10 X 72
14	C172	C172	C172	C172	AXE 10 X 20	PIN 10 X 120	EJE 10 X 120
15	C175	C175	C175	C175	VIS HEXA TETE BASSE	SPECIAL HEAD SCREW HEX	TORNILLO HEX C/REBAJADA
16	2946	2946	2946	2946	DOUILLE FRICTION 14X16X15	BEARING FRICTION 14X16X15	COJINETE FRICCION 14X16X15
17	C170	C170	C170	C170	ENTRETOISE TIRANT	LINK SPACER	CASQUILLO BIELETA
18	M305	M305	M305	M305	ECROU NYLSTOP M8 0368.8	NUT NYLSTOP M8	TUERCA NYLSTOP M8
19	C167	C167	C167	C167	DO. AIGUILLE BRAS/ SUSP HK 16X20X2RS	BEARING HK 16202RS	CASQ. AGUJAS BASC/SUSP HK16202RS
20	1207	1207	1207	1207	PATIN DE CHAINE 07 TRIAL	CHAIN GUIDE PLATE 07 TRIAL	PATIN CADENA 07 TRIAL
21	M258	M258	M258	M258	VIS BHC 5 X 16 1093	SCREW BHC 5 X 16	TORNILLO 5 X 16 ULS
22	1208	1208	1208	1208	CARTER DE CHAINE 07	CHAIN PROTECTOR 07	CUBRE CADENAS 07
23	M282	M282	M282	M282	VIS BHC 6 X 10 1093	SCREW BHC 6 X 10	TORNILLO 6 X 10 BHC
24	M278	M278	M278	M278	VIS BHC 5 X10 1093	SCREW BHC 5X10	TORNILLO 5 X 10 ULS
26	C151	C151	C151	C151	DOUILLE AIGUILLE BRAS HK 20X20X2 RS	BEARING HK 20X20X2RS	CASQ.AGUJAS BASCULA. HK20X20X2RS
27	C153	C153	C153	C153	ENTRETOISE ARTICULATION BRAS	SPACER SWING ARM	CASQUILLO EJE BASCULANTE
28	C164	C164	C164	C164	TENDEUR DE CHAINE	CHAIN TENSIONER	TENSOR CADENA
29	R205	R205	R205	R205	RESSORT TENDEUR DE CHAINE	SPRING CHAIN TENSIONER	MUELLE TENSOR CADENA
30	R206	R206	R206	R206	ENTRETOISE TENDEUR DE CHAINE	SPECER CHAIN ADJUST	CASQUILLO TENSOR CADENA
31	M300	M300	M300	M300	VIS FHC 8 X 35 1089	SCREW FHC 8 X 35	TORNILLO AVELLANADO M8 X 35
32	R047	R047	R047	R047	CAOUTCHOUC TENDEUR SEUL	CHAIN STRETCHER PLATE	GOMA TENSOR CADENA
33	C161	C161	C161	C161	RESSORT DE BEQUILLE	SIDE STAND SPRING	MUELLE CABALLETE
34	1480	1480	1480	1480	BEQUILLE SEULE ALU 2008	LATERAL STAND 2008	CABALLETE ALUMINIO 2008
35	M281	3444	3444	3444	BIELETTE DELTA SEMI D TRIAL 2012	REAR SUSP HALF R DELTA LINK TRIAL 2012	TRAP. SUSPENSION SEMI D TRIAL '12
36	----	3446	3446	3446	ENTRETOISE BIELETTE DELTA TRIAL 2012	DELTA LINK SPACER TRIAL 2012	CASQ. TRAPECIO SUSPENSION TRIAL'12

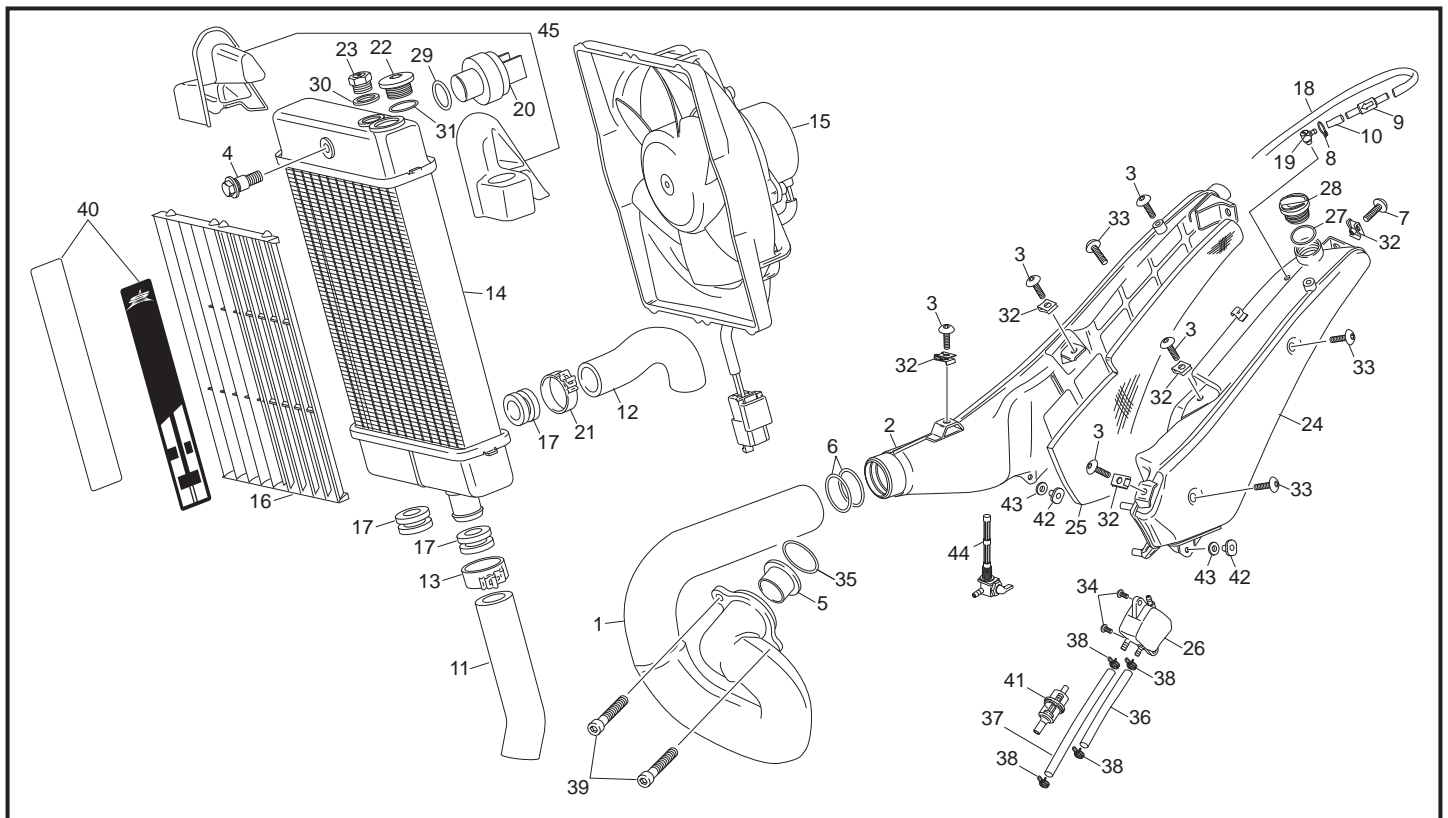
Amortisseur - Bras oscillant / Rear Shock - Swingarm / Amortiguador - Basculante



POS.	0.8	1.2	2.5	2.9	FRANÇAIS	ENGLISH	ESPAÑOL
37	2892	2892	2892	2892	SUPPORT DE BEQUILLE SANS BUTEE	STAND HOLDER WITHOUT RETAIN	SUPORTE CABALLETE SIN TOPE
38	C166	C166	C166	C166	VIS SPECIALE BEQUILLE	SIDE STAND SPECIAL BOLT	TORNILLO ESPECIAL CABALLETE
39	1093	1093	1093	1093	BRAS OSCILLANT 07	SWINGARM 07	BASCULANTE 07
40	2024	2024	2024	2024	PROTECTEUR DISC ARIERE 09 NOIR TR	PROTECTOR BRAKE DISC BACK 09 BLACK	PROT. R DISCO TRASERO NEGRO 09
41	C154	C154	C154	C154	AXE BRAS OSCILLANT	ALUMINIUM SWINGARM AXLE	EJE BASCULANTE ALUMINIO
42	2026	2026	2026	2026	PROTECTEUR COURRONE NOIR TR	PROTECTEUR SPROKET BLACK TR	PROTECTOR CORONA NEGRO TR
43	M278	M278	M278	M278	VIS BHC 5 X10 1093	SCREW BHC 5X10	TORNILLO 5 X 10 ULS
44	3599	3172	3172	3172	ADHESIF BRAS TR 11	SWINGARM STICKER TR 11	ADHESIVO BASCULANTE TR 11
45	1663	1663	1663	1663	CAUT.DE MAINTIEN BEQUILLE TRIAL 08	STAND SIDE RUBER TRIAL 08	GOMA CABALETE 08
46	1686	1686	1686	1686	BUTEEE CAUTCHOU AMORTISSEUR 08	RUBBER TOP AMORTGUADOR 08	GOMA TOPE AMORTGUADOR 08
48	3545	3545	3645	----	RESSORT AMORTISSEUR TRIAL	AMORTGUADOR SPRING TRIAL	MUELLE AMORT. TRIAL 8.3 KG/MM
49	3425	3425	3425	3425	BAVETTE AMORTISSEUR SSDT	SHOCK ABSORBER PROTECTOR SSDT	PROTECTOR AMORTIGUADOR SSDT

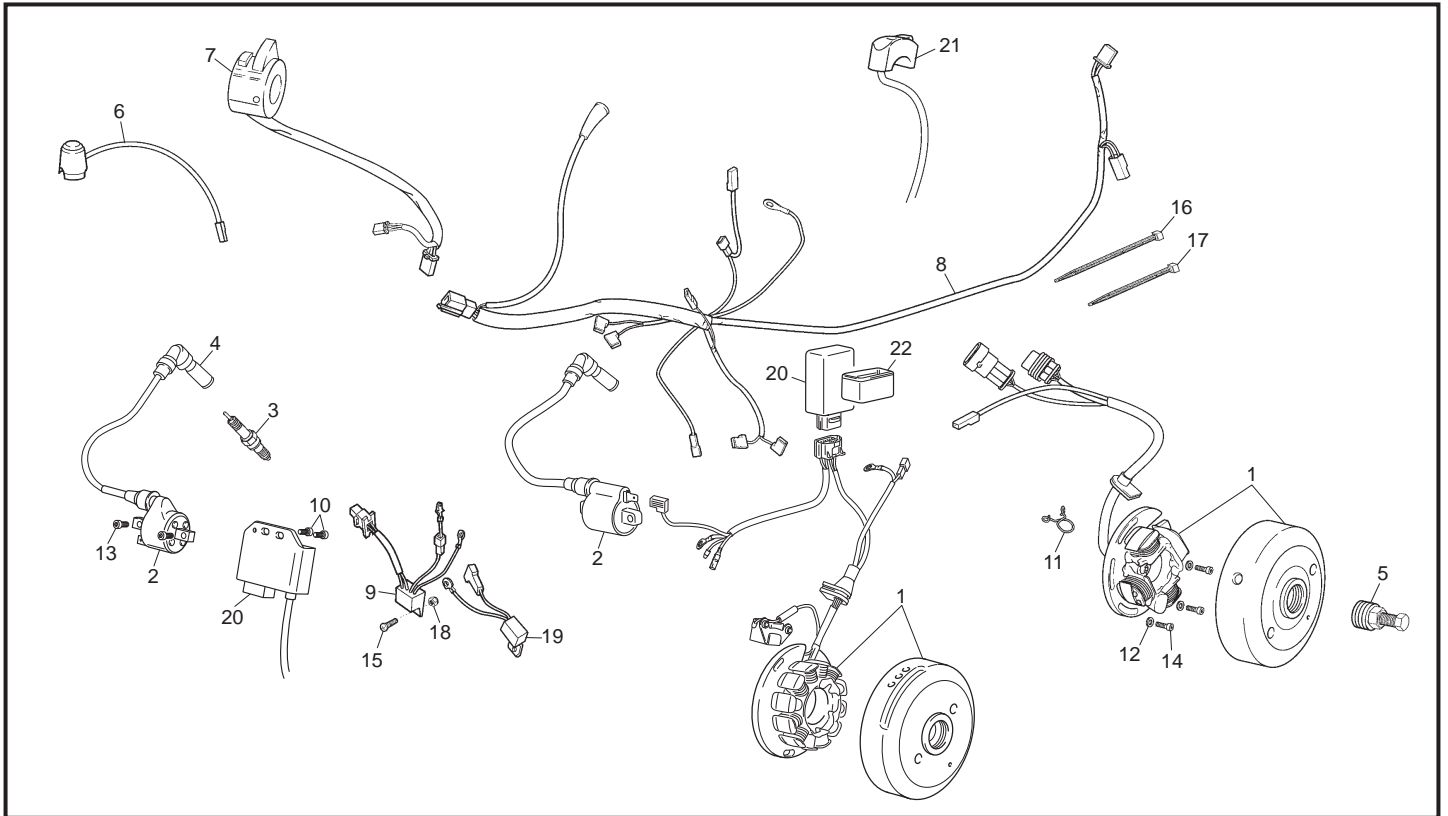
Radiateur / Radiator / Radiador


POS.	0.8	1.2	2.5	2.9	FRANÇAIS	ENGLISH	ESPAÑOL
1	3268	3268	3268	3268	TUBE ECHAPPEMENT 2.5-2.9 2011	EXHAUST PIPE 2.5-2.9 2011	CURVA DE ESCAPE 2.5- 2.9 2011
2	2259	3591	3591	3591	POT CENTRAL ALU 2T 2012	EXH CENTRAL ALU 2012	SILENCIOSO CENTRAL ALU 2012
3	M345	M345	M345	M345	VIS BHC 6 X 12 CARROSSERIE	SCREW BHC 6 X 12 BODY	TORNILLO BHC 6 X 12 CARROSSERIA
4	1289	1289	1289	1289	VIS COUVERCLE SUPERIEUR 4T TRIAL 07	SCREW 07	TORNILLO TAPA SUPERIOR 4T TRIAL 07
5	2834	2834	----	----	REDUCT. ECHAPPEMENT 125CC 2010	REDUCTION EXHAUST 125CC 2010	REDUCTOR ESCAPE 125CC 2010
6	C104	C104	C104	C104	JOINT TORIQ. POT CENT. 44 X 51 X 3,50	O-RING MIDDLE SILENC. 44 X 51 X 3,50	TORICA SILEN. CENTRAL44 X 51 X 3,50
7	M269	M269	M269	M269	VIS BHC 6 X 20 CARROSSERIE	SCREW BHC 6 X 20 CARROSSERIE	TORNILLO 6 X 20 ESPECIAL CARROCERIA
8	2846	2846	2846	2846	COLLIER DURITE ESSENCE	COLLARD PETROL PIPE	ABRAZADERA TUBO GASOLINA
9	2365	2365	2365	2365	VALVE ANTI RETOUR	ANTI RETURN VALVE	VALVULA ANTI RETORNO
10	----	NEW	NEW	NEW			
11	3139	3432	3432	3432	DURITE CARTER RADIATEUR TR 12	RUBBER TUBE CRANKSHAFT/RAD. TR 12	MANGUITO CARTER/RADIADOR TR 12
12	2367	3140	3140	3140	DURITE CULASSE RADIATEUR TR 12	RUBBER CILYNDER HEAD RAD. TR 12	MANGUITO CULATA/RADIADOR TR 12
13	C029	C114	C114	C114	COLLIER DURITE NORMA VERT 21	COLLARD NORMA GREEN 21	ABARAZADERA MANGUITOS VERDE 21
14	3127	3127	3127	3127	RADIATEUR 2T 2011	RADIATOR 2S 2011	RADIADOR 2T 2011
15	1523	1523	1523	1523	VENTILATEUR COMEX 120	FAN DIAM COMEX 120	VENTILADOR COMEX 120
16	C713	C713	C713	C713	GRILLE RADIATEUR 06	RADIATOR PROTECTOR 06	REJILLA RADIADOR 06
17	C118	C118	C118	C118	SILENT BLOC RADIATEUR	SILENT-BLOC RADIATOR	SILENT-BLOC RADIADOR
18	----	NEW	NEW	NEW			
19	2274	2274	2274	2274	RACORD MISE A L'AIR TR 2010	RACORD AIR INSIDE TR 2010	RACORD ENTRADA AIRE TR 2010
20	2256	2256	2256	2256	THERMOCONTACT 2T 2010 75-68	THERMOSTAT 2T 2010 75-68	TERMOCONTACTO 2T 2010 75-68
21	C114	C114	C114	C114	COLLIER DURITE NORMA VERT 21	COLLARD NORMA GREEN 21	ABARAZADERA MANGUITOS VERDE 21
22	2906	2906	2906	2906	BOUCHON RADIATEUR TRIAL 2010	RADIATOR TAP TRIAL 2010	TAPON RADIADOR TRIAL 2010
23	2269	2269	2269	2269	VALVE PRESSION RADIATEUR	PRESSION VALVE RADIATOR	VALVULA PRESSION RADIADOR
24	3159	3609	3609	3609	RESERVOIR TRIAL ALU 12	PETROL TANK TRIAL ALU 12	DEPOSITO TRIAL ALU 12
25	2363	2363	2363	2363	PROTECTEUR TERM. RESERVOIR TR 2010	THERMIC PROT. SIDE TANK TRIAL 2010	PROTECTOR TERMICO DEP. TRIAL 2010
26	2311	2311	2311	2311	POMPE A ESSENCE TRIAL	PETROL PUMP TRIAL	BOMBA DE GASOLINA TRIAL
27	2320	2320	2320	2320	JOINT BOUCHON ESSENCE TRIAL 2010	SEAL PETROL CAP TRIAL 2010	JUNTA TAPON GASOLINA TRIAL 2010
28	2270	2270	2270	2270	BOUCHON ESSENCE 2010	PETROL CAP 2010	TAPON GASOLINA 2010
29	M651	M651	M651	M651	JOINT 13.10 X 1.6 SORTIE EAU 4T TRIAL	WATER EXIT O SEAL 13.10 X 1.6 4T TRIAL	TORICA 13.105 X 1.6 TUB. SAL. AGUA 4T
30	2860	2860	2860	2860	RONDELLE ALU 8X12X1	WASHER ALU 8X12X1	ARENDELA ALU 8X12X1
31	M168	M168	M168	M168	TORIQUE 14 X18X2	O RING 14X18X2	TORICA 14X18X2
32	M308	M308	M308	M308	ECROU CLIP M6 0500500400	NUT CLIP M6	TUERCA CLIP M6

Radiateur / Radiator / Radiador


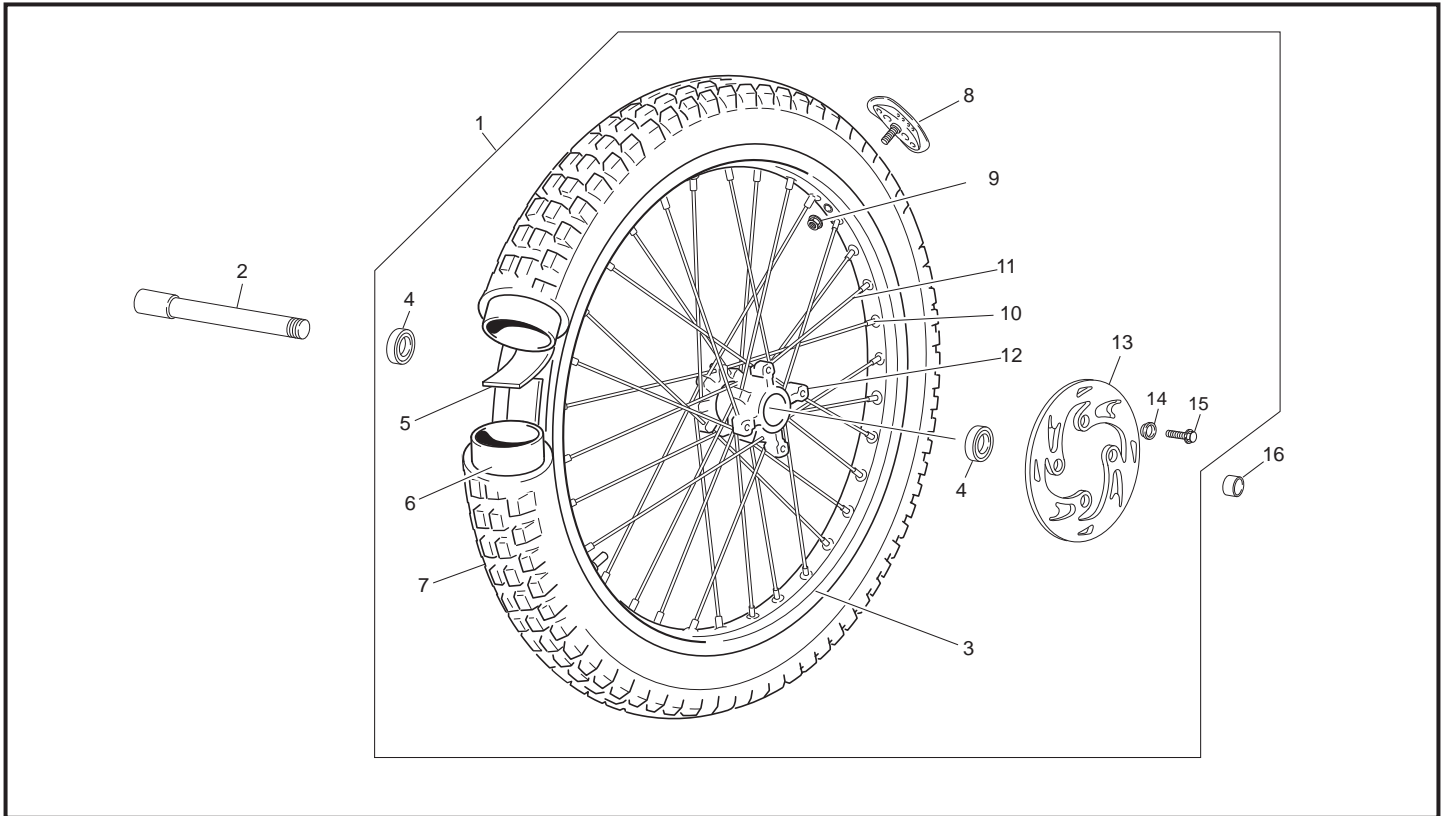
POS.	0.8	1.2	2.5	2.9	FRANÇAIS	ENGLISH	ESPAÑOL
33	2937	2937	2937	2937	VIS BHC 5 X8 ISO 7380	SCREW BHC 5 X8	TORNILLO ULS 5 X 8 ISO 7380
34	M258	M258	M258	M258	VIS BHC 5 X 16 1093	SCREW BHC 5 X 16	TORNILLO 5 X 16 ULS
35	C122	C122	C122	C122	JOINT CUIVRE 38X44X2.5 0462	GASKET RING 38X44X2.5	JUNTA COBRE 38X44X2.5
36	NEW	NEW	NEW	NEW	DURITE ESSENCE PETIT	SMALL PETROL HOSE	TUBO GASOLINA CORTO
37	NEW	NEW	NEW	NEW	DURITE ESSENCE LARGE	LONG PETROL HOSE	TUBO GASOLINA LARGO
38	2846	2846	2846	2846	COLLIER DURITE ESSENCE	COLLARD PETROL PIPE	ABRAZADERA TUBO GASOLINA
39	2937	2937	2937	2937	VIS BHC 5 X8 ISO 7380	SCREW BHC 5 X8	TORNILLO ULS 5 X 8 ISO 7380
40	4231	3603	3602	3597	ADHESIF ST 0.8 TR 12 JEU	ST 0.8 STICKER TR 12	ADHESIVO ST 0.8 TR 12 JUEGO
41	3185	3185	3185	3185	FILTRE A ESSENCE	PETROL FILTER	FILTRO GASOLINA
42	3193	3193	3193	3193	ENTRETOISE SILENTBLOCK	BUSH SILENTBLOCK	CASQUILLO SILENTBLOCK
43	3194	3194	3194	3194	CAUCHOUÇ SILENTBLOCK	SILENTBLOCK RUBBER	CAUCHO SILENTBLOCK
44	----	3638	3638	3638	ROBINET ESSENCE 2012	PETROL TAP 2012	GRIFO GASOLINA 2012
45	----	3716	3716	3716	PROTECTEUR HAUT RADIATEUR PAIRE	PROTECTOR TOP RADIATOR KIT	PROTECTOR ALTO RADIADOR JUEGO

Faisceau électrique / Electrical system / Instalación eléctrica



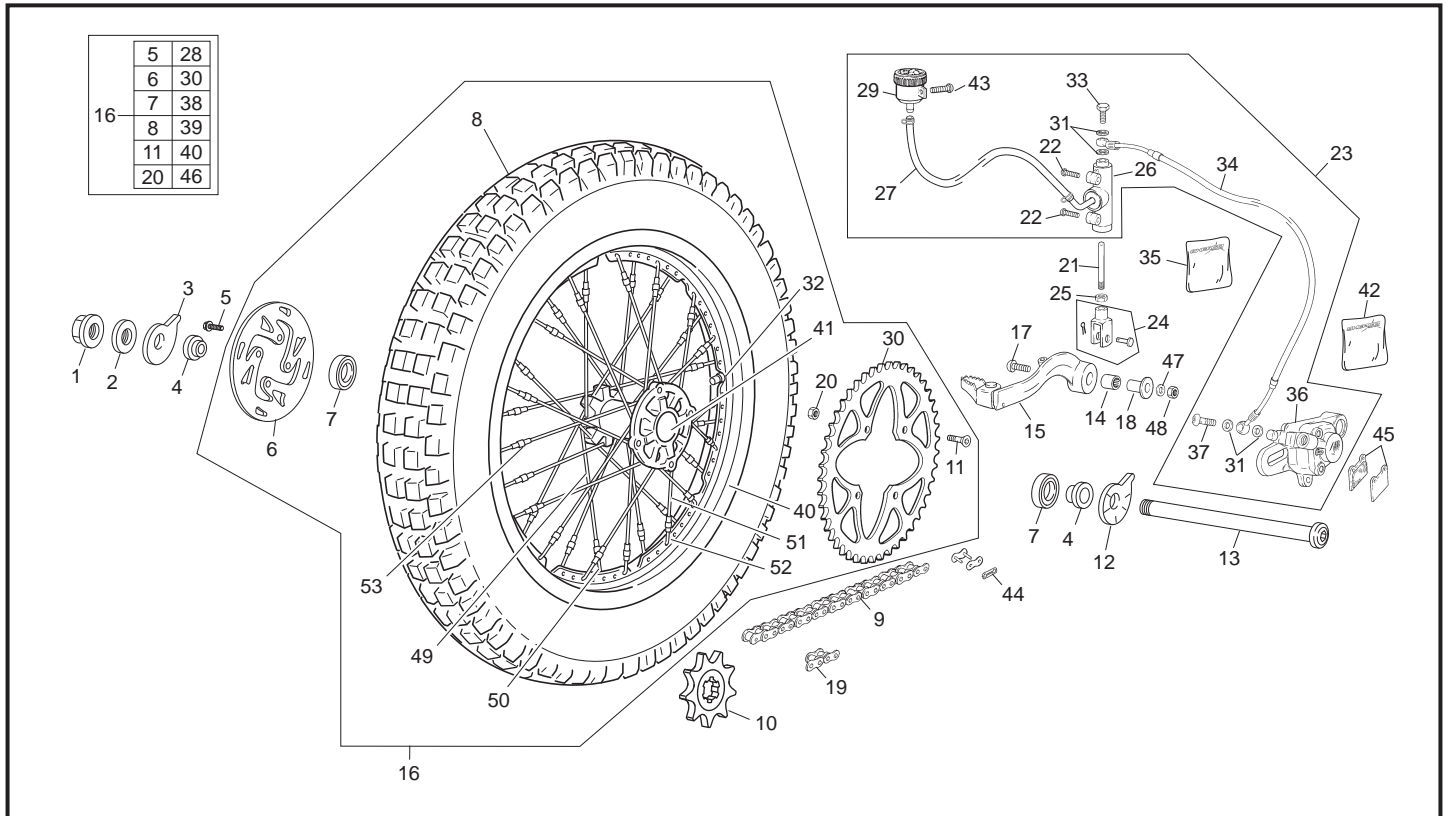
POS.	0.8	1.2	2.5	2.9	FRANÇAIS	ENGLISH	ESPAÑOL
1	2973	2973	2817	3579	ALLUM. CPL 125 LEON. DIG. 2T 8 P.2010	INGN. CPL 125 LEON. DIG. 2T 8P. 2010	ENCEN. LEON. CPL 125 DIG. 2T 8P. 2010
2	2818	2818	2818	3581	BOBINE TRIAL + ANTIPARASITE 2T 2010	ELECTRONIC BOX TRIAL 2T2010	BOBINA AT + TERM BUJIA 2T 2010
3	M183	M183	M183	M183	BOUGIE COMP	SPARK PLUG	BUJIA COMP
4	M184	M184	M184	M184	ANTIPARASITE	SPARK PLUG CAP	PIPA BUJIA
5	R075	R075	R075	R075	OUTIL EXTRACTEUR ROTOR ALLUMAGE	PULLER FOR FLYWEEL	EXRTACTOR ENCENDIDO
6	2972	2972	2972	2972	BOUTON STOP MOT. TRIAL D28 L 70,5	STOP ENGINE TRIAL D28 L 70,5	STOP MOTOR TRIAL D28 L 70,5
7	C038	C038	C038	C038	COMUTATEUR ELECTRIQUE	LIGT COMMAND	CONMUTADOR LUCES
8	2820	2820	2820	2820	FAISCEAU ELECTRIQUE PRINC. TRIAL 2010	ELECTRIC CABLE	CABLE ELECTICO
9	1681	1681	1681	1681	DIODE REDRESSEUSE VENT. COMEX	DIODE COMEX	RECTIFICADOR VENTILADOR COMEX
10	M282	----	M282	M282	VIS ULS 6X10	SCREW ULS 6X10	TORNILLO 6X10 ULS
11	----	M273	M273	M273	CAVALIER	CAVALIER	BRIDA
12	M275	M275	M275	M275	RONDELLE X5 0407 5	WASHER X5	ARANDELA 5 DIN 125 A
13	M251	----	M251	M251	VIS 6X16	SCREW 6X16	TORNILLO M6X16
14	M250	M283	M283	M283	VIS BHC 6 X 16 1093	SCREW BHC 6 X 16	TORNILLO 6 X 16 ULS
15	M306	M306	M306	M306	ECROU NYLSTOP M6 0368.6	NUT NYLSTOP M6	TUERCA NYLSTOP M6
16	M330	M330	M330	M330	COLLIER RISLAN 178 X 4.8	COLLIER 178 X 4.8	ABRAZADERA 178 X 4.8
17	M331	M331	M331	M331	COLLIER RISLAN100 X 2.5	COLLIER 100 X 2.5	ABRAZADERA 100X 2.5
18	M274	M274	M274	M274	RONDELLE GROSVER X 6 DIN 6798J 0428	WASHER GROSVER X 6 DIN 6798J 0428	ARANDELA GROSVER X 6 DIN 6798J 0428
19	M182	M182	M182	M182	REGULATEUR LEONELLI	REGULATOR	REGULADOR
20	2819	2819	2819	3580	CDI MOT. TR. DOUBLE COURBE 2T 125	CDI BOX ENG TR. DOUBLE CURBA 2T 125	CDI DIG. REPRO. TR. DOBLE CURVA 2T125
21	1380	1489	1489	1489	COMUTATEUR SELEC. DOUBLE COUBE 2T	COMMAND DOUBLE SELECTION 2T	CONMUTADOR SEL. DOBLE CURVA 2T
22	----	----	----	3586			

Roue avant / Front wheel / Rueda delantera



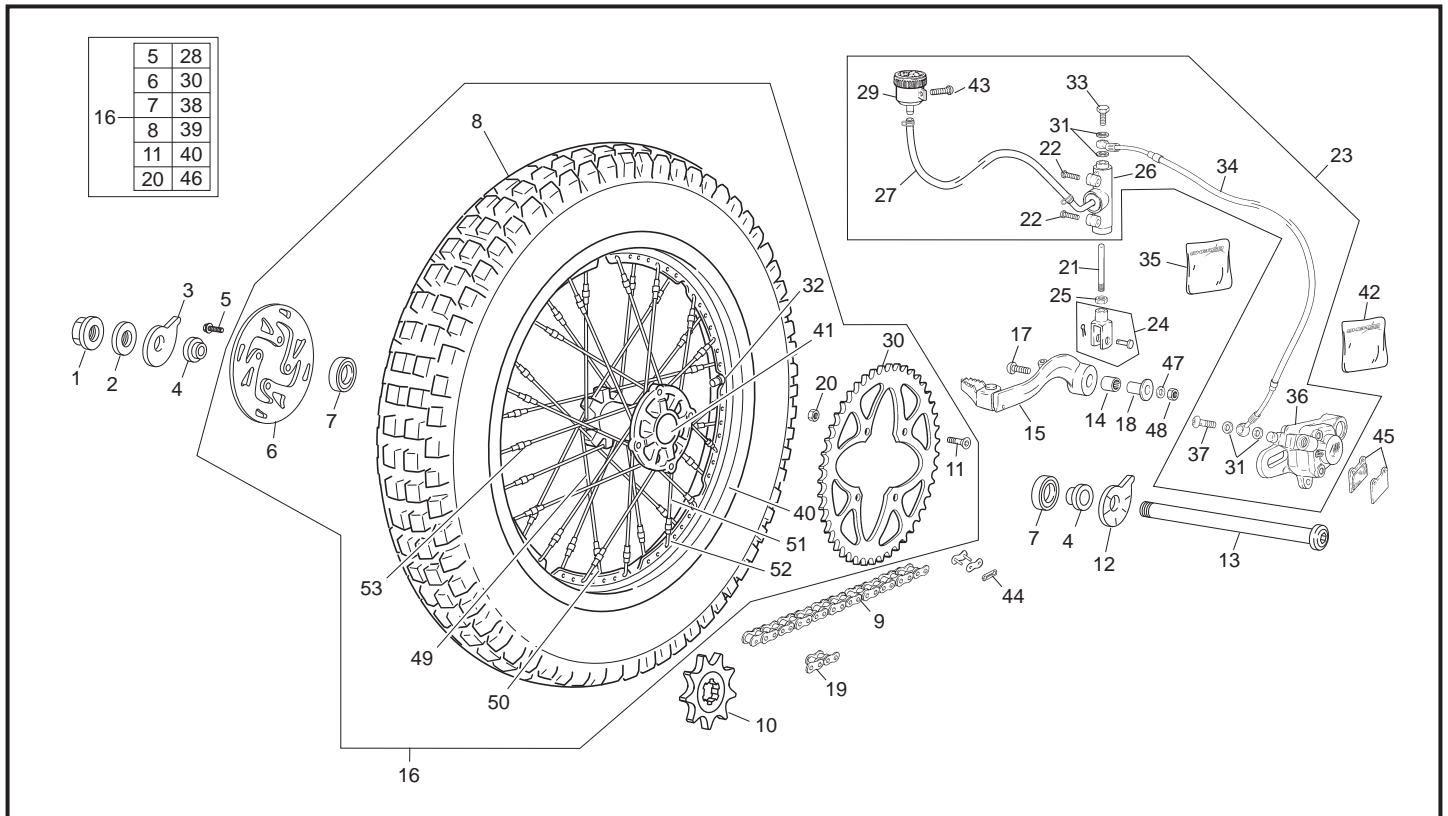
POS.	0.8	1.2	2.5	2.9	FRANÇAIS	ENGLISH	ESPAÑOL
1	3404	3404	3404	3404	ROUE AVANT TR. DORADE 011	FRONT WHEEL TR GOLDEN 011	RUEDA DELANTERA TR DORADA 011
2	C205	C205	C205	C205	AXE DE ROUE AVANT	FRONT WHEEL AXLE	EJE RUEDA DELANTERA
3	3396	3396	3396	3396	JANTE AVANT 1.60X21 32 RAYONS OR	FRONT RIM 1.60X21 32 R GOLD	LLANTA DELANT. 1.60X21 32 RAD. ORO
4	R049	R049	R049	R049	ROULEMENT DE MOYEU 6004 2RS	BEARING HUB 6004 2RS	RODAMIENTO BUJE 6004 2RS
5	C201	C201	C201	C201	RUBAN FOND DE JANTE R14025	RIM RUBBER PROTECTION	GOMA PROTECCION LLANTA
6	C202	C202	C202	C202	CHAMBRE A AIR 21AB	21 TUBE	CAMARA 21
7	C204	C204	C204	C204	PNEU AVANT 275X21	FRONT TIRE 2.75 X 21	NEUMATICO DELANTERO 2.75 X 21
8	C203	C203	C203	C203	GRISTER	TYRE STAY	AGARRACUBIERTAS
9	M305	M305	M305	M305	ECROU NYLSTOP M8 0368.8	NUT NYLSTOP M8	TUERCA NYLSTOP M8
10	3398	3398	3398	3398	ECROU DE RAYON AVANT M3.5X0.60	FRONT NEEPLE SPOCKE M3.5X0.60	TUERCA RADIO DELANTERO M3.5X0.60
11	3397	3397	3397	3397	RAYON 257 X 3 NEW NOIR	SPOCKE 257 X 3 NEW BLACK	RADIO 257 X 3 NUEVO NEGRO
12	C320	C320	C320	C320	MOYEU AVANT 2002	FRONT HUB 2002	BUJE DELANTERO 2002
13	2001	2001	2001	2001	DISQUE FREIN AVANT 2009 TR	FRONT DISC 2009 TR	DISCO DELANTERO 2009 TR
14	C209	C209	C209	C209	ENTRETOISE DISQUE AVANT	SPACER DISC	CASQUILLO FLOTANTE DISCO
15	C452	C452	C452	C452	VIS HEXAGONAL EPAULE M6 X 18	SCREW EXAGONAL M6 X 18	TORNILLO EXAGONAL M6 X 18
16	C333	C333	C333	C333	ENTRETOISE ROUE AVANT	FRONT BRUSH	SEPARADOR EJE RUEDA DELANTERA

Roue arriere / Rear wheel / Rueda trasera



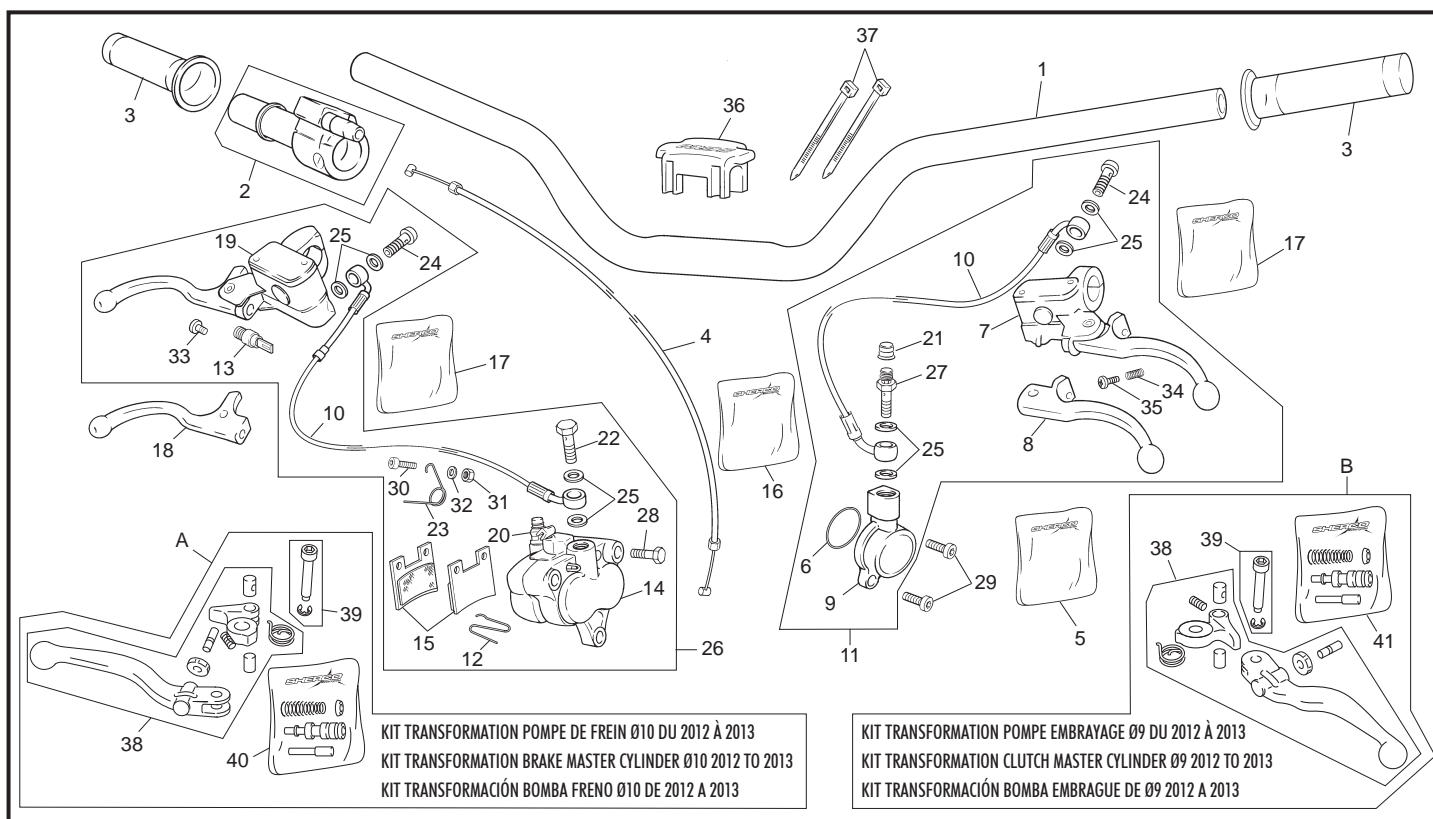
POS.	0.8	1.2	2.5	2.9	FRANÇAIS	ENGLISH	ESPAÑOL
1	C253	C253	C253	C253	ECROU ROUE ARRIERE	REAR AXLE NUT	TUERCA EJE RUEDA TRASERA
2	M314	M314	M314	M314	RONDELLE X 17 1405 016	WASHER X 17	ARANDELA X 17
3	C254	C254	C254	C254	EXCENTRIQUE DROIT TENDEUR CHAINE	RUNNER CHAIN	EXCENTRICA DERETCHA
4	C255	C255	C255	C255	ENTRETOISE ROUE ARRIERE	REAR BRUSH	SEPARADOR RUEDA TRASERA
5	M249	M249	M249	M249	VIS CHC TETE BASSE 6X20 SS TROU GUID.	SCREW CHC 6 X 20	TORNILLO M 6 X 20 CABEZA REBAJADA
6	2002	2002	2002	2002	DISQUE FREIN ARRIERE TR 2009	REAR DISC 2009 TR	DISCO FRENO TRASERO 2009 TR
7	R049	R049	R049	R049	ROULEMENT DE MOYEU 6004 2RS	BEARING HUB 6004 2RS	RODAMIENTO BUJE 6004 2RS
8	C251	C251	C251	C251	PNEU ARRIERE 400X18	REAR TYRE 400 X 18	NEUMATICO 400 X 18 TUBELESS
9	3376	3376	C265	C265	CHAINE 103M	CHAIN 103M	CADENA 103M
10	M227	M227	C267	C267	PIGNON 9 D	SPROCKET 9 T	PINON 9 D
11	M287	M287	M287	M287	VIS BHC 8 X 22	SCREW BHC 8 X 22	TORNILLO BHC 8 X 22
12	C256	C256	C256	C256	EXCENTR. GAUCHE TENDEUR CHAINE	LEFT REAR AXLE EXCENTRIC	EXCENTRICA IZQUIERDA
13	C326	C326	C326	C326	AXE ROUE ARRIERE 2002	AXELE BACK WHEEL 2002	EJE RUEDA TRAS 2002
14	2299	2299	2299	2299	DOUILLE BRONZE PEDALE FREIN TR	BEARING	CASQUILLO BRONCE PEDAL FRENO TR
15	C327	C327	C327	C327	PEDALE DE FREIN 2002	REAR BRAKE PEDAL 2002	PEDAL FRENO TRASERO 2002
16	4232	3406	3405	3405	ROUE ARRIERE 125 TR DORADE NER	BACK WHEEL 125 TR GOLDDED NER	RUEDA TRAS 125 TR DORADA NER
17	2326	2326	2326	2326	VIS BHC 8 X 35 NOIR	SCREW BHC 8X35 BLACK	TORNILLO M8 X 35 ULS NEGRO
18	C264	C264	C264	C264	ENTRETOISE PEDALE DE FREIN	SPACER BRAKE PEDAL	CASQUILLO PEDAL DE FRENO
19	----	----	----	C304			
20	M305	M305	M305	M305	ECROU NYLSTOP M8 0368.8	NUT NYLSTOP M8	TUERCA NYLSTOP M8
21	C261	C261	C261	C261	TIGE FREIN ARRIERE	PIN BRAKE ROD	TIJA PEDAL FRENO TRASERO
22	M284	M284	M284	M284	VIS BHC 6 X 25 1093 NOIRE	SCREW BHC 6 X 25 NEGRO	TONILLO 6 X 25 ULS BLACK
23	C321	C321	C321	C321	GROUPE FREIN ARRIERE 2002	REAR BRAKE COMPLETE 2002	CTO FRENO TRASERO 2002
24	C259	C259	C259	C259	CHAPE PEDALE FREIN 0267	REAR BRAKE ROD	HORQUILLA PEDAL DE FRENO
25	M309	M309	M309	M309	ECROU STANDARD M6 0317	NUT M6	TUERCA M6
26	C385	C385	C385	C385	POMPE FREIN AR 9.5	REAR MASTER CYLINDER 9.5	BOMBA FRENO TRASERO 9.5
27	R069	R069	R069	R069	TUBE LIQ. FREIN BOCAL/POMPE L210	OIL TANK TUBE L 210	TUBO LIQUIDO FRENO L 210
29	R066	R066	R066	R066	BOCAL LIQUIDE FREIN	OIL TANK BRAKE	DEPOSITO LIQUIDO FRENO
30	M743	3341	C330	C330	COURRONE 48D 4 TROUS	REAR SPROKET 48D 4 HOLES	CORONA 48D 4 TALADROS
31	R074	R074	R074	R074	RONDELLE BANJO	ALUMINIUM SEAL	ARANDELLA BANJO
32	3631	3631	3631	3631	VALVE AR JANTE NER	TUBLESS VALVE RIM NER	VALVULA LLANTA NERVIO
33	R059	R059	R059	R059	VIS RACCORD M10 X 21	LINK SCREW M10 X 21	TORNILLO RACORD M10 X 21
34	C388	C388	C388	C388	DURITE FREIN ARRIERE 2002	REAR BRAK HOSE 2002	LATIGUILLO FRENO TRASERO 2002
35	R233	R233	R233	R233	KIT REPARATION POMPE FREIN AR 2002	KIT BACK CALIPER 2002	KIT REPARATION PINZA FRENO TR 2002

Roue arriere / Rear wheel / Rueda trasera



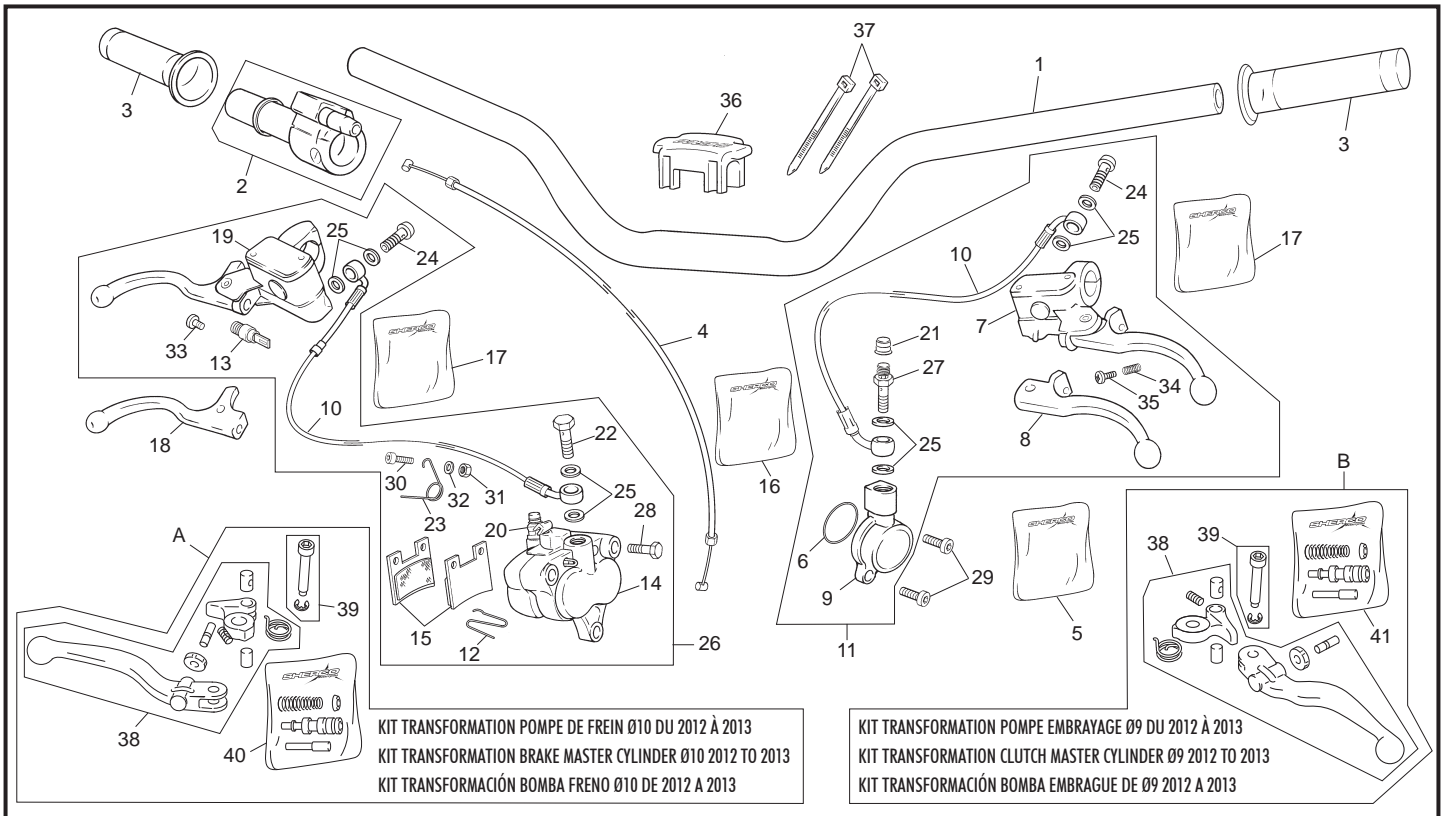
POS.	0.8	1.2	2.5	2.9	FRANÇAIS	ENGLISH	ESPAÑOL
36	C386	C386	C386	C386	ETRIER FREIN ARRIERE 2002	REAR CALIPER 2002	PINZA FREINO TRASERO 2002
37	R044	R044	R044	R044	VIS RACC. POMPE FRE/EMB M10X19 BHC	SCREW PUMP BRAKE/CLUTCH	RACORD BOMBA FRENO/EMB
40	3390	3390	3390	3390	JANTE ARRIERE OR NERVURE 32 RAYONS	REAR RIM GOLD NERVE 32 R	LLANTA TRASERA ORO NERVADA 32 R
41	C323	C323	C323	C323	MOYEU ARRIERE 2002	REAR HUB 2002	BUJE TRASERO 2002
42	R235	R235	R235	R235	KIT ETRIER ARRIERE 2002	KIT CALIPER BACK 2002	KIT PINZA FRENO TR 2002
43	M282	M282	M282	M282	VIS BHC 6 X 10 1093	SCREW BHC 6 X 10	TORNILLO 6 X 10 BHC
44	R034	R034	R034	R034	ATTACHE RAPIDE DE CHAINE	CONNECTING LINK	ENGANCHE CADENA
45	C390	C390	C390	C390	PLAQUETTES FREIN ARRRIERE PAIRE 2002	REAR PAD BRAKE PAIR 2002	JUEGO PASTILLAS TRESERO 2002
47	M316	M316	M316	M316	RONDELLE X 8 1405 08	WASHER X 8	ARANDELA 8 DIN 125 A
48	M305	M305	M305	M305	ECROU NYLSTOP M8 0368.8	NUT NYLSTOP M8	TUERCA NYLSTOP M8
49	3391	3391	3391	3391	RAY. DEMIE 165X3.5 NOIR COTE DISQUE	HALF SPOC. 165X3.5 BLACK SIDE BRAKE	RAD. SEMI 165X3.5 NEG. LADO DISC.
50	3392	3392	3392	3392	RAY. L MINI 34.5X3.5 COTE DIS. NO.	MINI SPOC. L 34.5X3.5 SIDE BRAKE BL.	RAD. L MINI 34.5X3.5 LADO DISC. NEG.
51	3393	3393	3393	3393	RAY. DEMIE 175X3.5 COTE COURO. NO.	HALF SPOC. 175X3.5 SIDE TRANS BLACK	RAD. SEMI 175X3.5 LADO CORO. NEG.
52	3394	3394	3394	3394	RAY. L MINI 35.5X3.5 COTE COURO. NO.	SPOC. L MINI 35.5X3.5 SIDE TRANS BL.	RAD. L MINI 35.5X3.5 LADO CORO. NE.
53	3395	3395	3395	3395	TENDEUR RAYON AR	REAR NIPPLE SPOCKE	TENSOR RADIO TRASERO

Guidon / Handlebar / Manillar



POS.	0.8	1.2	2.5	2.9	FRANÇAIS	ENGLISH	ESPAÑOL
1	3676	3676	3676	3676	GUIDON TRIAL 2012	HANDLEBAR TRIAL 2112	MANILLAR TRIAL 2012
2	C074	C074	C074	C074	COMMANDE DE GAZ	THROTTLE CONTROL	MANDO DE GAS
3	1662	1662	1662	1662	POIGNEE CAOUTCHOUC PAIRE REA	GRIPS SET REA	JUEGO EMPUNADURAS REA
4	C076	C076	C076	1362	CABLE DE GAZ	THROTTLE CABLE	CABLE DE GAS
5	R023	R023	R023	R023	KIT REPARATION PISTON EMBRAYAGE	KIT REPAIR CLUTCH CYLINDER	KIT REPARACION PISTON EMBRAGUE
6	R024	R024	R024	R024	TORIQUE 35 X 31 X 2 EMB/CARTER	O-RING 31 X 2 (CLUTCH)	TORICA 31 X 2 EMBRA/CARTER
7	R030	R030	R030	R030	POMPE EMB CPL	CLUTCH FRONT PUMP ASSY	CTO BOMBA EMB 9.5
8	R441	R441	R441	R441	LEVIER EMB SEUL POLI	FRONT CLUTCH LEVER POLISHING	MANETA EMB PULIDA
9	3210	3210	3210	3210	RECEPTEUR EMB CPL WI	RECEPTEUR CLUTCH CPL WI	PINZA EMBRAGUE CPL WI
10	3211	3211	3211	3211	DURITE EMBRAYAGE WI	CLUTCH HOSE WI	LATIGUILLO EMBRAGUE WI
11	3157	3157	3157	3157	GROUPE CPL EMB TR 11	COMPLETE CLUTCH SET TR 11	GRUPO EMBRAGUE COMPLETO TR 11
12	R042	R042	R042	R042	CLIP PLAQUETTES	CLIP PAD BRAKE	MUELLE PASTILLAS FRENO
13	R207	R207	R207	R207	CONTACTEUR FREIN AVANT	FRONT BRAKE ELECTRIC CONTACT	INTERUPTOR FRENO DEL
14	C387	C387	C387	C387	ETRIER FREIN AVANT DOUBLE PISTON	FRONT CALIPER 2 PISTON	PINZA FRENO DEL DOBLE PISTON
15	C389	C389	C389	C389	PLAQUETTES FREIN AVANT PAIRE 2002	FRONT PAD BRAK PAIR 2002	JUEGO PASTILLAS FRE. DEL JUEGO 2002
16	R234	R234	R234	R234	KIT ETRIER AVANT DOUBLE PIST 2002	KIT FRONT CALIPER 2002	KIT PINCA FRENO DEL 2002
17	R053	R053	R053	R053	KIT REPARATION POMPE FREIN	KIT REPAIR MASTER CYLINDER CPL FRONT	KIT REPARACION BOMBA DEL
18	R440	R440	R440	R440	LEVIER FREIN AVANT POLI SEUL	FRONT BRAKE LEVER POLISHING	MANETA FRENO DEL PULIDA
19	R056	R056	R056	R056	POMPE FREIN AV CPL	FRONT PUMP ASSY	BOMBA FRENO DEL
20	R057	R057	R057	R057	PURGEUR ETRIER AVANT	PURGE STIRRUP SCREW	SANGRADOR DELANTERO
21	R058	R058	R058	R058	CAPUCHON VIS DE PURGE	HOOD SCREW PURGE	TAPON SANGRADOR
22	R059	R059	R059	R059	VIS RACCORD M10 X 21	LINK SCREW M10 X 21	TORNILLO RACORD M10 X 21
23	R043	R043	R043	R043	GUIDE DURITE FREIN AV	GUIDE FRONT BRAKE HOSE	GUIA LATIGUILLO
24	R044	R044	R044	R044	VIS RACC. POMPE FRE/EMB M10X19 BHC	SCREW PUMP BRAKE/CLUTCH	RACORD BOMBA FRENO/EMB
25	3213	3213	3213	3213	RONDELLE BANJO M8	ALUMINIUM SEAL M8	ARANDELLA BANJO M8
26	C318	C318	C318	C318	GROUPE FREIN AVANT DOUBLE PISTON	FRONT BRAKE GROUP COMPLETE	CTO. FRENO DELANTERO DOBLE PISTON
27	3214	3214	3214	3214	RACCORD M8 AVEC PURGEUR	RACCORD M8 W PURGE	RACORD M8 CON PURGADOR
28	R236	R236	R236	R236	AXE ETRIER FREIN AV DL/PISTON	PIN FRONT CALIPER DL PISTON	EJE PINZA FRENO DL/PISTON
29	M252	M252	M252	M252	VIS CHC 6 X 20 0084	SCREW CHC 6 X 20	TORNILLO 6 X 20 DIN 912
30	M283	M283	M283	M283	VIS BHC 6 X 16 1093	SCREW BHC 6 X 16	TORNILLO 6 X 16 ULS
31	M306	M306	M306	M306	ECROU NYLSTOP M6 0368.6	NUT NYLSTOP M6	TUERCA NYLSTOP M6
32	M317	M317	M317	M317	RONDELLE 6 X12 0407.6	WASHER X 6	ARANDELA 6 DIN 125 A
33	R366	R366	R366	R366	ENTRETOISE INTERUPTEUR FREIN AV	BUSH STOP FR BRAKE	CASQUILLO DISTANCIADOR STOP BOMBA
34	R367	R367	R367	R367	RESSORT LEVIER EMB	SPRING CLUTCH LEVER	MUELLE REGULATION LEVA EMB

Guidon / Handlebar / Manillar



KIT TRANSFORMATION POMPE DE FREIN Ø10 DU 2012 À 2013
 KIT TRANSFORMATION BRAKE MASTER CYLINDER Ø10 2012 TO 2013
 KIT TRANSFORMACIÓN BOMBA FRENO Ø10 DE 2012 A 2013

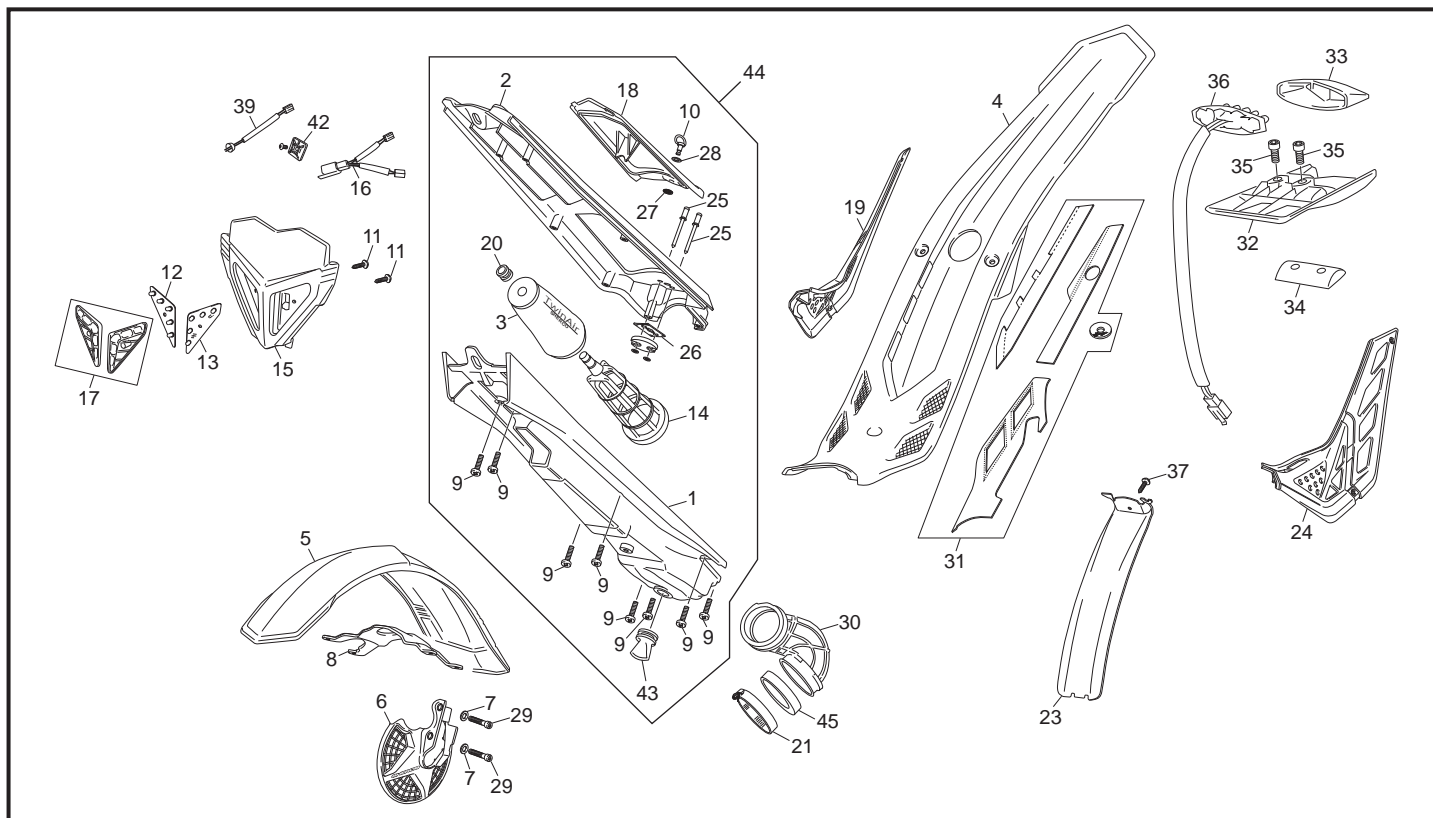
KIT TRANSFORMATION POMPE EMBRAYAGE Ø9 DU 2012 À 2013
 KIT TRANSFORMATION CLUTCH MASTER CYLINDER Ø9 2012 TO 2013
 KIT TRANSFORMACIÓN BOMBA EMBRAGUE DE Ø9 2012 A 2013

POS.	0.8	1.2	2.5	2.9	FRANÇAIS	ENGLISH	ESPAÑOL
35	R368	R368	R368	R368	VIS TENDEUR LEVIER EMB	SCREW REGUL CLUTCH LEVER	TORNILLO REGULATION LEVA EMB
36	1227	1227	1227	1227	MOUSSE GUIDON TRIAL 07	FOAM HANDLEBAR 07	ESPUMA MANILLAR TRIAL 07
37	1246	1246	1246	1246	COLLIER RISLAN MOUSSE Ø7	COLLIER 07	ABRAZADERA PROTECTOR MANILLAR 07
38	4647	4647	4647	4647	LEVIER FREIN AVANT COMP. FORMULA 13	BRAKE LEVER COMPLET FORMULA 13	MANETA FRENO DELA. COMP. FORMULA
39	4649	4649	4649	4649	KIT FIXAGE LEVIER FORMULA 13	LEVER FIXING SCREW KIT FORMULA 13	KIT FIJACION MANETA FORMULA 13
40	4648	4648	4648	4648	KIT REP. PIST. POMPE 10 MM FORMULA 13	PISTON KIT 10 MM FORMULA 13	KIT REP. PIST. BOMBA 10MM FORMULA 13
41	4663	4663	4663	4663	KIT REP. PISTON POMPE 9 MM FORMULA	PISTON KIT 9 MM FORMULA	KIT REP. PISTON BOMBA 9MM FORMULA

A KIT TRANSFORMATION POMPE DE FREIN Ø10 DU 2012 À 2013
 KIT TRANSFORMATION BRAKE MASTER CYLINDER Ø10 2012 TO 2013
 KIT TRANSFORMACIÓN BOMBA FRENO Ø10 DE 2012 A 2013

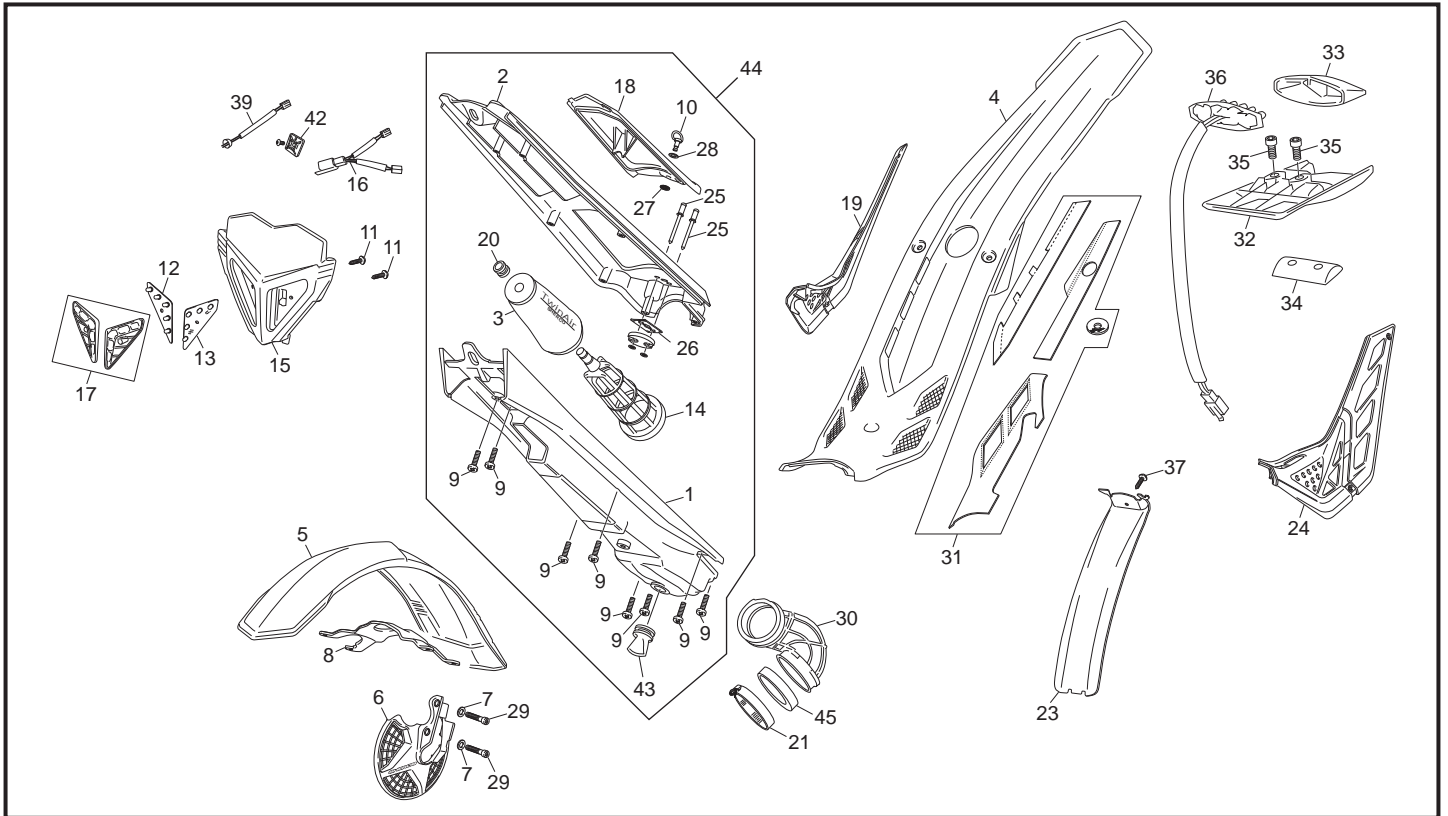
B KIT TRANSFORMATION POMPE EMBRAYAGE Ø9 DU 2012 À 2013
 KIT TRANSFORMATION CLUTCH MASTER CYLINDER Ø9 2012 TO 2013
 KIT TRANSFORMACIÓN BOMBA EMBRAGUE DE Ø9 2012 A 2013

Plastiques / Plastics / Plásticos



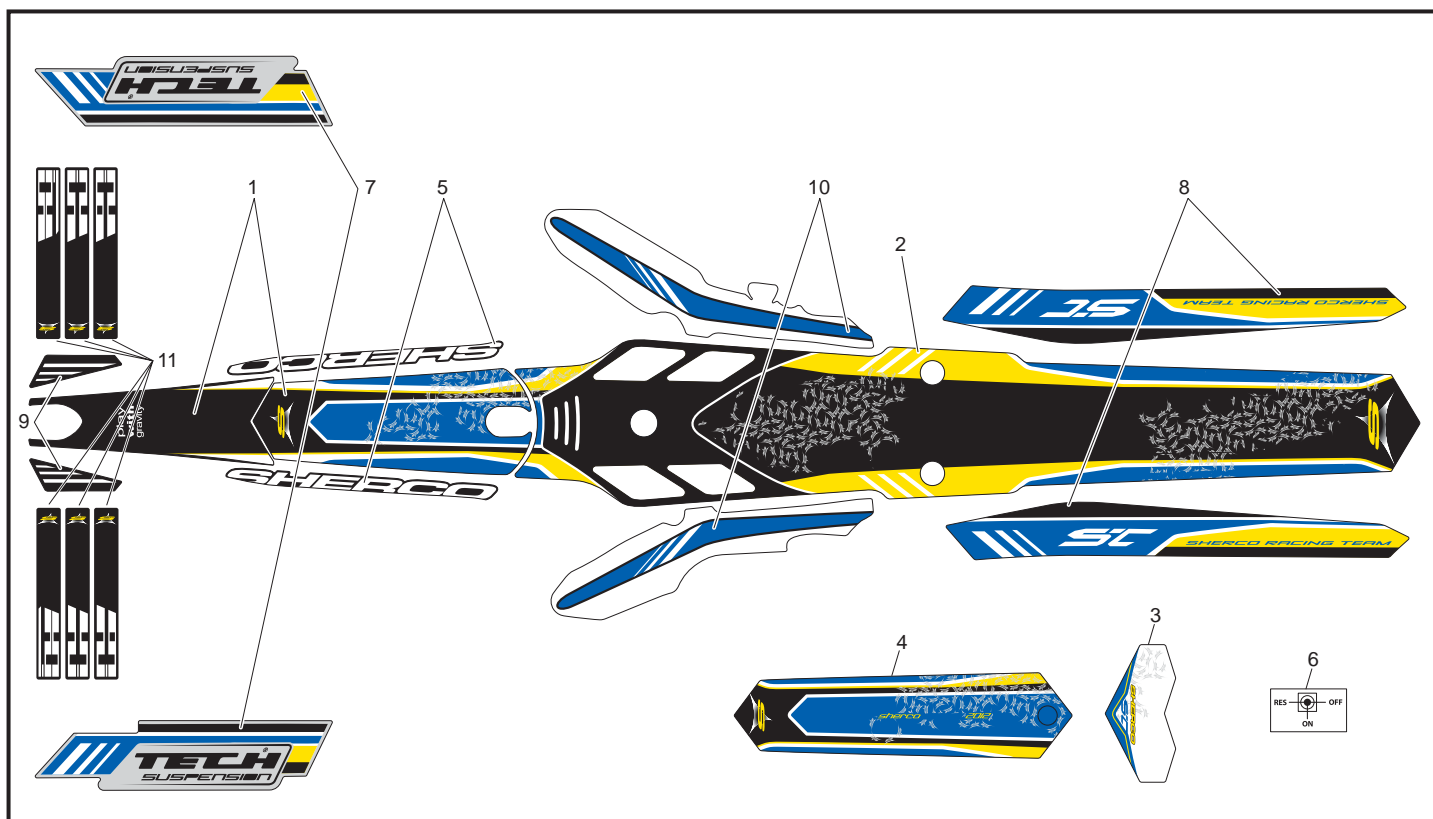
POS.	0.8	1.2	2.5	2.9	FRANÇAIS	ENGLISH	ESPAÑOL
1	3588	3588	3588	3588	CORPS FILTRE INF 2012	BODY FILTER INF 2012	CUERPO FILTRO INF 2012
2	3589	3589	3589	3589	CORPS FILTRE SUP 2012	BODY FILTER 2012	CUERPO FILTRO 2012
3	3590	3590	3590	3590	MOUSSE DE FILTRE 2012	FOAM FILTER 2012	ESPUMA DE FILTRO 2012
4	3608	3608	3608	3608	PARE BOUE ARRIERE BLANC TR 12	REAR MUDGUARD WHITE TR 12	GUARDABARRO TRASERO BLANCO TR 12
5	3161	3161	3161	3161	PARE BOUE AVANT BLANC TR 11	FRONT MUDGUARD WHITE TR 11	GUARDABARRO DEL. BLANCO TR 11
6	3400	3400	3400	3400	ARCEAU FOURCHE TS	MUDGUARD HOLDER TS	PUENTE SUSPENSION TS
7	C031	C031	C031	C031	ENTRETOISE PARE DISQUE	SPACER DISC COVER	SEPARADOR CUBREDISCOS DEL.
8	2253	2253	2253	2253	ARCEAU FOURCHE 2010	F/MUDGUARD HOLDER 2010	PUENTE SUSPENSION 2010
9	2266	2266	2266	2266	VIS SPECIAL PLASTIQUE	PLASTIC SPECIAL SCREW	TORNILLO ESPECIAL PLASTICO
10	2267	2267	2267	2267	DZUS DE FILTRE 2010	FILTER DZUS 2010	DZUS DE FILTRO 2010
11	M335	M335	M335	M335	VIS TOLE 3.9 X 16	SCREW TOLE 3.9 X 16	TORNILLO TOLE 3.9 X 16
12	2360	2360	2360	2360	LED AVANT DROITE 2010	FRONT RIGHT BULB 2010	LED DELANTERO DERECHO 2010
13	2361	2361	2361	2361	LED AVANT GAUCHE 2010	FRONT LEFT BULB 2010	LED DELANTERO IZQUIERDO 2010
14	3587	3587	3587	3587	GRILLE FILTRE 2012	FILTER PROTECTOR 2012	REJILLA FILTRO 2012
15	3163	3163	3163	3163	PLAQUE PHARE NOIR TR 11	PLASTIC LIGHT COVERT BLACK TR 11	PLACA FARO NEGRA TR 11
16	2821	2821	2821	2821	FAISEAU OPTIQUE TRIAL 2010	FRONT LIGHT CABLE SYSTEM TRIAL 2010	INSTALACION OPTICA TRIAL 2010
17	2358	2358	2358	2358	OPTIQUE DOUBLE 2010	DOUBLE FRONT LIGHT 2010	OPTICA DOBLE 2010
18	3524	3524	3524	3524	COUVERCLE FILTRE 2012	AIR FILTER BOX COVER 2012	TAPA FILTRO 2012
19	2257	2257	2257	2257	GRILLE PROTECTEUR ECHAPEMENT 2010	PROTECTOR EXHAUST COVER 2010	REJILLA PROTECTOR ESCAPE 2010
20	C118	C118	C118	C118	SILENT BLOC RADIATEUR	SILENT-BLOC RADIATOR	SILENT-BLOC RADIADOR
21	0595	0595	0595	0595	COLL. KC060 MAN. CORP INJ. END450	COLLAR KC060 HOSE BODY INJ. END450	BRIDA TOB. KC060 CUERP. INY. END450
23	2364	2364	2364	2364	BAVETTE AM 2010	REAR SHOCK COVER 2010	PROTECTOR AMORTIGUADOR 2010
24	2258	2258	2258	2258	GRILLE PROTECTEUR RESERVOIR 2010	PROTECTOR TANK COVER 2010	REJILLA PROTECTOR DEPOSITO 2010
25	2268	2268	2268	2268	RIVET ZEBRA 2.4 X 9	RIVET POP DIAM 2.4 X 9	REMACHE 2.4 X 9
26	2317	2317	2317	2317	PLAQUE DZUS TRIAL	PLAQUE DZUS TRIAL	PLAQUE DZUS TRIAL
27	2318	2318	2318	2318	RONDELLE VEROUILLAGE DZUS TRIAL	WASHER RETENTION DZUS TRIAL	ARANDELLA RETENCION DZUS TRIAL
28	2319	2319	2319	2319	RONDELLE PLASTIQUE DZUS TRIAL	WASHER PLASTIQUE DZUS TRIAL	ARENDELA PLASTICO DZUS TRIAL
29	M267	M267	M267	M267	VIS CHC 4 X 16 0084	SCREW VIS CHC 4 X 16	TORNILLO 4 X 16 ALLEN
30	3592	3592	3592	3592	RACCORD FILTRE CARBU 2T TR 12	MANIFOLD FILTER/CARBU 2T TR 12	TOBERA FILTRO CARBU 2T TR 12
31	2275	2275	2275	2275	ADESIF THERMIQUE GB AR JEU 2010	SET THERMIC STECKER MUDGUARD 2010	PROTEC. TERMICO GB TRAS JUEGO 2010
32	2048	2048	2048	2048	SUPPORT FEU ARRIERE TR 09	FIXATION RED LIGHT TR 09	SOPORTE LUZ TRASER TR 09
33	2049	2049	2049	2049	FEU ARRIERE TR 09	REA LIGHT TR 09	LUZ TRASERA TR 09
34	2047	2047	2047	2047	FIXATION SUPPORT IMMATRI. TR 09	FIXATION MATRI. SUPPORT TR 09	SUJECION SOPORTE MATRICULA TR 09
35	2052	2052	2052	2052	VIS BHC 5 X 20	SCREW BHC 5 X 16	TORNILLO 5 X 20 ULS
36	2035	2035	2035	2035	LED ARRIERE 09 TR	REAR BULB 09 TR	LED TRASERO 09 TR
37	M345	M345	M345	M345	VIS BHC 6 X 12 CAROSSERIE	SCREW BHC 6 X 12 BODY	TORNILLO BHC 6 X 12 CAROSSERIA

Plastiques / Plastics / Plásticos



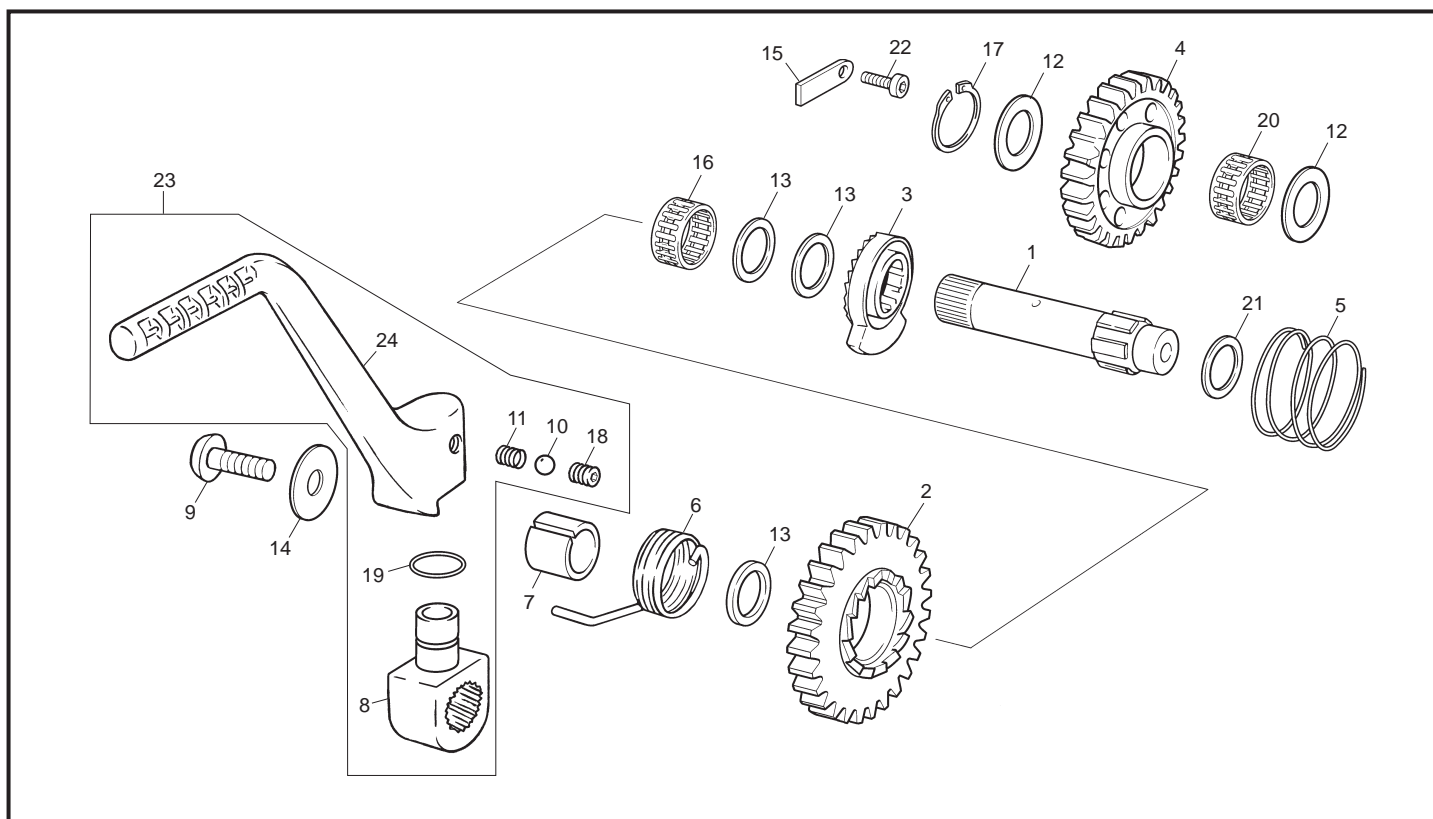
POS.	0.8	1.2	2.5	2.9	FRANÇAIS	ENGLISH	ESPAÑOL
39	2921	2921	2921	2921	INTERUPTEUR LUMIERE TRIAL 2010	FRONT LIGHT STOP TRIAL 2010	INTERUPTOR LUCES TRIAL 2010
42	3202	3202	3202	3202	FIXATION INTERRUPTOR LUMIERE	STRAP FIX INT	LAPA FIJACION INTERRUPTOR
43	1167	1167	1167	1167	VALVE CAISSE FILTRE	VALVE BOX FILTER	VALVULA CAJA FILTRO
44	3525	3525	3525	3525	BOÎTE FILTRE COMPLE TR 12	COMPLET FILTER BOX TR 12	CAJA FILTRO COMPLETO TR 12

Adhesif / Stiker / Adhesivo



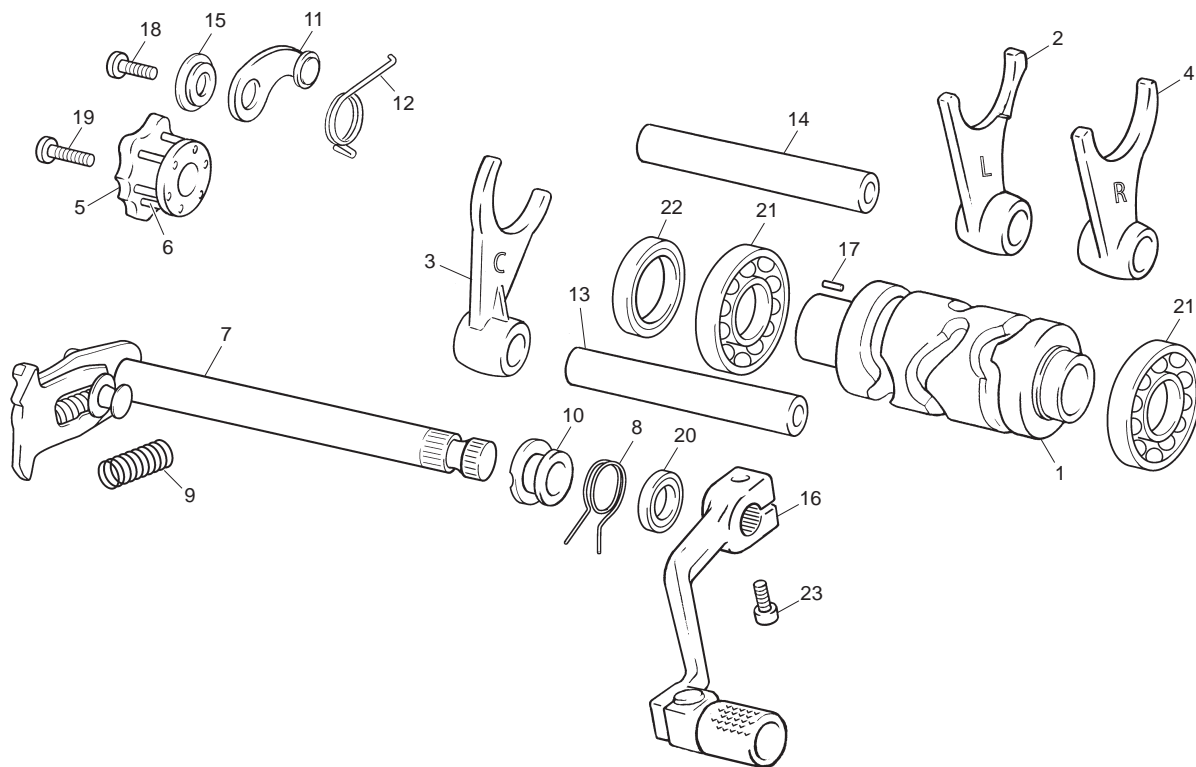
POS.	0.8	1.2	2.5	2.9	FRANÇAIS	ENGLISH	ESPAÑOL
1	3594	3594	3594	3594	ADHESIF BOITE FILTRE AIR JEU TR 12	STICKERS AIRBOX SET TR 12	ADHESIVO CAJA FILTRO JUEGOTR 12
2	3600	3600	3600	3600	ADHESIF GB AR TR 12	MUDGUARD BACK STICKER TR 12	ADHESIVO GB TRAS TR 12
3	3595	3595	3595	3595	ADHESIF PLAQUE PHARE TR 12	FRONT LIGHT STICKER TR 12	ADHESIVO PLACA FARO TR 12
4	3596	3596	3596	3596	ADHESIF GB AV TR 12	MUDGUARD FRONT STICKER TR 12	ADHESIVO GB DEL TR 12
5	3601	3601	3601	3601	ADHESIF LOGO GOTA BLANC JEU	STICKER LOGO DROP WHITE KIT	ADHESIVO LOGO GOTA BLANCO JUEGO
6	3768	3768	3768	3768	ADESIF OFF ON RES	STICKER OFF ON RES	ADHESIVO OFF ON RES
7	3718	3718	3718	3718	ADHESIF FOURCHE TR 12	STICKERS FORK TR 12	ADHESIVO HORQUILLA TR 12
8	3599	3599	3599	3599	ADHESIF BRAS JEU TR 12	SWINGARM STICKER KIT TR 12	ADHESIVO BASCULANTE JUEGO TR 12
9	3719	3719	3719	3719	ADHESIF AIR INTAKE JEU TR12	STICKER AIR INTAKE KIT TR12	ADHESIVO AIR INTAKE JUEGO TR12
10	3717	3717	3717	3717	ADHESIF PROTEC CADRE JEU TR 12	FRAME PROTECTOR STICKER KIT TR 12	ADESIVO PROTECT. CHASSIS JUEGO TR 12
11	4231	3603	3602	3597	ADHESIF ST TR 12	ST STICKER TR 12	ADHESIVO ST TR 12

Lanceur / Kickstarter assembly / Pedal arranque



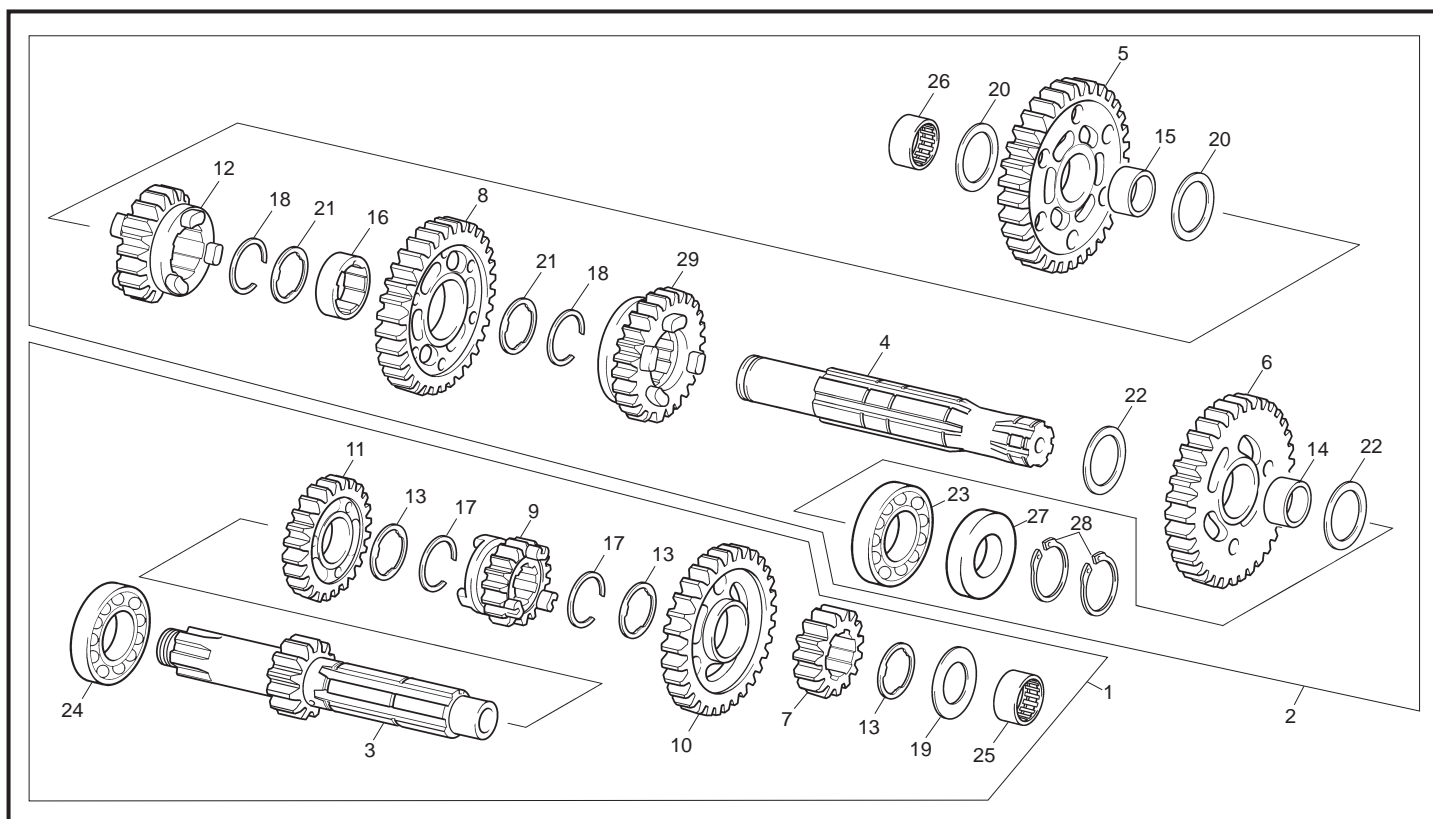
POS.	0.8	1.2	2.5	2.9	FRANÇAIS	ENGLISH	ESPAÑOL
1	M150	M150	M150	M150	ARBRE LANCEUR	KICKSTART AXLE	EJE ARRANQUE
2	M151	M151	M151	M151	PIGNON LIBRE DENT DE LOUP	KICKSTART PINION	PINON TRINQUETE
3	M152	M152	M152	M152	COULISSEAU DENT DE LOUP	FREE RATCHET KICKSTART	TRINQUETE DESPLAZABLE
4	M153	M153	M153	M153	ROUE INTERMEDIAIRE	IDLE GEAR KICKSTART	RUEDA INTERMEDIA
5	M155	M155	M155	M155	RESSORT COULISSEAU D DE L	COMPRESSION SPRING	MUELLE TRINQUETE
6	4201	M156	M156	M156	RESSORT DE RAPPEL KICK	KICK STARTING SPRING	MUELLE DE RETORNO
7	M157	M157	M157	M157	DOUILLE CENTRAGE RESSORT	SPACER SPRING KICK START	CASQUILLO CENTRAJE MUELLE
8	3215	3215	3215	3215	NOIX DE KICK WI	KICKSTART BOTTOM WI	MUNEQUILLA PEDAL ARRANQUE WI
9	M280	M280	M280	M280	VIS BHC 8 X 16 1093	SCREW BHC 8 X 16	TORNILLO 8 X 16 ULS
10	M160	M160	M160	M160	BILLE 5.5	5.5 BALL	BOLA 5.5
11	M161	M161	M161	M161	RESSORT DE POUSSEE BILLE	BALL SPRING	MUELLE PULSADOR BOLA
12	M163	M163	M163	M163	RONDELLE INA AS 17X30X1	WASHER INA AS 17X30X1	ARANDELA INA AS 17X30X1
13	M164	M164	M164	M164	RONDELLE ARBRE 17X25X1	WASHER 17X25X1	ARANDELA EJE ARRANQUE 17X25X1
14	M319	M319	M319	M319	RONDELLE 8 X 18 X 1.5 CONIQUE	WHASHER 8 X 18 X 1.5	ARANDELA DE PLATILLO 8 X 18 X 1.5
15	M166	M166	M166	M166	BUTEE COULISSEAU D DE L	TOP RATCHET	TOPE TRINQUETE DESPLAZABLE
16	M167	M167	M167	M167	CAGE AIG. PIG. DENT LOUP K17X21X10	NEEDLE BEARING K17X21X10	JAULA AGUJAS PIÑON TRINQ. K17X21X10
17	M171	M171	M171	M171	SEGMENT ARRET DIAN 17	RETAINING RING17	SIGER DIAMETRO 17
18	M169	M169	M169	M169	VIS SANS TETE DU KICK	SCREW NO HEAD KICK LEVER	TOR. ALEN SIN CABEZA PEDAL ARRANQUE
19	M168	M168	M168	M168	TORIQUE 14 X18X2	O RING 14X18X2	TORICA 14X18X2
20	M077	M077	M077	M077	DOUILLE AIGUILLE HK1712B	NEEDLE BEARING 17X23X12	CASQUILLO DE AGUJAS 17X23X12
21	M165	M165	M165	M165	RONDELLE ARBRE 16X25X1	WASHER 16X25X1	ARANDELA EJE ARRANQUE 16X25X1
22	M251	M251	M251	M251	VIS CHC 6 X 16 0084	SCREW CHC 6 X 16	TORNILLO 6 X 16 DIN 912
23	3212	3212	3212	3212	KICK COMPLET WI	KICK START WI	PEDAL ARRANQUE WI
24	3428	3428	3428	3428	LEVIER DE KICK 2011 SEUL TR	KICKSTART LEVER 2011 ONLY TR	PEDAL ARRANQUE 2011 SOLO TR

Selecteur / Gear selector group / Selector cambio



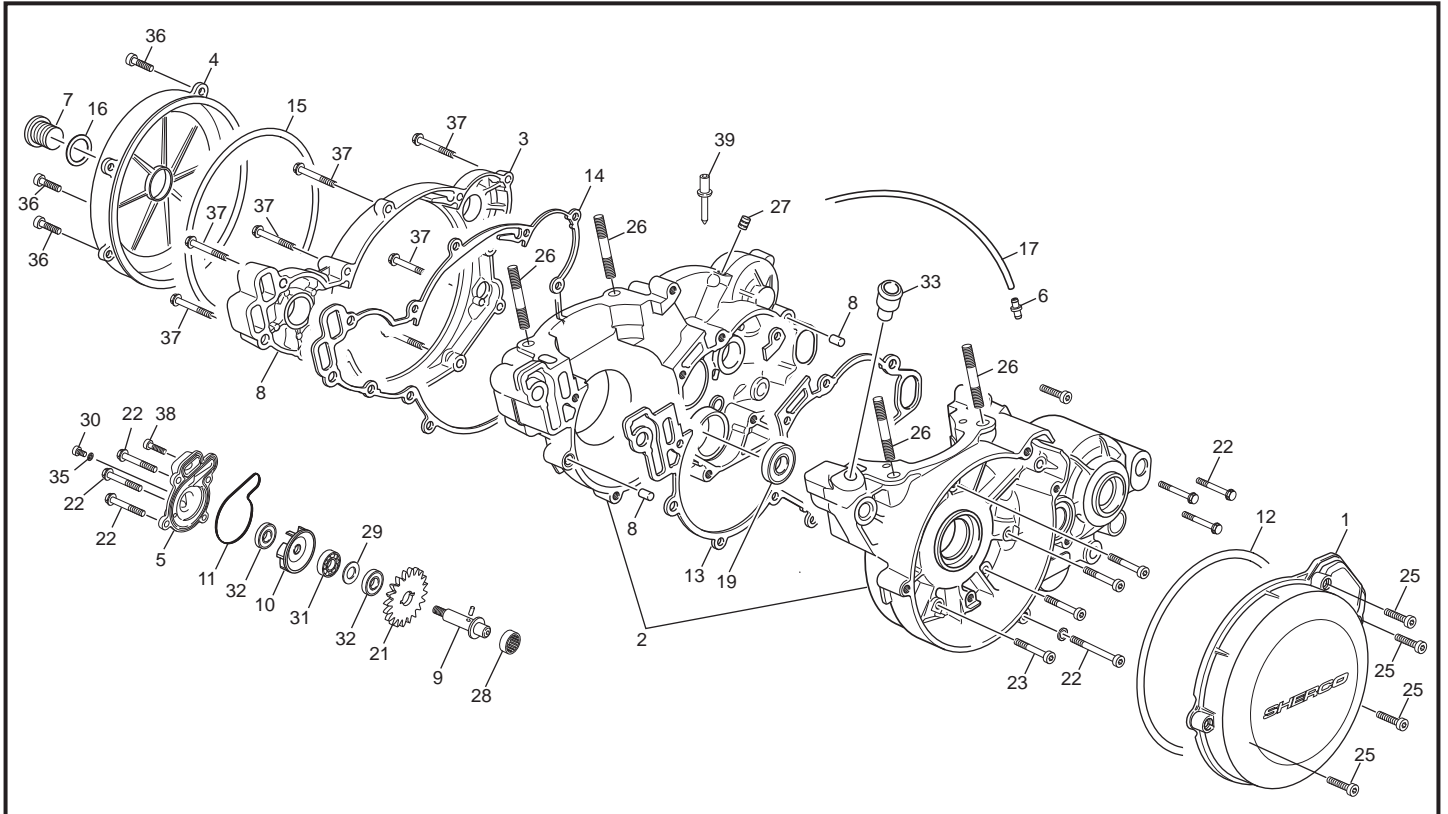
POS.	0.8	1.2	2.5	2.9	FRANÇAIS	ENGLISH	ESPAÑOL
1	M100	M100	M100	M100	TAMBOUR DE SELECTION	SELECTOR DRUM	DESMODROMICO SELECTOR
2	M102	M102	M102	M102	FOURCHETTE L	L FORK	HORQUILLA L
3	M103	M103	M103	M103	FOURCHETTE C	C FORK	HORQUILLA C
4	M104	M104	M104	M104	FOURCHETTE R	R FORK	HORQUILLA R
5	M105	M105	M105	M105	ETOILE DE SELECTION CPL	INDEX SHIM	ESTRELLA SELECTOR
6	M106	M106	M106	M106	PION ETOILE INA NRA 3X17.8	NEEDLE PIN NRA3X17.8	AGUJA DE LA ESTRELLA INA NRA3X17.8
7	M107	M107	M107	M107	ARBRE DE SELECTEUR CPL	SHIFT SHAFT WITH PAWL ASSY	ARBOL SELECTOR
8	M110	M110	M110	M110	RESSORT RAPPEL SELECTION	SPRING SHIFT LEVER	MUELLE RETORNO SELECTOR
9	M111	M111	M111	M111	RESSORT RAPPEL COULISSEAU	SPRING COULISSEAU	MUELLE RETORNO ESORPION
10	M113	M113	M113	M113	DOUILLE CENTRAGE RESSORT RAPPEL	SPACER SPRING SHIFT LEVER	CASQUILLO CENT. MUELLE RETORNO
11	M114	M114	M114	M114	LEVIER DE VERROUILLAGE CPL	INDEX LEVER ASSY	PALANCA DE CIERRE SELECTOR
12	M117	M117	M117	M117	RESSORT DE RAPPEL LEVIER VERROUIL	INDEX SPRING	MUELLE RETORNO PALANCA DE CIERRE
13	M118	M118	M118	M118	AXE DE FOURCHETTE COURT	FORK SPINDLE	EJE DE HORQUILLA CORTO
14	M119	M119	M119	M119	AXE DE FOURCHETTE LONG	FORK SPINDLE LONG	EJE DE HORQUILLA LARGO
15	M121	M121	M121	M121	DOUILLE LEVIER VERROUILLAGE	SPACER INDEX LEVER	CASQUILLO PALANCA CIERRE
16	M127	1981	1981	1981	SELECTEUR EXTERIEUR TRIAL RACING	SHIFT LEVER ASSY TRIAL RACING	PALANCA DE CAMBIO TRIAL RACING
17	M122	M122	M122	M122	PION CLAVETAGE ETOILE NRA3X11.8	NEEDLE PIN NRA3X11.8	AGUJA POSICI. ESTRELLA NR3X11.8
18	M251	M251	M251	M251	VIS CHC 6 X 16 0084	SCREW CHC 6 X 16	TORNILLO 6 X 16 DIN 912
19	M253	M253	M253	M253	VIS CHC 6 X 30 0084	SCREW CHC 6 X 30	TORNILLO 6 X 30 DIN 912
20	M126	M126	M126	M126	JOINT LEVRE 12 X 19 X 5 DL	OIL SEAL 12X19X5	RETEN12X19X5 DL
21	M123	M123	M123	M123	ROULEMENT 25X37X7 R61805	BEARING 25X37X7 R61805	COJINETE 25X37X7 R61805
22	M124	M124	M124	M124	JOINT A LEVRE G28X37X4	OIL SEAL G28X37X4	RETEN G28X37X4
23	M252	M252	M252	M252	VIS CHC 6 X 20 0084	SCREW CHC 6 X 20	TORNILLO 6 X 20 DIN 912

Boite a vitesses / Gear set / Cambio



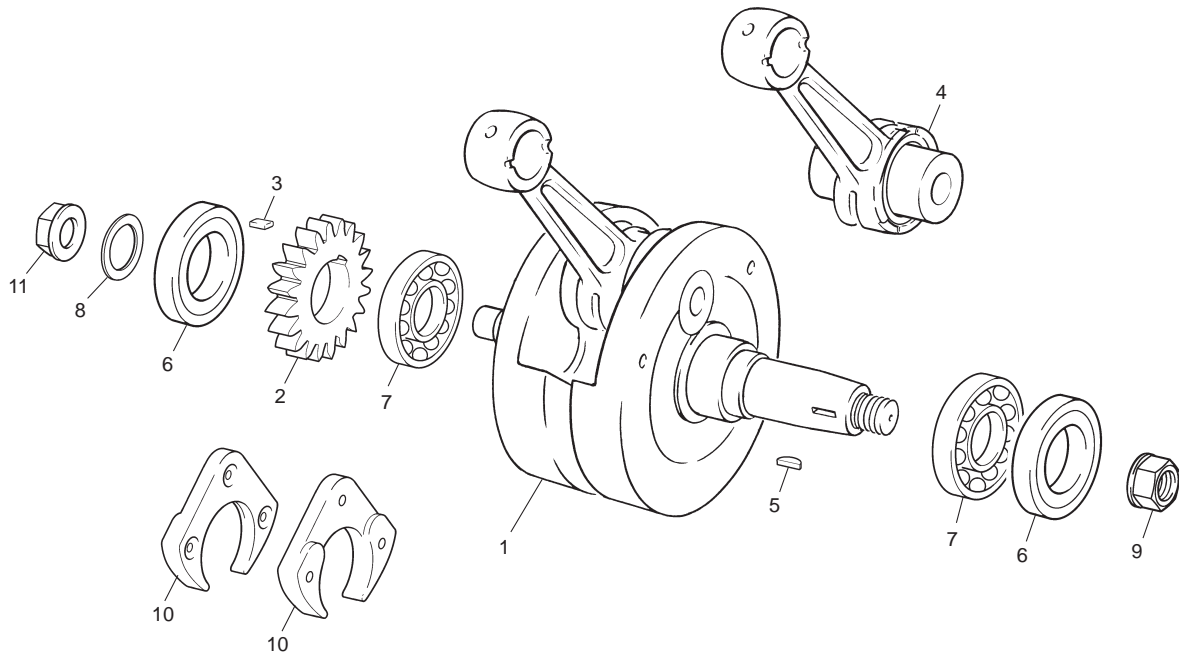
POS.	0.8	1.2	2.5	2.9	FRANÇAIS	ENGLISH	ESPAÑOL
1	M390	M390	M390	M390	ENSEMBLE ARBRE PRIMAIRE 03	GROUP FIRST SHAFT WITH PINION 03	CJTO EJE PRIM CAMBIO 03
2	M391	M391	M391	M391	ENSEMBLE ARBRE SECONDAIRE 03	GR. SECOND SHAFT WITH PINION 03	ENSEMBLE ARBRE SECONDAIRE 03
3	M374	M374	M374	M374	ARBRE PRIMAIRE / PIGNON 1ERE EVOL 2	GEAR CLUTCH SHAFT EVOL 2	EJE PRIMARIO EVOL 2
4	M054	M054	M054	M054	ARBRE SECONDAIRE	MAINSHAFT	EJE SECUNDARIO
5	M367	M367	M367	M367	PIGNON SECONDAIRE 1ERE EVOL 2	PINION SECOND 1ERE EVOL 2	PINION SECOND 1ERE EVOL 2
6	M056	M056	M056	M056	ROUE LIBRE DE 2EME	FREE PINION 2 EME	CORONA DE 2a
7	M057	M057	M057	M057	PIGNON FIXE DE 2 EME	GEAR PINION 2EME	PINON DE 2a
8	M058	M058	M058	M058	ROUE LIBRE DE 3 EME	FREE PINION 3 EME	CORONA DE 3a
9	M059	M059	M059	M059	PIGNON BALADEUR DE 3EME	GEAR PINION 3 EME	PINON DESPLAZABLE 3a
10	M061	M061	M061	M061	ROUE LIBRE DE 5 EME	GEAR PINION 5 EME	CORONA DE 5a
11	M062	M062	M062	M062	PIGNON LIBRE DE 4 EME	FREE PINION 4 EME	PINON DE 4a
12	M063	M063	M063	M063	ROUE BALADEUSE DE 4 EME	FREE PINION 4 EME	CORONA DESPLAZABLE DE 4a
13	M064	M064	M064	M064	RONDILLE CRENEAUX 20X24X1	GEAR WASHER 20X24X1	ARANDELA ESTRIADA 20X24X1
14	M065	M065	M065	M065	DOUILLE ANTI FRICTION 1ERE	BUSH 1ERE	CASQUILLO ANTI-FRICCION 1a
15	M066	M066	M066	M066	DOUILLE ANTI FRICTION 2EME	BUSH 2 EME	CASQUILLO ANTI-FRICCION 2a
16	M067	M067	M067	M067	DOUILLE ANTI FRICTION 3EME	BUSH 3 EME	CASQUILLO ANTI-FRICCION 3a
17	M068	M068	M068	M068	SEGMENT ARRET WR 20	RETAINING WR 20	SEGER WR 20
18	M069	M069	M069	M069	SEGMENT ARRET WR 22	RETAINING WR 22	SIGER WR 22
19	M070	M070	M070	M070	RONDILLE INA ARBRE PRIMAIRE 15X28X1	THRUST WASHER 15X28X1	ARANDELLA INA EJE PRIMARIO 15X28X1
20	M071	M071	M071	M071	RONDILLE ARBRE SECONDAIRE 17X27X1	MAINSHAFT WASHER 17X27X1	ARANDELLA EJE SECUNDARIO 17X27X1
21	M072	M072	M072	M072	RON. CRENEAU ARBRE SECOND. 22X28X1	WASHER 22X28X1	ARAN. ESTR. EJE SECUNDARIO 22X28X1
22	M073	M073	M073	M073	RONDILLE ARBRE SECONDAIRE 20X27X1	MAINSHAFT WASHER 20X27X1	ARANDELA EJE SECUNDARIO 20X27X1
23	M074	M074	M074	M074	ROULEMENT 20X47X14	BEARING 20X47X14	COJINETE 20X47X14
24	M075	M075	M075	M075	ROULEMENT 20X47X14 2RSH	BEARING 20X47X14 2RSH	COJINETE 20X47X14 2RSH
25	M076	M076	M076	M076	DOUILLE AIGUILLE 15X21X12	NEEDLE BEARING 15X21X12	CASQUILLO DE AGUJAS 15X21X12
26	M077	M077	M077	M077	DOUILLE AIGUILLE HK1712B	NEEDLE BEARING 17X23X12	CASQUILLO DE AGUJAS 17X23X12
27	M078	M078	M078	M078	JOINT DOUBLE LEVRE 20X30X7	OIL SEAL 20X30X7	RETEN DOBLE LABIO 20X30X7
28	M350	M350	M350	M350	SEGMENT ARRET WR 20 SORTIE BOITE	SEGMENT ARRET WR 20	SEGMENT ARRET WR 20
29	M060	M060	M060	M060	PIGNON BALADEUR DE 5 EME	FREE PINION 5 EME	PINON LIBRE 5a

Groupe carters / Crankcase assembly / Grupo carters



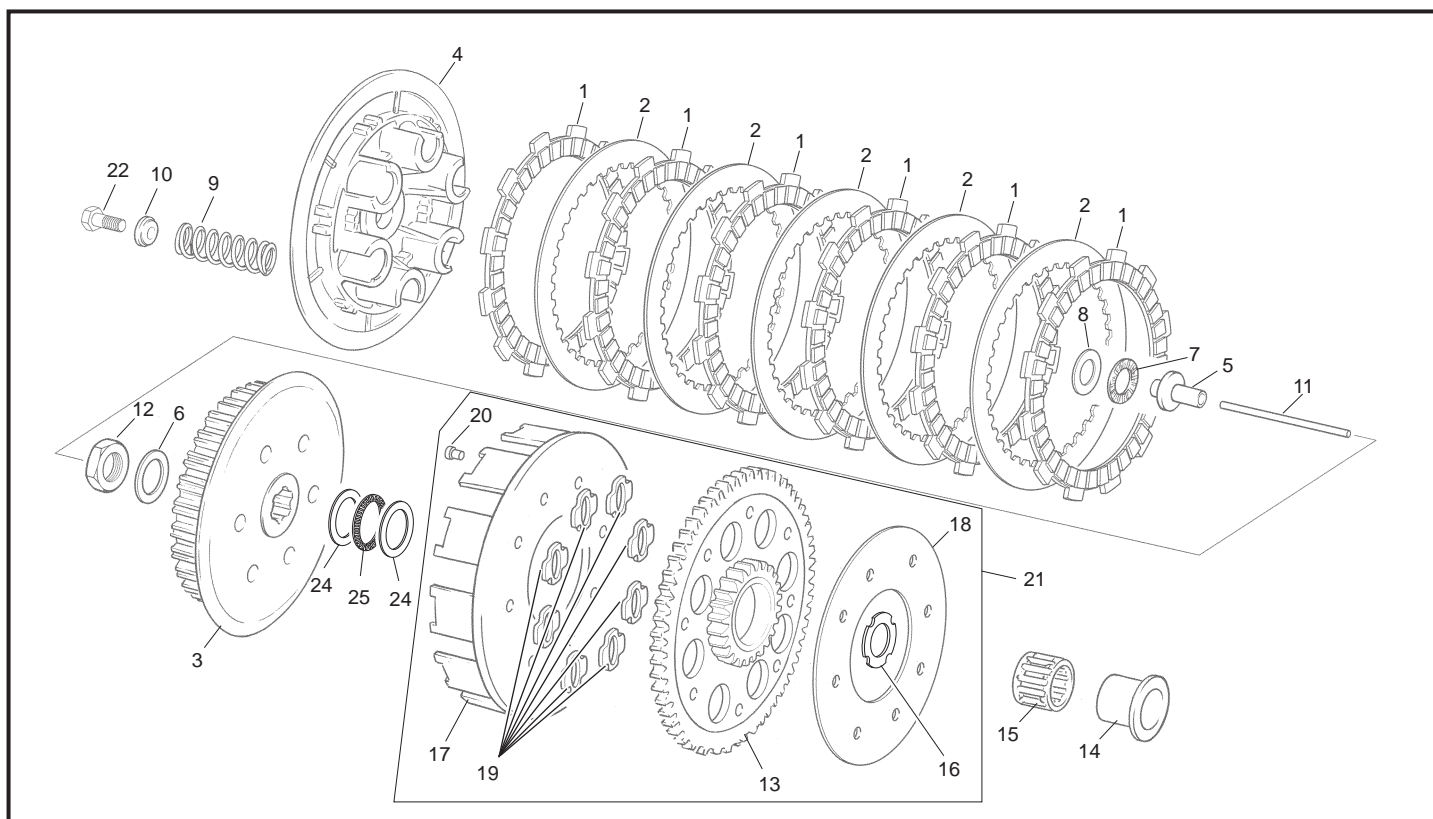
POS.	0.8	1.2	2.5	2.9	FRANÇAIS	ENGLISH	ESPAÑOL
1	1982	3142	3142	3142	CARTER ALLUMAGE TR 11	IGNITION COVER TR 11	TAPA ENCENDIDO TR 11
2	2009	3146	3129	3129	GP CARTERS CENTRAUX 125 TR 11	CRANKCASES SET 125 TR 11	CARTERS CENTRALES 125 TR 11
3	2012	3130	3130	3130	CARTER LATÉRAL DROITE TR 11	BOTTOM CLUTCH COVER TR 11	CARTER LATÉRAL DERECHO TR 11
4	2013	3131	3131	3131	COUVERCLE EMBRAYAGE TR 11	CLUTCH COVER TR 11	TAPETA EMBRAGUE TR 11
5	2014	3132	3132	3132	COUVERCLE POMPE EAU TR 11	WATER PUMP COVER TR 11	TAPA BOMBA AGUA TR 11
6	M016	M016	M016	M016	RENIFLAR CARTER CENTRAL	AIR VENT CRANKCASES	DEPRESOR CARTERS
7	M021	M021	M021	M021	BOUCHON REMPLISSAGE HUILE	CARTER FILTER TAP	TAPON LLENADO ACEITE CARTER
8	M022	M022	M022	M022	DOUILLE CENTRAGE CARTER	DOUILLE CENTRAGE CARTER	CASQUILLO CENTRADOR CARTER
9	M363	M363	M363	M363	AXE POMPE EAU EVOLUTION 3	WATER PUMP AXELE EVOLUTION 3	EJE BOMBA AGUA EVOLUTION 3
10	M351	M351	M351	M351	TURBINE POMPE EAU EVOLUTION2	WATERPUMP TURBINE EVOLUTION2	TURBINA BOMBA AGUA EVOLUTION2
11	M033	3133	3133	3133	JOINT COUVERCLE POMPE EAU TR 11	RING WATER PUMP COVER TR 11	JUNTA TAPA BOMBA AGUA TR 11
12	M034	3158	3158	3158	JOINT CARTER ALUMAGE 160X2 TR 11	O-RING IGNITION COVER 160X2 TR11	JUNTA TOR. TAPA ENCEN. 160X2 TR11
13	M220	3151	3134	3134	JOINT CART. CENT. 125/200CC 11 TR	CENT. CRANCK. GASKET 125/200 11TR	JUNTA CARTER CENT. 125/200 11 TR
14	M036	3135	3135	3135	JOINT CARTER LATÉRAL TR 11	CLUTCH GASKET TR 11	JUNTA CARTER LATÉRAL TR 11
15	M045	3141	3141	3141	JOINT TORIQUE 160X1.5	O-RING 160X1.5	JUNTA TORICA 160X1.5
16	M162	M162	M162	M162	TORIQUE 10X2.5 BOUCHON HUILE	O-RING 10X2.5 OIL PLUG	TORICA 10X2.5 TAPON ACEITE
17	M017	M017	M017	M017	DURITE RENIFLARD 3X5	TUBE AIR VENT CRANKCASES 3X5	TUBO DEPRESOR 3X5
19	3128	3128	3128	3128	JOINT DOUBLE LEVRES 17X24X5	OIL SEAL 17X24X5	REten DOBLE LABIO17X24X5
21	M364	M364	M364	M364	PIGNON POMPE EAU NYLON	PINIO WATER PUMP NYLON	PIGNON BOMBA AGUA NYLON
22	0549	0549	0549	0549	VIS TH EP 6 X 45	SREW TH EP 6 X 45	TORNILLO TH EP 6 X 45
23	3235	3235	3235	3235	VIS TH EP 6 X 50	SCREW TH EP M6 X50	TORNILLO TH EP M6 X50
24	M277	M277	M277	M277	RONDELLE ALU M5 0463 5X10	GASKET RING X5	ARANDELA ALUMINIO X5
25	3269	3269	3269	3269	VIS CHC 5 X 20 0084	SCREW CHC 5 X 20	TORNILLO 5 X 20 ALLEN
26	M291	M291	M291	M291	GOIJON DE CYLINDRE 8 X 46	STUD CYLINDRE 8 X 46	ESPARRAGO CILINDRO 8 X 46
27	-----	2386	2386	2386	BOUCHON CANALISATION HUILE 6X8	LUBRICATION CAP 6X8	TAPA CANALIZACION 6X8
28	M029	M029	M029	M029	ROUL. AIGUILLE POMPE EAU HK0808	WATER PUMP NEEDLE BEAR. HK 0808	COJ. AGUJAS BOMBA AGUA HK 0808
29	M030	M030	M030	M030	ROND. BUTÉE POMPE A EAU 8X16X1	WATERPUMP BUSH 8X16X1	ARANDELA BOMBA AGUA 8X16X1
30	M288	M288	M288	M288	VIS CHC 5X6 1093	SCREW CHC 5X6	TORNILLO CHC 5X6
31	M027	M027	M027	M027	ROUL.BILLE POMPE EAU 608.2RSH	WATER PUMP BEARING 608.2RSH	COJINETE BOMBA AGUA 608.2RSH
32	M031	M031	M031	M031	JOINT POMPE A EAU 8X20X5DL	WATER PUMP SEAL 8X20X5DL	REten BOMBA AGUA 8X20X5DL
33	-----	3143	3143	3143	RACCORD DURITE CARTER RAD. 11	WATER CONEXION 11	CONEC. TUBO AGUA CART.-RAD. 11
35	M277	M277	M277	M277	RONDELLE ALU M5 0463 5X10	GASKET RING X5	ARANDELA ALUMINIO X5
36	0550	0550	0550	0550	VIS TH EP 6 X 55	SREW TH EP 6 X 55	TORNILLO TH EP 6 X 55
37	0970	0970	0970	0970	VIS TH EP 6 X 25	SCREW TH EP M6 X 25	TORNILLO TH EP M6 X 25
38	0546	0546	0546	0546	VIS TH EP 6 X 20	SREW TH EP 6 X 20	TORNILLO TH EP 6 X 20
39	M042	-----	-----	-----	RIVET CARTER CENTRAUX	CRANKCASE CLINCH	REMACHE CARTER CENTRAL

Villebrequin assemble / Crankshaft assembly / Cigüeñal biela



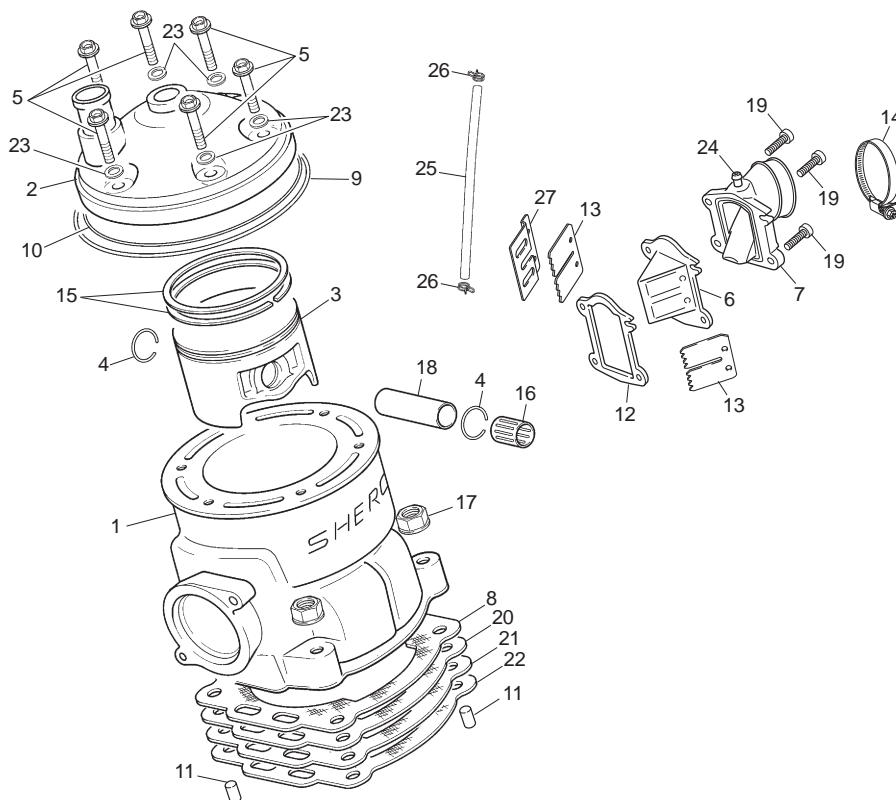
POS.	0.8	1.2	2.5	2.9	FRANÇAIS	ENGLISH	ESPAÑOL
1	M211	3149	3152	3152	VILEBREQUIN COMPLET 125/200CC 11 TR	CRANCK SHAFT 125/200CC 11 TR	CIGUENAL COMPLETO 125/200CC 11 TR
2	M200	M200	M200	M200	PIGNON PRIMAIRE	PINION PRIMARY DRIVE	PINON PRIMARIA
3	M204	M204	M204	M204	CLAVETTE PIGNON PRIMAIRE	WOODRUFF KEY PRIMARY DRIVE	CHAVETA PINON PRIMARIA
4	R212	R212	R021	R021	KIT BIELLE 125/200	ROD KIT 125/200	KIT BIELA 125/200
5	M023	M023	M023	M023	CLAVETTE DEMI LUNE VILO	WOODRUFF KEY	CHAVETA ENCENDIDO
6	M219	M219	M219	M219	JOINT 25 X 35 X 7 DL VILO 125/200CC	CRANKSHAFT SEAL 125/200CC	RETEN 25 X 35 X 7 DL CIGUE 125/200CC
7	M218	M028	M028	M028	ROULEMENT BILLE VILO 6206.2RSTN9/C4	CRANKSHAFT BEAR. 6206.2RSTN9 C4	COJINETE CIGUENAL 6206.2RSTN9 C4
8	M206	M206	M206	M206	ROND. BELLEVILLE 14.2X28X1.5 REF0887	SPRING WASHER	ARANDELA CONICA 14.2,28X1.5
9	M295	M295	M295	M295	ECROU 14 X 125	HEX NUT M14 X 125	TUERCA M14 X 125
10	C309	C309	C309	C309	BOUCHON PLASTIC DE VILO 2002	HANDCRAFT PLASTIC PLUG 2001	TAPON INTERNO DE CIQUENAL 2001
11	M295	3144	3144	3144	ECROU 14 X 125 H 7.5 TR11	HEX NUT M14 X 125 H 7.5 TR11	TUERCA M14 X 125 H 7.5 TR11

Embrayage / Clutch / Embrague



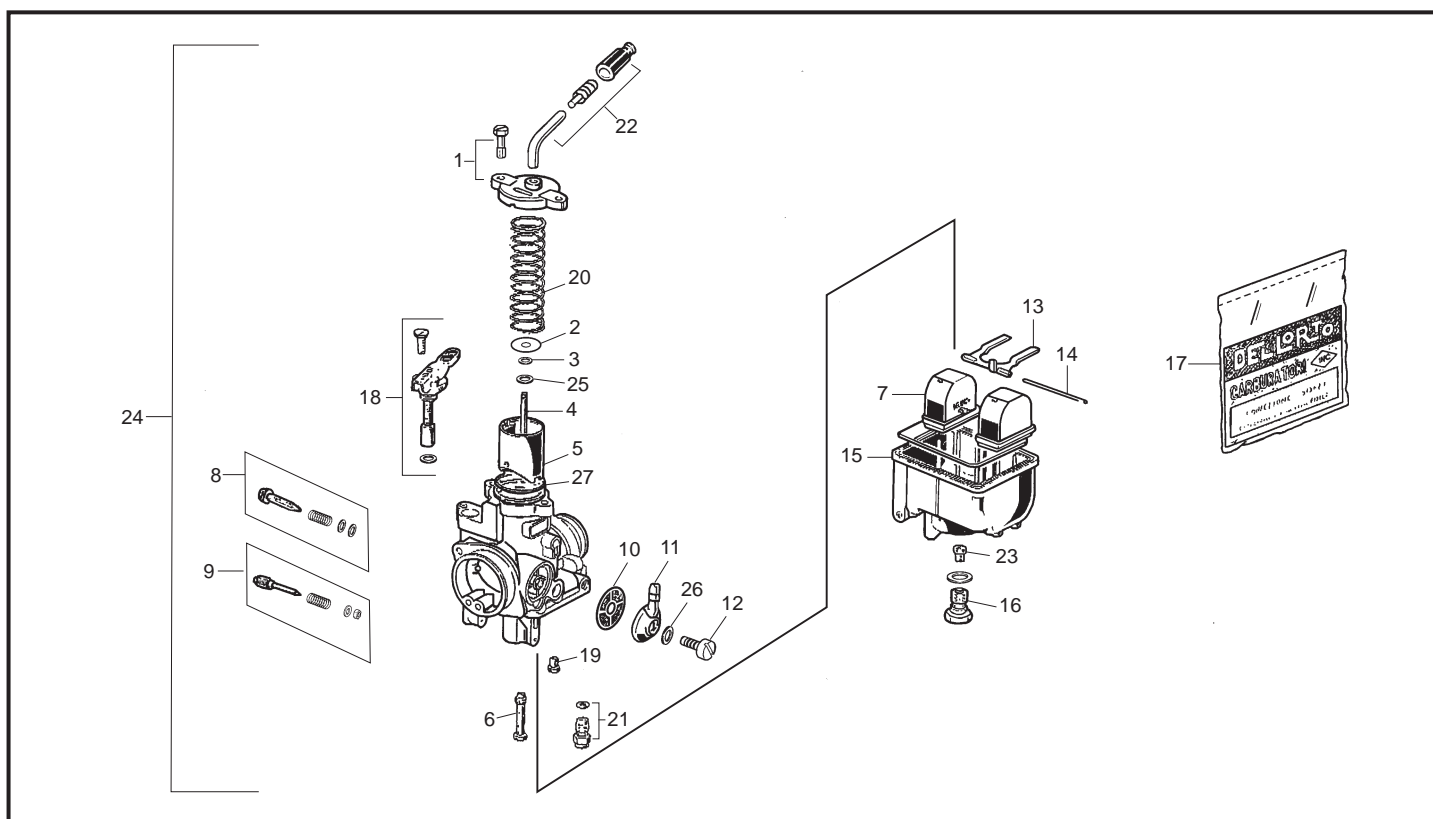
POS.	0.8	1.2	2.5	2.9	FRANÇAIS	ENGLISH	ESPAÑOL
1	M080	M080	M080	M080	DISQUE GARNI	FRICTION CLUTCH DISK	DISCO EMBRAGUE FORRADO
2	M081	M081	M081	M081	DISQUE LISSE	METAL CLUTCH DISK	DISCO EMBRAGUE METALICO
3	M083	M083	M083	M083	NOYAU	CLUTCH HUB	CUBO EMBRAGUE
4	M084	M084	M084	M084	PLATEAU	CLUTCH SPRING HOLDER	PLATO EMBRAGUE
5	M085	M085	M085	M085	POUSSOIR AXIAL	CLUTCH PULLER	PULSADOR AXIAL
6	M087	M087	M087	M087	RONDELLE BELLEVILLE 16.3X31.5X2	FIXING BUSH 16.3X31.5X1.5	ARANDELLA FIJACION 16.3X31.5X1.5
7	M090	M090	M090	M090	BUTEE AIGUILLE EMBAXK1226A	CLUTCH BEARING	CORONA AXIAL AGUJAS AXK1226A
8	M091	M091	M091	M091	RONDELLE BUTEE AS12.26.1	WASHER AS 12.26.1	ARANDELA AS 12.26.1
9	M092	M092	M092	M092	RESSORT EMB	CLUTCH SPRING	MUELLE EMBRAGUE
10	M093	M093	M093	M093	RONDELLE EMB	CLUTCH WASHER FOR SPRING	ARANDELA EMBRAGUE EMBOUTIDA
11	M086	M086	M086	M086	TIGE DE POUSSEE	CLUTCH SPINDLE	VARILLA EMBRAGUE
12	M293	M293	M293	M293	ECROU NOYAU EMB M16X125	HEX NUT CLUTCH M16X125	TUERCA CUBO EMBRAGUE M16 X125
13	M201	M201	M201	M201	ROUE PRIMAIRE	WEEL PRIMARY DRIVE	RUEDA PRIMARIA
14	M203	M203	M203	M203	DOUILLE ROUE PRIMAIRE	SPACER PRIMARY DRIVE	CASQUILLO RUEDA PRIMARIA
15	M205	M205	M205	M205	CAGE A AIGUILLE 25X33X24	NEEDLE BEARING 25X33X24	JAULA AGUJAS 25X33X24
16	M208	M208	M208	M208	RONDELLE BUTEE R PRIM INA AS2035	WASHER AS2035	ARANDELA TOPE PRIMARIA INA AS2035
17	M357	M357	M357	M357	CLOCHE EMBRAYAGE 2001	CLUTH PLATE HOLDER 2001	CAMPANA EMBRAGUE 2001
18	M359	M359	M359	M359	PLATEAU METAL TP	STEEL DISK CLUTCH	DISCO ACERO EMBRAGUE
19	M358	M358	M358	M358	SILENBLOC EMBRAYAGE	CLUTCH SILENBLOC	SILENBLOC EMBRAGUE
20	M270	M270	M270	M270	RIVET 4 X 16	RIVET 4 X 10	REMACHE 4 X 10
21	M360	M360	M360	M360	ROUE TRANS PRIMAIRE ASSEMBLE 2001	PRIMARY DRIVE CLUTCH 2001	CTO RUEDA DE TRANS. PRIMARIA 2001
22	M094	M094	M094	M094	VIS EMBRAYAGE	SCREW CLUTCH SPRING	TORNILLOS MUELLE EMBRAGUE

Cylindre / Cylinder / Cilindro



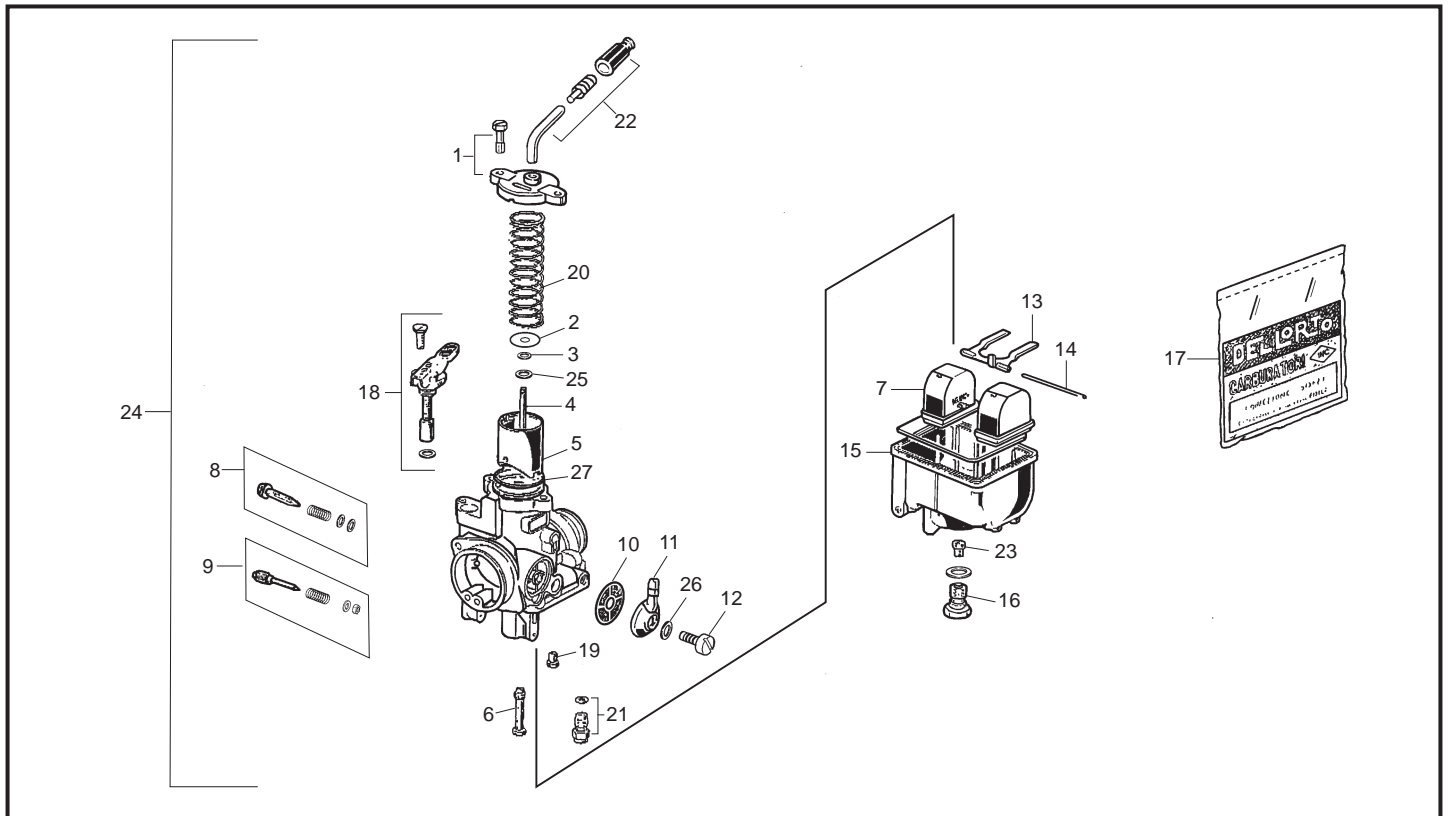
POS.	0.8	1.2	2.5	2.9	FRANÇAIS	ENGLISH	ESPAÑOL
1	1992	3147	3123	3138	CYLINDRE 11 TR	CILYNDER 11 TR	CILINDRO 11 TR
2	1988	3148	3124	3137	CULASSE 11 TR	CYLINDER HEAD 11 TR	CULATA 11 TR
3	M720	M212	M009	M245	PISTON CPL "A"	PISTON "A"	PISTON "A"
3	-----	M580	M586	M589	PISTON CPL "B"	PISTON "B"	PISTON "B"
3	-----	M581	M587	M590	PISTON CPL "C"	PISTON "C"	PISTON "C"
3	-----	M582	M588	M591	PISTON CPL "D"	PISTON "D"	PISTON "D"
4	-----	R218	R218	R218	CIRCLIP PISTON	PISTON CIRCLIP	SERCLIP PISTON
5	0547	0547	0547	0547	VIS TH EP 6 X 30	SCREW TH EP 6 X 30	TORNILLO TH EP 6 X 30
6	C470	3150	3125	3125	BOITE CLAPET 80 -125 11 TR	REEDS CASE 80-125 11 TR	CAJA LAMINAS 80-125 11 TR
7	M019	3154	3154	3593	PIPE ADMISSION 2011 CARB 26	ADMISION PIPE 2011 CARB 26	TOBERA ADMISION 2011 CARB 26
8	M221	3024	3025	3025	JOINT EMBASE SIL. CYLIND. 0.5 125 WI	CILYND GASKET SILICON 0.5 125CC WI	JUNTA CILIND SILICONA 0.5 125CC WI
9	M038	M038	M038	M038	JOINT TORIQ. CULASSE 105X109X2 VIT.	CILYND HEAD O-RING 105X109X2 VITON	JUNTA TOR. CULATA 105X109X2 VITON
10	M039	3399	M039	M039	JOINT TORIQ. CULASSE 64X2 VITON	CILYND HEAD O-RING 64 X 2 VITON	JUNTA TORICA CULATA 64 X 2 VITON
11	M040	0200	0200	0200	AIGUILLES 4X9.8 NRB	NEEDL 4X9.8 NRB	AGUJA 4X9.8 NRB
12	M041	3136	3136	3136	JOINT BOITE CLAPET TR 11	REEDS CASE GASKET TR 11	JUNTA CAJA LAMINAS TR 11
13	R411	R022	R022	R022	CLAPET RECHANGE UNITEE	REED VALVE SET	LAMINAS RECAMBIO UNIT
14	C110	3287	3287	3287	COLLIER MIKALOR 44	COLLARD MIKALOR 44	ABRAZADERA MIKALOR 44
15	----	R213	R442	R215	JEUX SEG. 125CC 50712005600K4	SET RINGS 125CC 50712005600K4	JUEGO AROS 125CC 50712005600K4
16	M241	M241	M248	M248	CAGE AIGUILLE PIST. 125 KBK 16X20X20	NEEDLE BEARING KBK 125 16X20X20	JAULA AGUJAS PIST. 125KBK 16X20X20
17	M272	M272	M272	M272	ECROU EMBASE X8 0692	COLLAR HEX NUT M8	TUERCA CON VALONA M8
18	----	R219	R013	R221	AXE PISTON 125CC	PISTON PIN125CC	BULON PISTON 125CC
19	M252	3269	3269	3269	VIS CHC 5 X 20 0084	SCREW CHC 5 X 20	TORNILLO 5 X 20 ALLEN
20	1180	3186	3189	3189	JOINT EMBASE CYLIND. 125 WI 0.2mm	CILYNDER GASKET 125CC WI 0.2mm	JUNTA CILINDRO 125CC WI 0.2mm
21	1181	3187	3190	3190	JOINT EMBASE CYLIND. 125 WI 0.3mm	CILYNDER GASKET 125CC WI 0.3mm	JUNTA CILINDRO 125CC WI 0.3mm
22	1182	3188	3191	3191	JOINT EMBASE CYLIND. 125 WI 0.4mm	CILYNDER GASKET 125CC WI 0.4mm	JUNTA CILINDRO 125CC WI 0.4mm
23	-----	2390	2390	2390	RONDELLE CUIVRE 6 X 12 X 1.5	WASHER COPPER 6 X 12 X 1.5	ARANDELA COBRE 6 X 12 X 1.5
24	-----	2868	2859	2859	RACCORD PIPE ADMISION 1.25	CONEXION PIPE ADMISION 1.25	RACORD TOBERA CAJA LAMINAS 1.25
25	-----	C043	C043	C043	DURITE BOUCHON ESSENCE	PETROL TUBE	TUBO TAPON GASOLINA
26	-----	2846	2846	2846	COLLIER DURITE ESSENCE	COLLARD PETROL PIPE	ABRAZADERA TUBO GASOLINA
27	-----	NEW	NEW	NEW			

Carburateur / Carburetor / Carburador Ø26

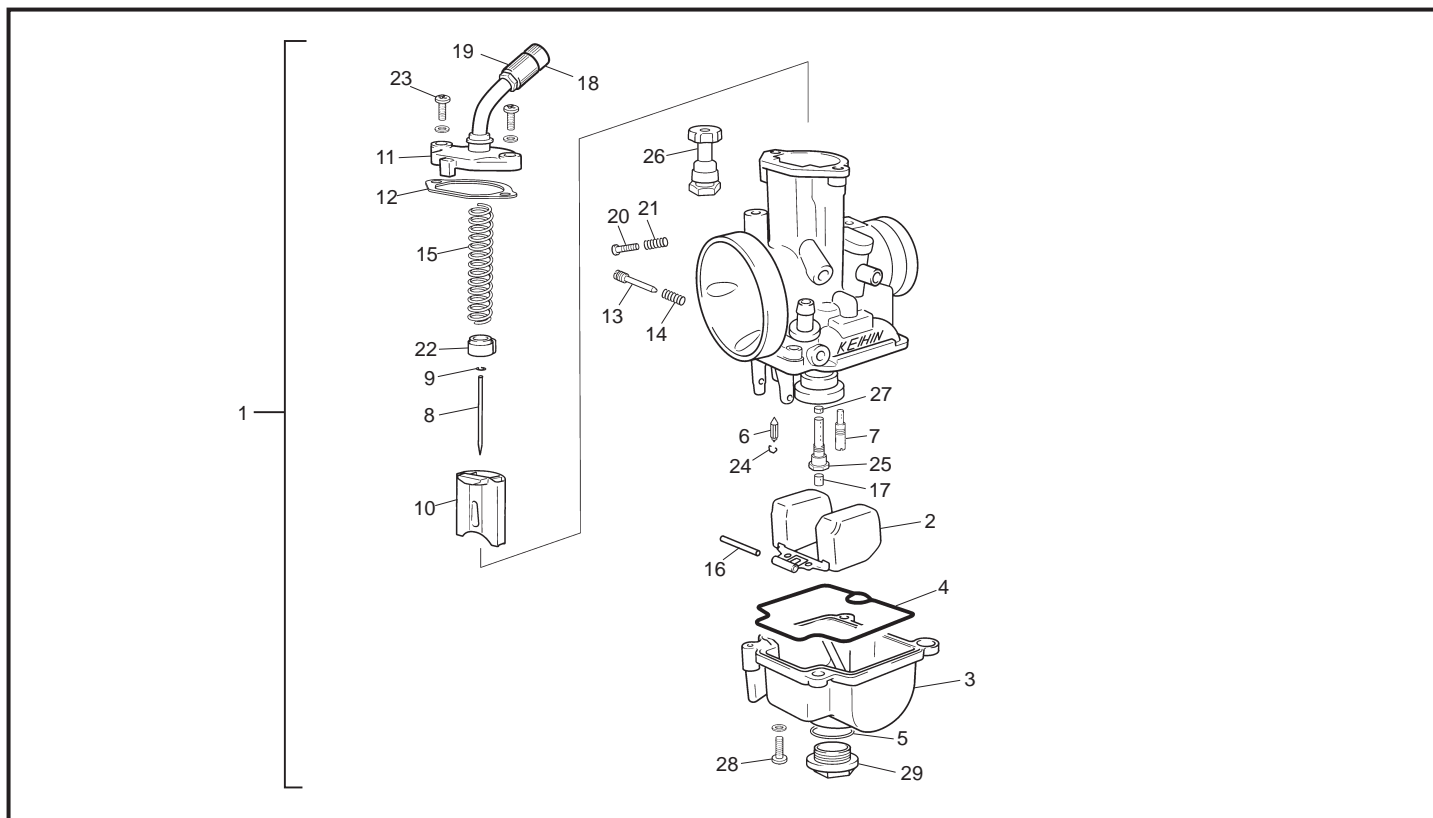


POS.	0.8	1.2	2.5	2.9	FRANÇAIS	ENGLISH	ESPAÑOL
1	R369	R369	R369	R369	KIT COUVERCLE BOISSEAU	CARBURATOR COVER	TAPA CARBURADOR
2	R370	R370	R370	R370	PLATINE DE RESSORT CARBU	CARBURATOR WASHER SPRING	ARANDELA TOPE AGUJA
3	R371	R371	R371	R371	CLIP AIGUILLE CARBU	CLIP AIGUILLE CARBU	CLIP AGUJA CARB.
4	R372	R372	R372	R372	AIGUILLE CARBU	AIGUILLE CARBU	AGUJA CARBU.
5	R373	R373	R373	R373	BOISSEAU	CARBURATOR VALVE	CAMPANA
6	R374	R374	R374	R374	PULVERISATEUR CARBU 270	CARBURATOR PULVERISATEUR 270	PULVERIZADOR CARBU 270
7	R375	R375	R375	R375	FLOTEUR DE CARBU	CARBURATOR FLOTEUR	BOYA CARBU
8	R376	R376	R376	R376	KIT VIS RGUL GAS CARBU	KIT SCREW REGUL GAS	TORNILLO RALENTI
9	R377	R377	R377	R377	KIT VIS REGUL ESSENCE CARBU	SCREW REGUL PETROL CARBU	TORNILLO AIRE
10	R378	R378	R378	R378	FILTRE ESS CARBU	PETROL FILTER CARBU	FILTRO GASOLINA CARBU
11	R379	R379	R379	R379	PIPETTE RACCORD TUBE ESS CARBU	CARBURATOR CONEXION PETROL TUB	PIPETA TUBO GASOLINA CARBU.
12	R380	R380	R380	R380	VIS PIPETTE CARBU	SCREW CONEXION PERTOL TUB	TORNILLO PIPETA
13	R381	R381	R381	R381	BALAN. DE FLOTEUR CARBU COMP.	BALANC. FLOTEUR CARBU COMPATIBLE	BALANCIN BOYA CARBU. COMPATIBLE
14	R382	R382	R382	R382	AXE BALANCIER FLOTEUR CARBU	PIN BALANCIER FLOTEUR CARBU	EJE BALANCIN FLOTADOR CARBU.
15	R383	R383	R383	R383	CUVE CARBURATEUR	CARBURATORCUVE	CUBA CARBURADOR
16	R384	R384	R384	R384	VIS FIXATION CUVE	SCREW FIXATION CUVE	TORNILLO CUBA CARBU
17	R385	R385	R385	R385	OBSOLETO VER R169 KIT JOINT CAR. 4T	CARBURATOR KIT SEEL 4T	KIT JUNTAS CARBURADOR 4T
18	R147	R147	R147	R147	GROUPE STARTER	CHOKE SET REPLACEMENT	CTO STARTER RECAMBIO
19	R140	-----	R140	R140	GICLEUR RALENTI 30	PILOT JET 30	CHICLE RALENT 30
19	R142	R142	R142	R142	GICLEUR RALENTI 32	PILOT JET 32	CHICLE RALENT 32
19	R143	R143	R143	R143	GICLEUR RALENTI 33	PILOT JET 33	CHICLE RALENTI 33
19	R144	R144	R144	R144	GICLEUR RALENTI 34	PILOT JET 34	CHICLE RALENTI 34
19	R145	R145	R145	R145	GICLEUR RALENTI 35	PILOT JET 35	CHICLE RALENTI 35
19	R146	R146	R146	R146	GICLEUR RALENTI 36	PILOT JET 36	CHICLE RALENTI 36
19	-----	R148	-----	-----	GICLEUR RALENTI 40	PILOT JET 40	CHICLE RALENTI 40
20	M044	M044	M044	M044	RESSORT CARBURATEUR	SPRING CARBURETOR	MUELLE CARBURADOR
21	R394	2389	2389	2389	POINTEAU CARBU 200	POINTEAU CARBU 200	VALVULA AGUJA 200
22	R237	R237	R237	R237	KIT TUBE CARBURATEUR	KIT TUB CARBURATEUR	CURVA GUIA CABLE
23		-----	R122	R122	GICLEUR PRINCIPAL 122	MAIN JET 122	CHICLE PRINCIPAL 122
23		NEW	-----	-----			
23	R120	R120	R120	R120	GICLEUR PRINCIPAL 120	MAIN JET 120	CHICLE PRINCIPAL 120
23	R121	R121	R121	R121	GICLEUR PRINCIPAL 121	MAIN JET 121	CHICLE PRINCIPAL 121
23	R123	R123	R123	R123	GICLEUR PRINCIPAL 123	MAIN JET 123	CHICLE PRINCIPAL 123
23	R124	R124	R124	R124	GICLEUR PRINCIPAL 124	MAIN JET 124	CHICLE PRINCIPAL 124

Carbureteur / Carburetor / Carburador Ø26



POS.	0.8	1.2	2.5	2.9	FRANÇAIS	ENGLISH	ESPAÑOL
23	R125	R125	R125	R125	GICLEUR PRINCIPAL 125	MAIN JET 125	CHICLE PRINCIPAL 125
23	R126	R126	R126	R126	GICLEUR PRINCIPAL 126	MAIN JET 126	CHICLE PRINCIPAL 126
23	R127	R127	R127	R127	GICLEUR PRINCIPAL 127	MAIN JET 127	CHICLE PRINCIPAL 127
23	R128	R128	R128	R128	GICLEUR PRINCIPAL 128	MAIN JET 128	CHICLE PRINCIPAL 128
23	R129	R129	R129	R129	GICLEUR PRINCIPAL 129	MAIN JET 129	CHICLE PRINCIPAL 129
23	R130	R130	R130	R130	GICLEUR PRINCIPAL 130	MAIN JET 130	CHICLE PRINCIPAL 130
24	M020	M020	M020	M020	CARBURETEUR COMPLET PHBL26BS	A CARBURETOR COMPLETE PHBL26BS	CARBURADOR COMPLETO PHBL26BS
25	1251	1251	1251	1251	ROND. AIGUILLE CARBU 2.9 3X6X0,50	WASHER PLAINCARBU 2.9 3X6X0,50	ARANDELA AGUJA CARBU 2.9 3X6X0,50
26	4000	4000	4000	4000	RONDELLE PAPIER 6 X 10 X 1	WASHER PAPER 6 X 10 X 1	ARANDELA PAPEL 6 X 10 X 1
27	4006	4006	4006	4006	JOINT TORIQUE 27.5X31.5X2 NBR	O-RING 27.5X31.5X2 NBR	JUNTA TORICA 27.5X31.5X2 NBR

Carburateur / Carburetor / Carburador KEIHIN


POS.	1.2	2.5	2.9	FRANÇAIS	ENGLISH	ESPAÑOL
24	----	----	1349	CLIP VALVE KEIHIN	CLIP FLOAT VALVE KEIHIN	CLIP VÁLVULA KEIHIN
25	----	----	1360	PULVERISATEUR INFÉRIEUR	LOWER SPRAYER	PULVERIZADOR INFERIOR
26	----	----	1329	GROUPE STARTER KEIHIN	CHOKE SET REPLACEMENT KEIHIN	CTO. ESTÁRTER RECAMBIO KEIHIN
27	----	----	1361	NEEDLE JET HOLDER	NEEDLE JET HOLDER	NEEDLE JET HOLDER
28	----	----	1350	VIS FIXATION CUVE KEIHIN	SCREW FLOT KEIHIN	TORNILLO FIJACIÓN CUBA KEIHIN
29	----	----	1332	JOINT COVE CARBU. KEIHIN	FLOT CHAMBER GASKET	JUNTA CUBA CARBU. KEIHIN

SHERCO

Motorcycles



PLAY WITH GRAVITY

2012

SHERCO
www.sherco.com